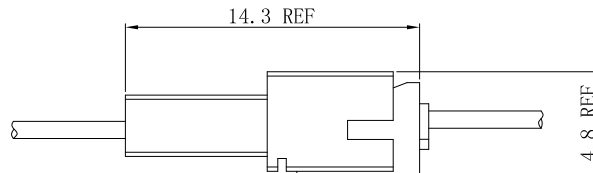


Specifications

- Voltage rating: 100V AC, DC
- Current Rating: 2A, AC, DC
- Withstand voltage: 800V AC/minute
- Contact resistance: 20mΩ max
- Insulation resistance: 1000MΩ min
- Temperature range: -25°C ~ +85°C
- Compliant with RoHS and REACH
- Contact JVT for details

Assembly layout



JVT1124 SERIES

2.0mm pitch wire to wire connector

JVT1124H

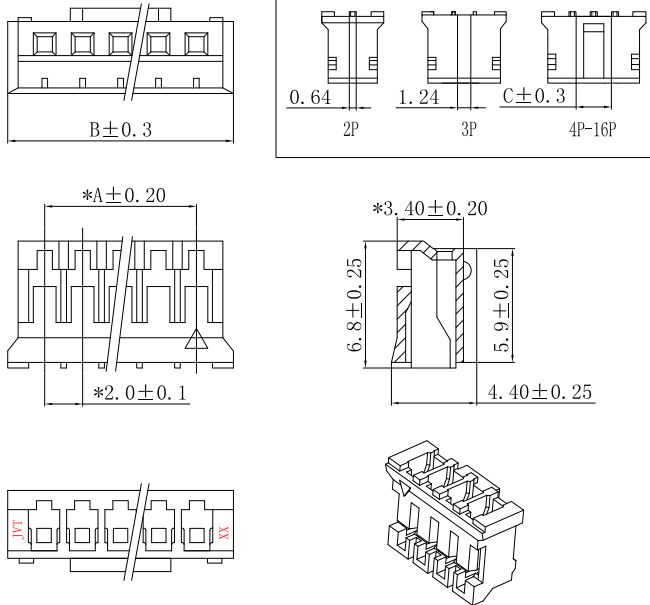
2.0mm Pitch housing

HOUSING

Part No.: JVT1124HNO-XX
Material: Nylon 66 UL94V-0
Mates With Part(s): JVT1124 Terminal

JVT1124HNO-XX

Logo
Series NO.
Housing
Pin NO.
N0-PA66 UL94V-0



| Poles | Dimension (mm) | | |
|-------|----------------|-------|------|
| | A | B | C |
| 02 | 2.00 | 5.80 | — |
| 03 | 4.00 | 7.80 | — |
| 04 | 6.00 | 9.80 | 3.3 |
| 05 | 8.00 | 11.80 | 5.3 |
| 06 | 10.00 | 13.80 | 7.3 |
| 07 | 12.00 | 15.80 | 9.3 |
| 08 | 14.00 | 17.80 | 11.3 |
| 09 | 16.00 | 19.80 | 13.3 |
| 10 | 18.00 | 21.80 | 15.3 |
| 11 | 20.00 | 23.80 | 17.3 |
| 12 | 22.00 | 25.80 | 19.3 |
| 13 | 24.00 | 27.80 | 21.3 |
| 14 | 26.00 | 29.80 | 23.3 |
| 15 | 28.00 | 31.80 | 25.3 |
| 16 | 30.00 | 33.80 | 27.3 |

Unit:mm

JVT1124H

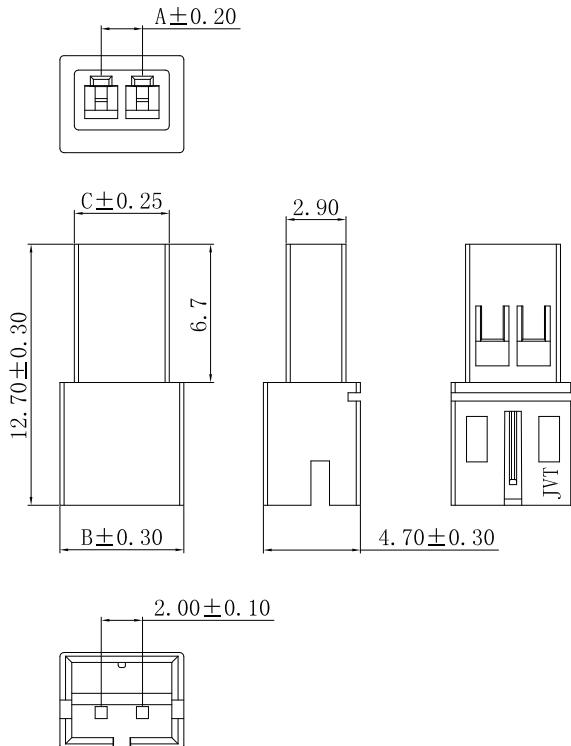
2.0mm Pitch housing

HOUSING

Part No.: JVT1124HNO-XXW
Material: Nylon 66 UL94V-0
Mates With Part(s): JVT1124 Terminal

JVT1124HNO-XXW

Logo
Series NO.
Housing
W-Female HSG
Pin NO.
PA66 UL94V-0



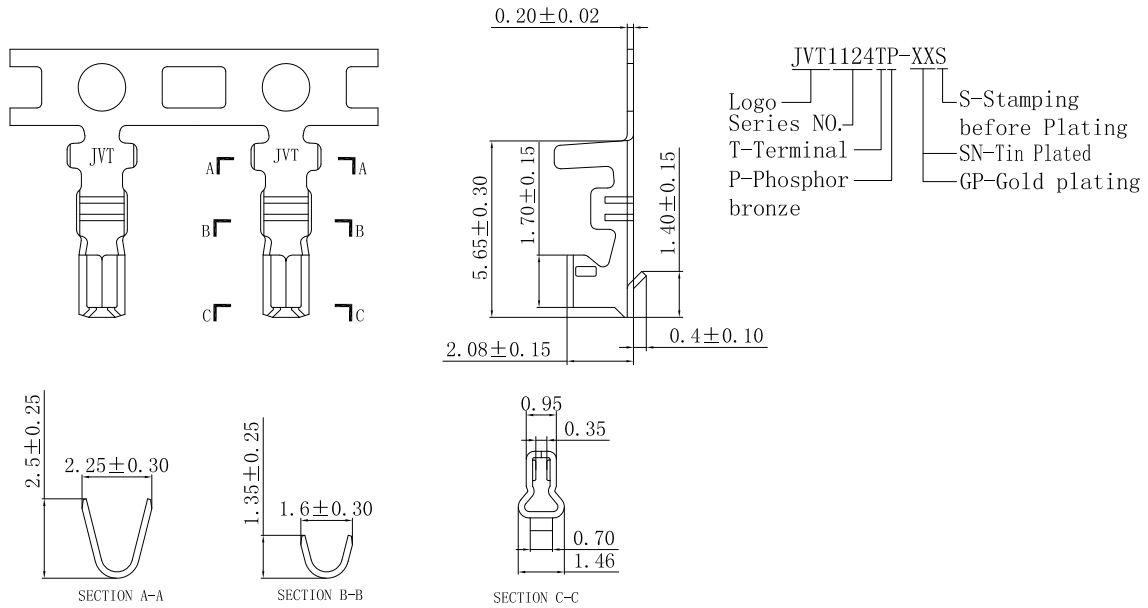
| Poles | Dimension (mm) | | |
|-------|----------------|-------|------|
| | A | B | C |
| 02 | 2.00 | 6.0 | 4.6 |
| 03 | 4.00 | 8.0 | 6.6 |
| 04 | 6.00 | 10.0 | 8.6 |
| 05 | 8.00 | 12.00 | 10.6 |
| 06 | 10.00 | 14.00 | 12.6 |
| 07 | 12.00 | 16.00 | 14.6 |
| 08 | 14.00 | 18.00 | 16.6 |
| 09 | 16.00 | 20.00 | 18.6 |
| 10 | 18.00 | 22.00 | 20.6 |
| 11 | 20.00 | 24.00 | 22.6 |
| 12 | 22.00 | 26.00 | 24.6 |

Unit:mm

JVT1124 SERIES

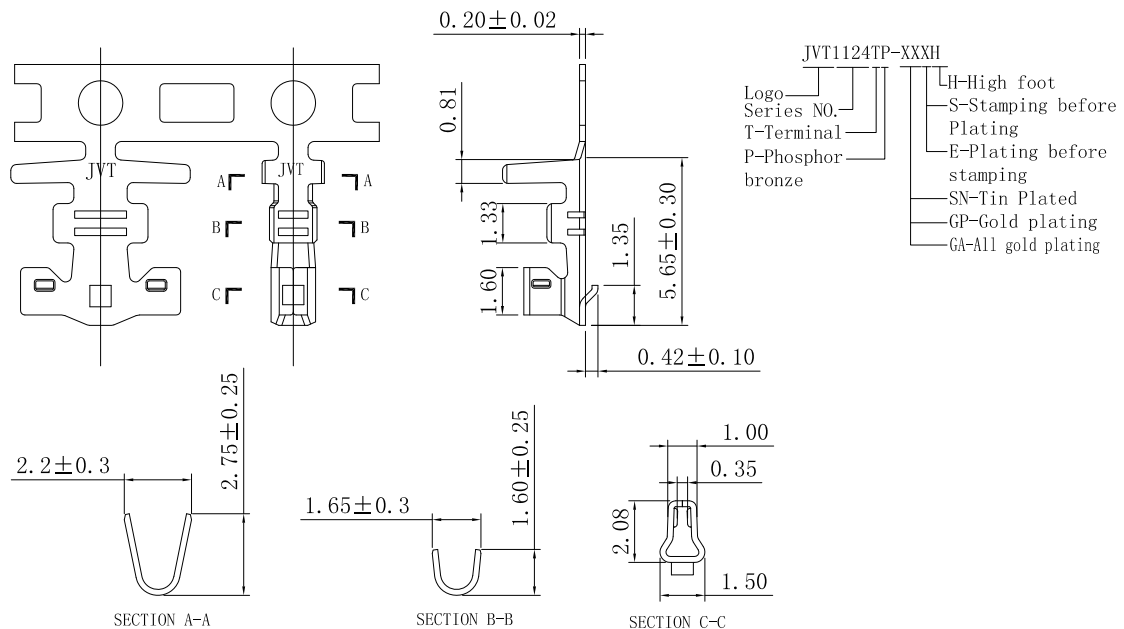
2.0mm pitch wire to wire connector

JVT1124T — 2.0mm Pitch Crimp Terminal



| | | | | | |
|---------------|-------------|-------------|------------|-----------------|--------------------|
| JVT1124TP-GPS | Phos Bronze | Half Gold | AWG#24~30 | 1.5mm(Max) | JVT1124 Housing |
| JVT1124TP-SNS | | Tin Plated | | | |
| PART NO | Material | Finish(Pin) | Wire Range | Insulation O.D. | Mates With Part(s) |

JVT1124T — 2.0mm Pitch Crimp Terminal



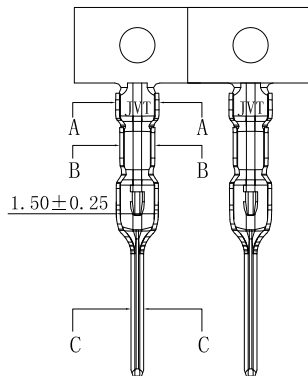
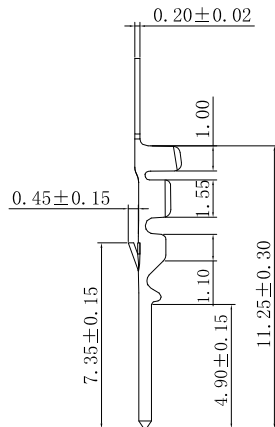
| | | | | | |
|----------------|-------------|-------------|------------|-----------------|--------------------|
| JVT1124TP-GASH | Phos Bronze | Gold plated | AWG#22~26 | 1.5mm(Max) | JVT1124 Housing |
| JVT1124TP-GPSH | | Half Gold | | | |
| JVT1124TP-SNSH | | Tin Plated | | | |
| PART NO | Material | Finish(Pin) | Wire Range | Insulation O.D. | Mates With Part(s) |

JVT1124 SERIES

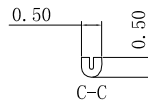
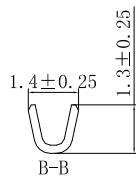
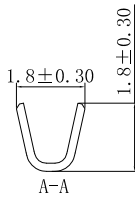
2.0mm pitch wire to wire connector

JVT1124T

2.0mm Pitch Crimp Terminal



JVT1124TP-SNSW
 Logo
 Series, NO
 T-Terminal
 P-Phosphorous
 S-Stamping after plating
 E-Plating after stamping
 SN-Tin plated
 The matching rubber shell is the mother rubber shell



| | | | | | |
|----------------|-------------|-------------|------------|-----------------|--------------------|
| JVT1124TP-SNSW | Phos Bronze | Tin Plated | AWG#26-30 | 1.1mm(Max) | JVT1124 Housing |
| PART NO | Material | Finish(Pin) | Wire Range | Insulation O.D. | Mates With Part(s) |