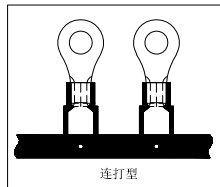
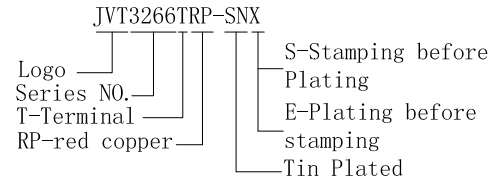
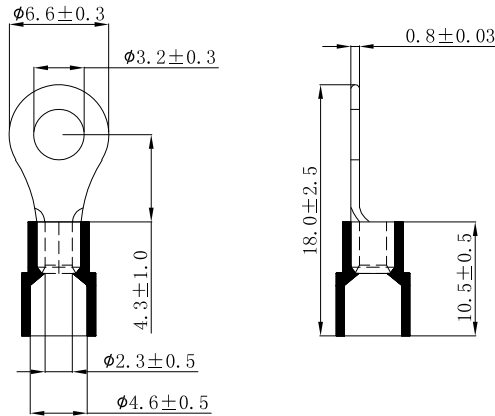


JVT3266T

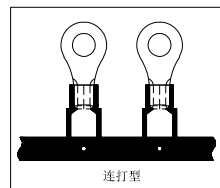
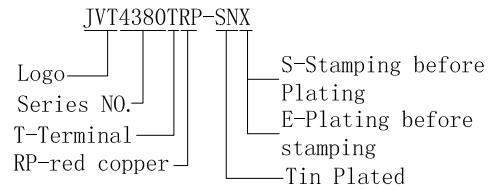
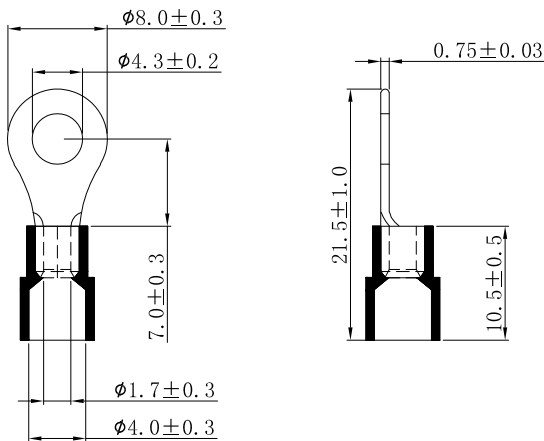
Insulation TER



JVT3266TRP-SNX	Red Copper	Tin-plated	16-14AWG	1.5~2.5mm ²	NA
PART NO	Material	Finish(Pin)	Wire Range	Insulation O.D.	Mates With Part(s)

JVT3760T

Insulation TER



JVT3760TB-SNX	Brass	Tin-plated	18-22awg	NA	NA
PART NO	Material	Finish(Pin)	Wire Range	Insulation O.D.	Mates With Part(s)