

JVT2541H

2.54mm pitch Short circuit cap connector

HOUSING

Part No. : JVT2541HPT-02XX-X

Material: PBT UL94V-0

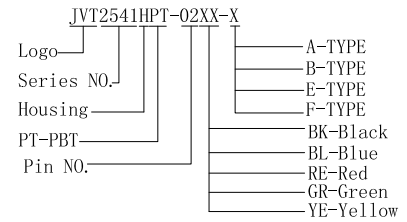
Mates With Part(s) : JVT2547 Wafer

A: 2.54mm H: 6.5mm CLOSE TYPE

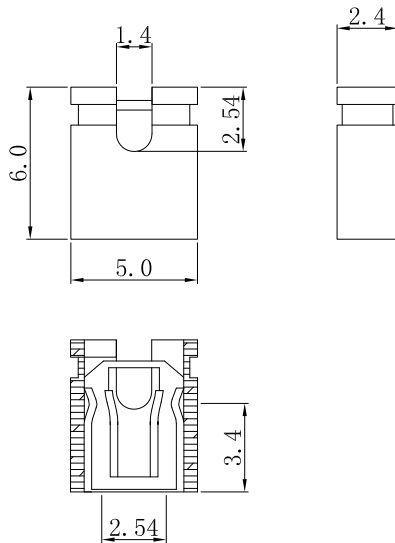
B: 2.54mm H: 6.0mm OPEN TYPE

E: 2.54mm H: 4.5mm OPEN TYPE

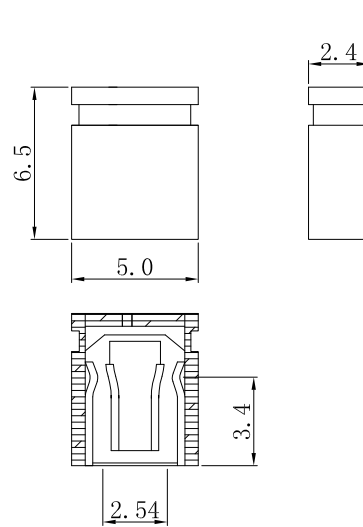
F: 2.54mm H: 13.5mm OPEN TYPE



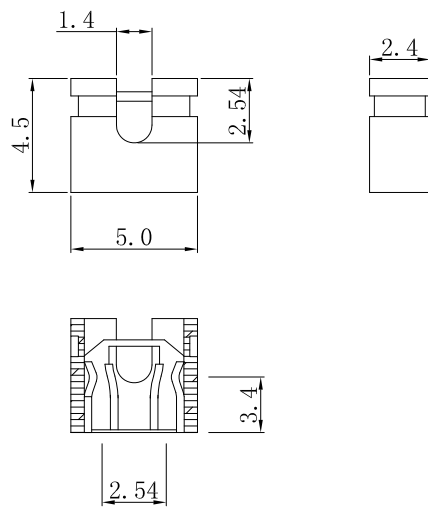
B-TYPE



A-TYPE



E-TYPE



F-TYPE

