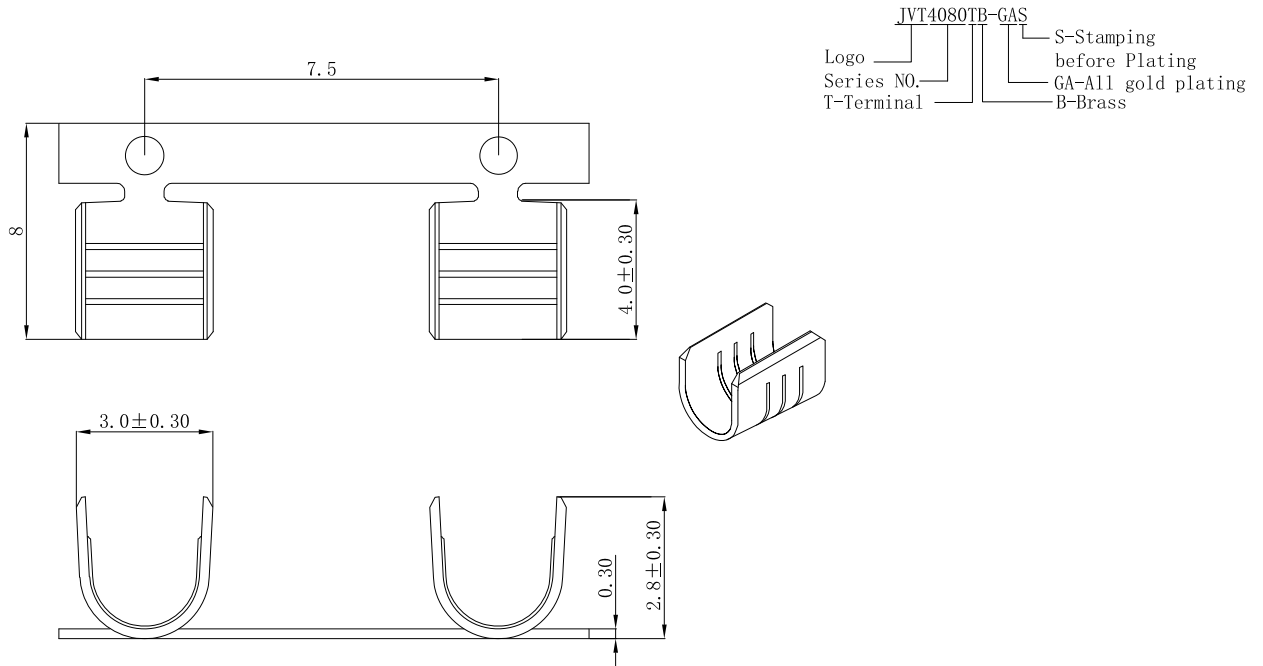


JVT4080/5090 SERIES Covered wire terminals

JVT4080T

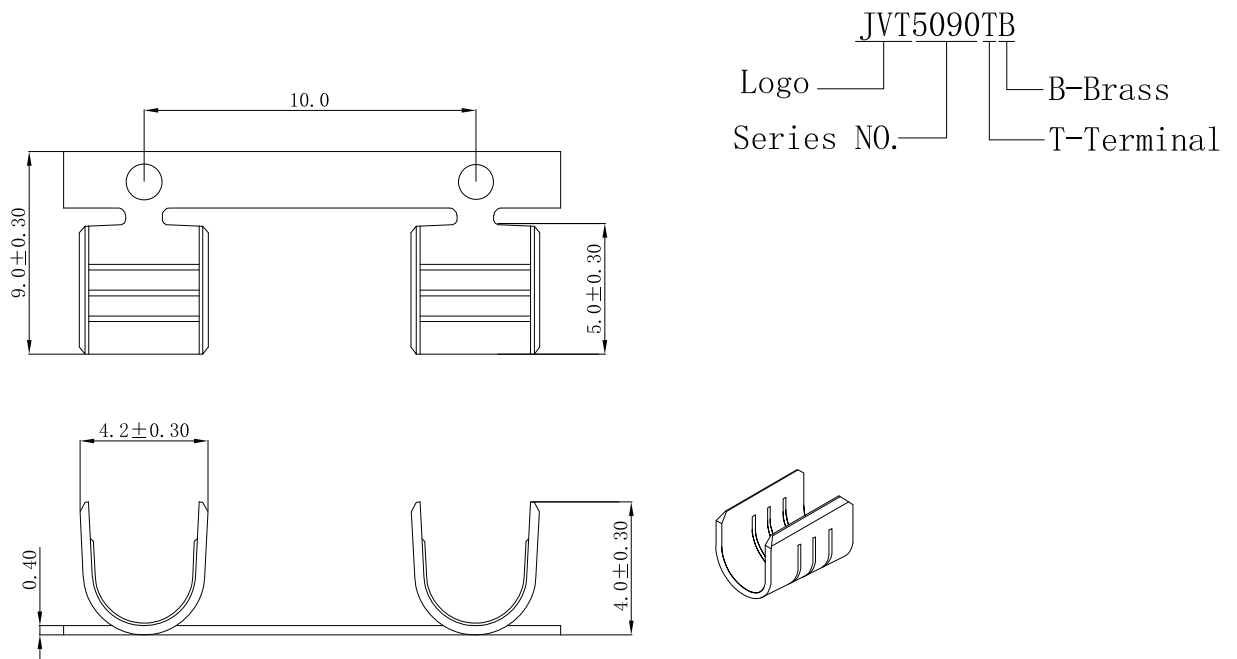
Covered wire terminals



JVT4080TB	Brass	All gold plating	AWG#18~24	2.80mmMAX	NA
PART NO	Material	Finish(Pin)	Wire Range	Insulation O.D.	Mates With Part(s)

JVT5090T

Covered wire terminals



JVT5090TB	Brass	NA	AWG#12~16	4.0mmMax	NA
PART NO	Material	Finish(Pin)	Wire Range	Insulation O.D.	Mates With Part(s)