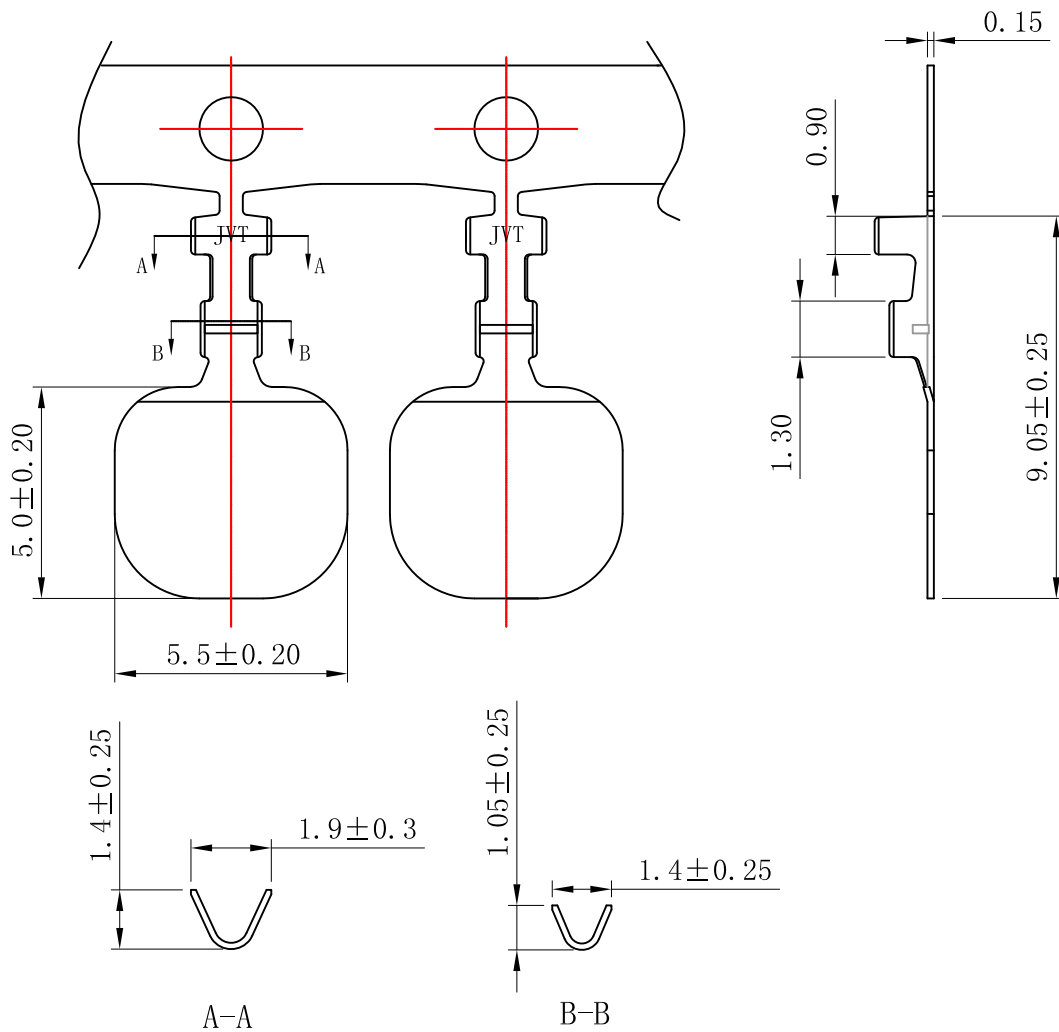


JVT5505T

5505 Soldering terminal

JVT5505TU3-NIE

Logo  
Series NO.  
T-Terminal  
E-Plating  
before stamping  
NI-Nickel plated  
SUS304



JVT5505TU3-NIE	SUS304	Nickel-plated	28AWG-32AWG	0.70mm MAX	NA
PART NO	Material	Finish(Pin)	Wire Range	Insulation O.D.	Mates With Part(s)