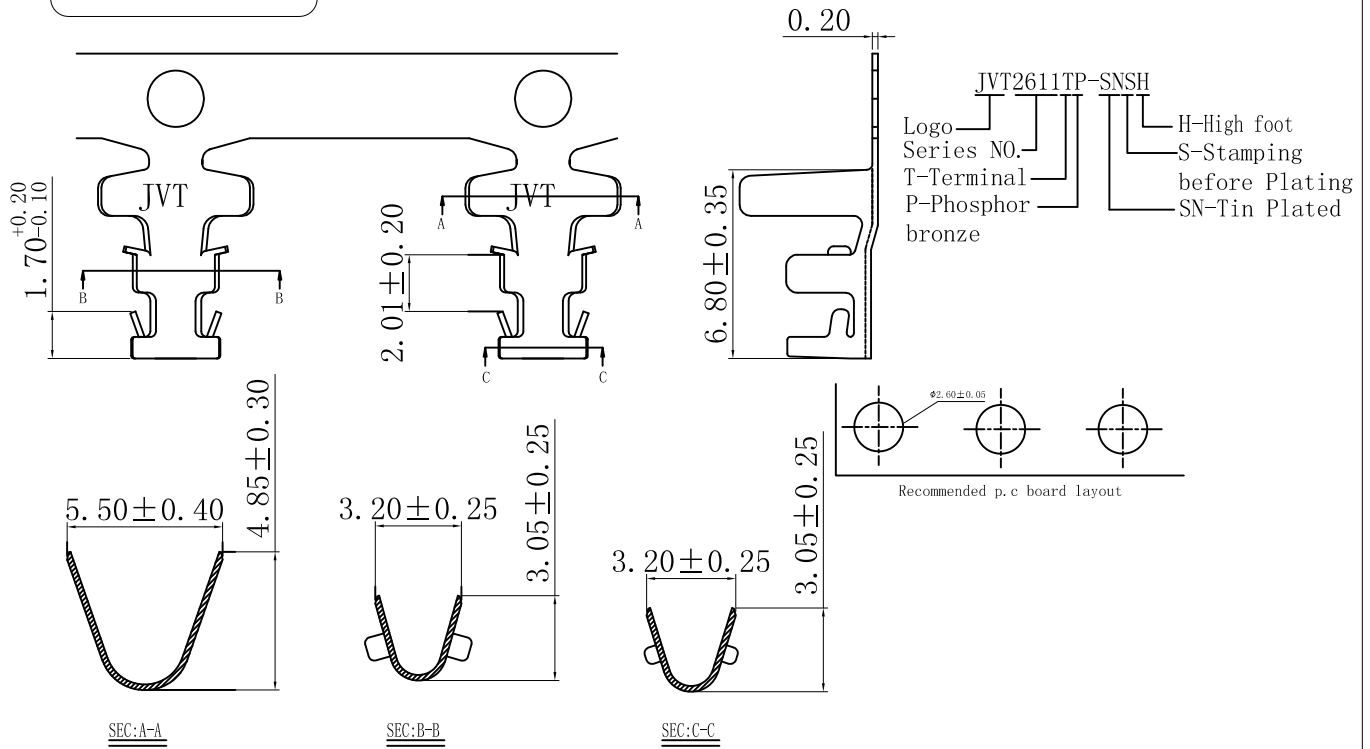
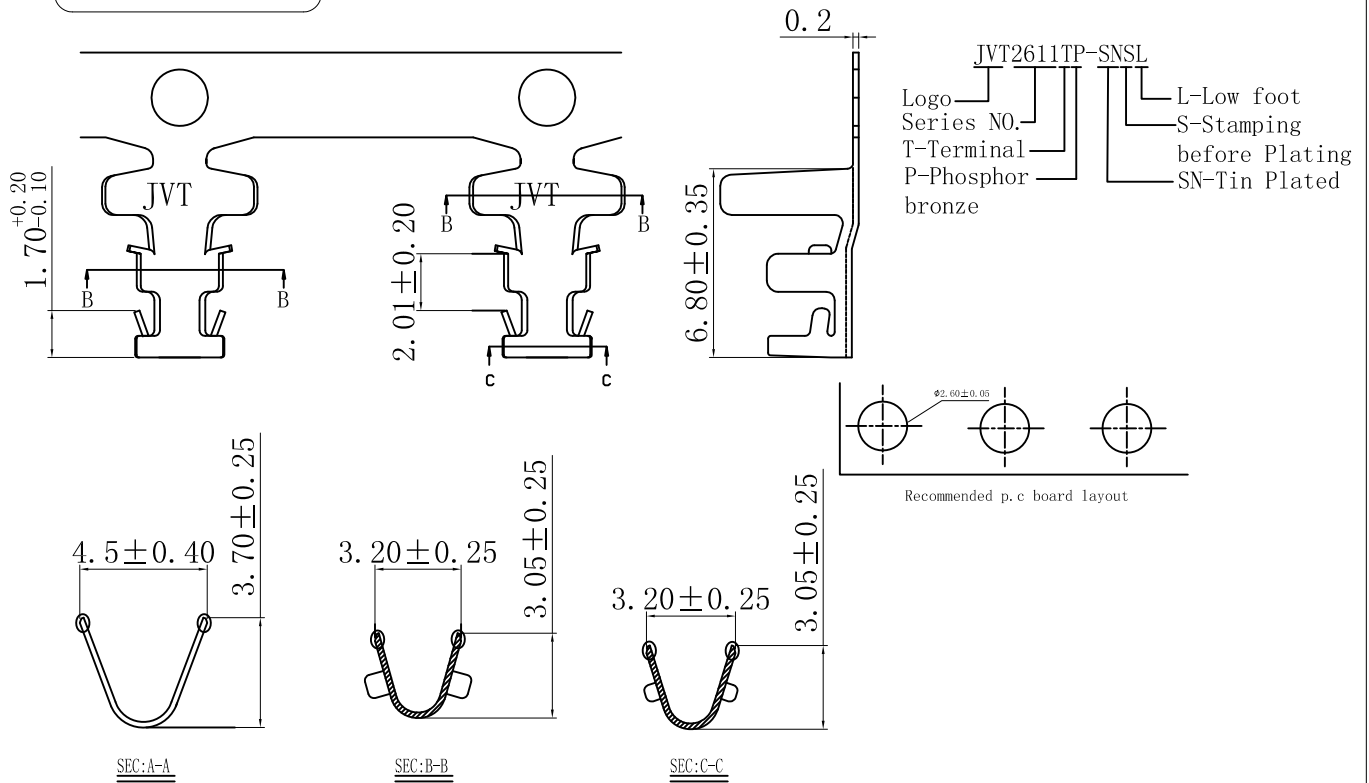


**JVT2611T** — 2611 Substrate terminal



JVT2611TP-SNSH	Phosphor	Tin-plated	12AWG-14AWG	3.80mm MAX	NA
PART NO	Material	Finish(Pin)	Wire Range	Insulation O.D.	Mates With Part(s)

**JVT1802T** — 1802 Substrate terminal



JVT2611TP-SNSL	Phosphor	Tin-plated	16AWG-18AWG	2.40mm MAX	NA
PART NO	Material	Finish(Pin)	Wire Range	Insulation O.D.	Mates With Part(s)