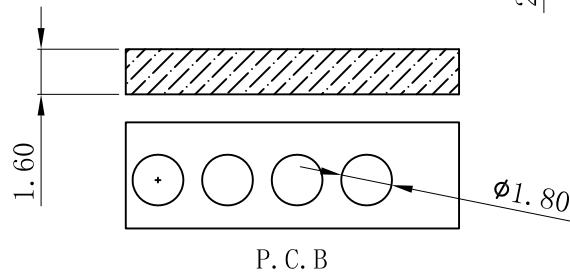
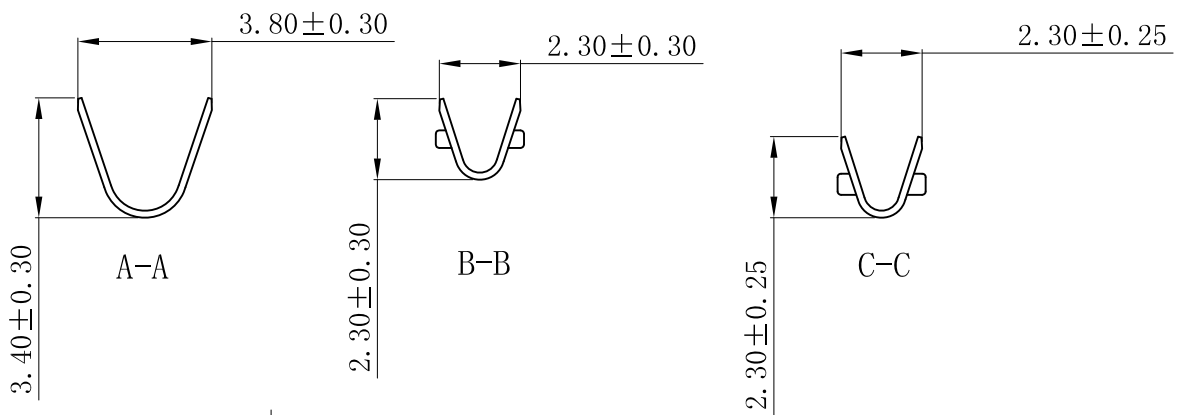
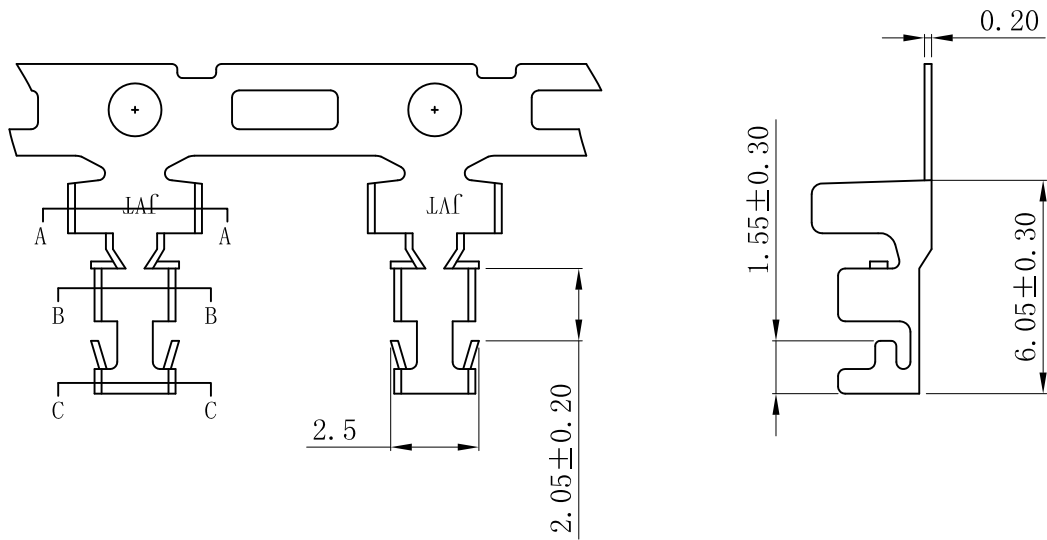


JVT1811T

1811 Substrate terminal

JVT1811TP-SNS-18  
 Logo  
 Series NO.  
 T-Terminal  
 P-Phosphor bronze  
 Plate hole  $\phi 1.80\text{mm}$   
 S-Stamping before Plating  
 SN-Tin Plated



JVT1811TP-SNS-18	Phosphor bronze	Tin Plated	18AWG-24AWG	2.10mm MAX	NA
PART NO	Material	Finish(Pin)	Wire Range	Insulation O.D.	Mates With Part(s)