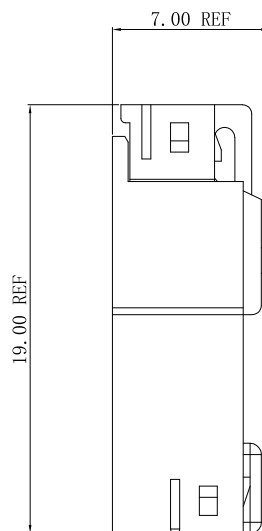


Specifications

- Voltage rating: 250V AC, DC
- Current Rating: 2.5A, AC, DC
- Withstand voltage: 1000V AC/minute
- Contact resistance: 20mΩ max
- Insulation resistance: 1000MΩ min
- Temperature range: -40°C ~ +105°C
- Compliant with RoHS and REACH
- Contact JVT for details

Assembly layout



JVT2075 SERIES

2.0mm pitch wire to wire connector

JVT2075H

2.0mm Pitch housing

HOUSING

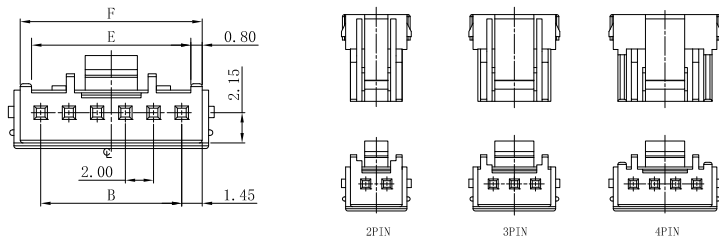
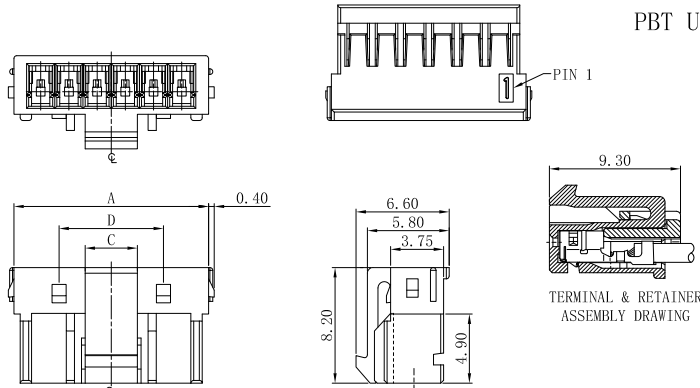
Part No. : JVT2075HPT-XXXXML

Material: PBT UL94V-0

Mates With Part(s): JVT2075 Terminal

JVT2075HPT-XXXXML

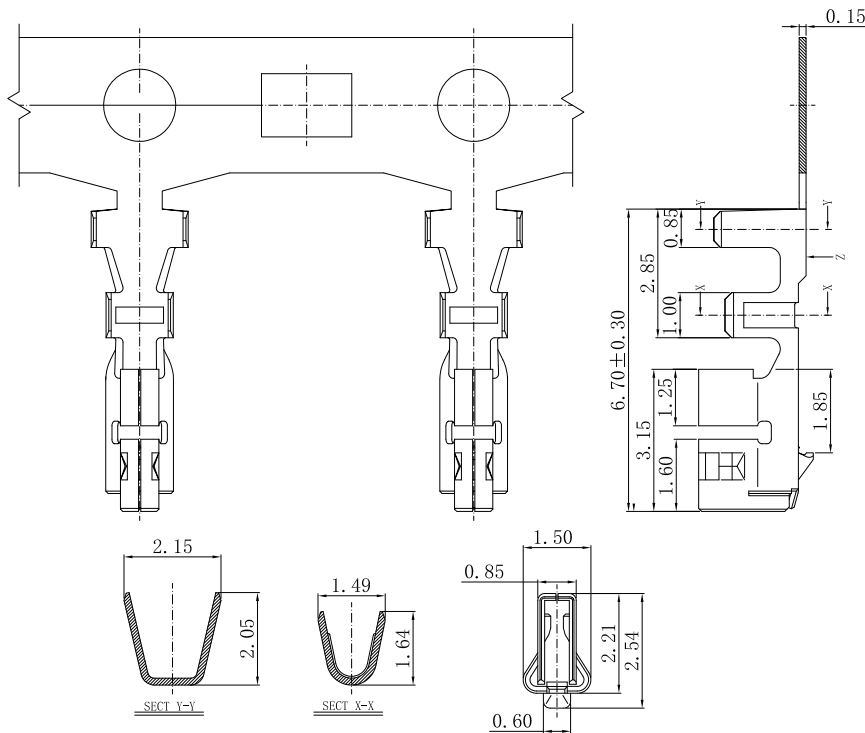
Logo
Series NO.
Housing
PBT UL94V-0
L-Lock
M-Male
Blank-Natural
BK-Black
RE-Red
YE-Yellow
BL-Blue
GR-Green
Pin NO.



CKT	A	B	C	D	E	F
2	5.8	2	2.2			4.9
3	7.8	4	3.7			6.9
4	9.8	6	3.7		7.3	8.9
5	11.8	8	3.7	7.4	9.3	10.9
6	13.8	10	3.7	7.4	11.3	12.9
7	15.8	12	3.7	7.4	13.3	14.9
8	17.8	14	3.7	7.4	15.3	16.9
9	19.8	16	3.7	7.4	17.3	18.9
10	21.8	18	3.7	7.4	19.3	20.9
11	23.8	20	3.7	7.4	21.3	22.9
12	25.8	22	3.7	7.4	23.3	24.9
13	27.8	24	3.7	7.4	25.3	26.9
14	29.8	26	3.7	7.4	27.3	28.9
15	31.8	28	3.7	7.4	29.3	30.9

JVT2075T

2.0mm Pitch Crimp Terminal



JVT2075TP-SNS	Phos Bronze	Tin Plated	AWG#22~28	1.50mm(Max)	JVT2075 HOUSING
PART NO	Material	Finish(Pin)	Wire Range	Insulation O.D.	Mates With Part(s)

JVT2075 SERIES

2.0mm pitch wire to wire connector

JVT2075H

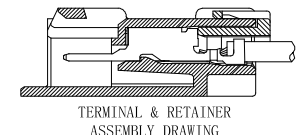
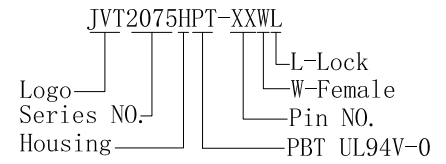
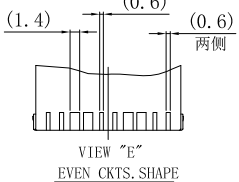
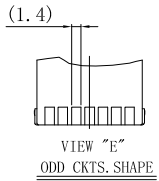
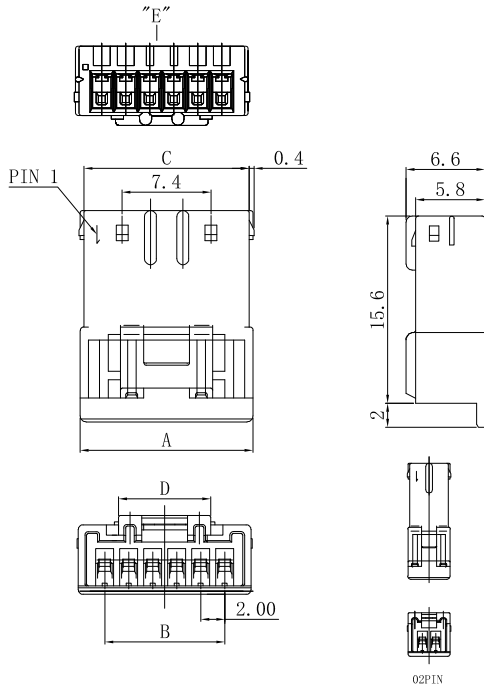
2.0mm Pitch housing

HOUSING

Part No. : JVT2075HPT-XXWL

Material: PBT UL94V-0

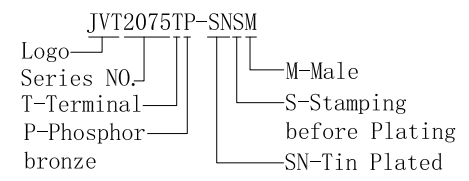
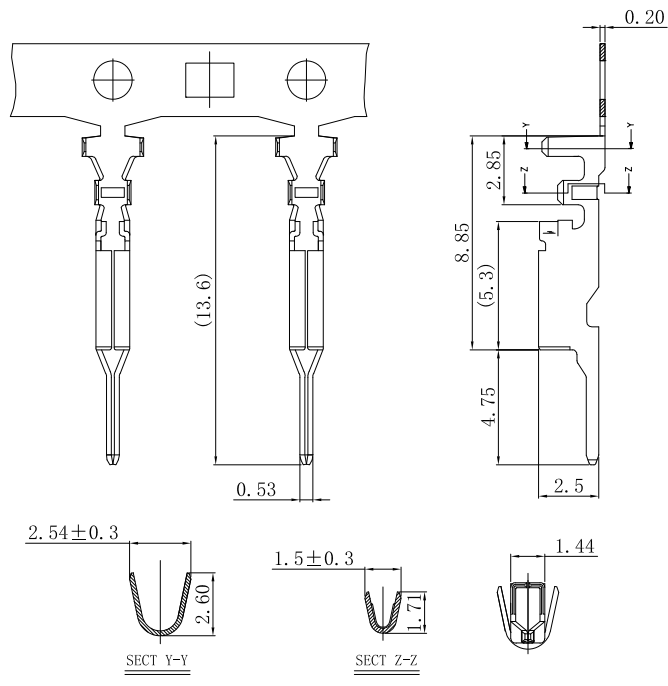
Mates With Part(s): JVT2075 Terminal



CKT	A	B	C	D
2	6.4	2	5.8	6.4
3	8.4	4	7.8	7.7
4	10.4	6	9.8	
5	12.4	8	11.8	
6	14.4	10	13.8	
7	16.4	12	15.8	
8	18.4	14	17.8	
9	20.4	16	19.8	
10	22.4	18	21.8	
11	24.4	20	23.8	
12	26.4	22	25.8	
13	28.4	24	27.8	
14	30.4	26	29.8	
15	32.4	28	31.8	

JVT2075T

2.0mm Pitch Crimp Terminal



JVT2075TP-SNSM	Phos Bronze	Tin Plated	AWG#22~28	1.50mm(Max)	JVT2075 HOUSING
PART NO	Material	Finish(Pin)	Wire Range	Insulation O.D.	Mates With Part(s)