

Specifications

- Voltage rating: 250V AC, DC
- Current Rating: 12A, AC, DC
- Withstand voltage: 1500V AC/minute
- Contact resistance: 20m Ω max
- Insulation resistance: 1000m Ω min
- Temperature range: -45 $^{\circ}$ C ~ +105 $^{\circ}$ C
- Compliant with RoHS and REACH
- Contact JVT for details

JVT6300H

6.3mm Pitch housing

HOUSING

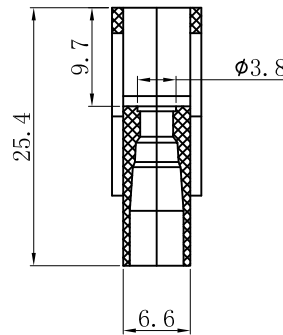
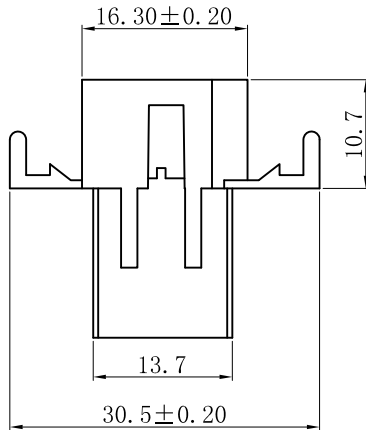
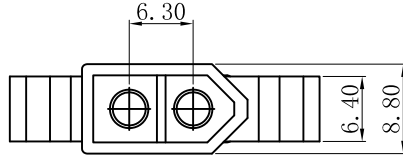
Part No. : JVT6300HN2-02WE

Material: Nylon 66 UL94V-2

Mates With Part(s): JVT6301 Terminal

JVT6300HN2-02WE

Logo
Series NO.
Housing
E-With ear
W-Female HSG
Pin NO.
N2-PA66 UL94V-2



JVT6300H

6.3mm Female HSG

HOUSING

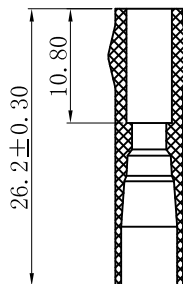
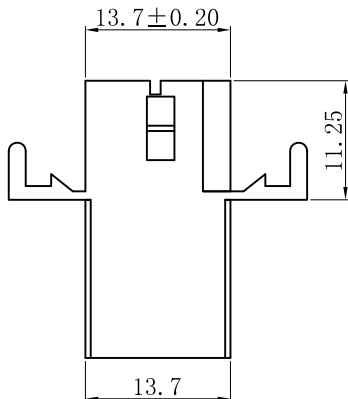
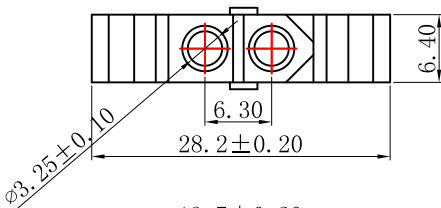
Part No. : JVT6301HN2-02ME

Material: Nylon 66 UL94V-2

Mates With Part(s): JVT6301 Terminal

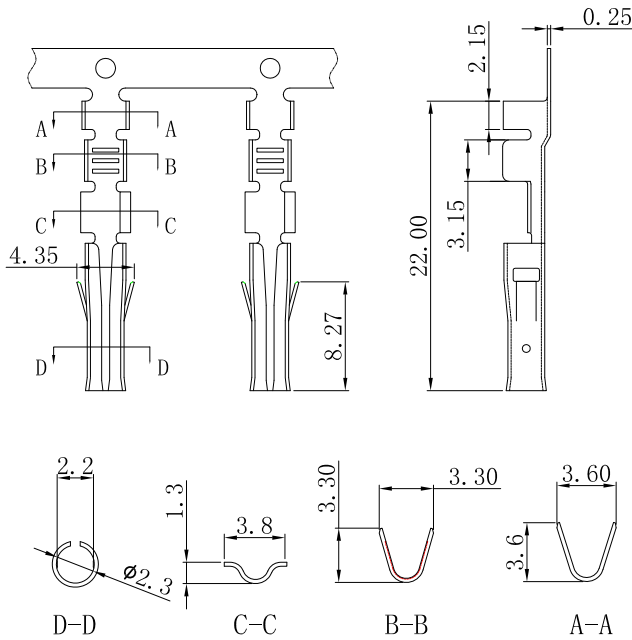
JVT6301HN2-02ME

Logo
Series NO.
Housing
E-With ear
M-Male HSG
Pin NO.
N2-PA66 UL94V-2



JVT6301T

6.3mm Pitch Crimp Terminal

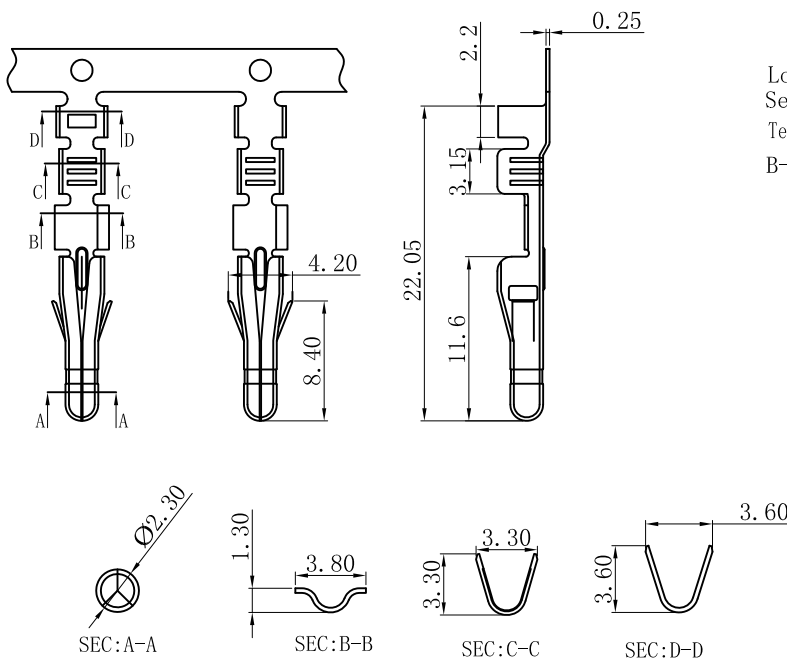


JVT6301TB-SNSM
 Logo
 Series NO.
 Terminal
 B-Brass
 With male HSG
 S-Stamping before Plating
 SN-Tin Plated

JVT6301TB-SNSM	Brass	Tin-plated	18-24AWG	2.6mmMax	JVT6301 Housing
PART NO	Material	Finish(Pin)	Wire Range	Insulation O.D.	Mates With Part(s)

JVT6301T

6.3mm Pitch Crimp Terminal



JVT6301TB-SNSW
 Logo
 Series NO.
 Terminal
 B-Brass
 With female HSG
 Stamping before Plating
 Tin Plated

JVT6301TB-SNSW	Brass	Tin-plated	18-24AWG	2.6mmMax	JVT6300 Housing
PART NO	Material	Finish(Pin)	Wire Range	Insulation O.D.	Mates With Part(s)