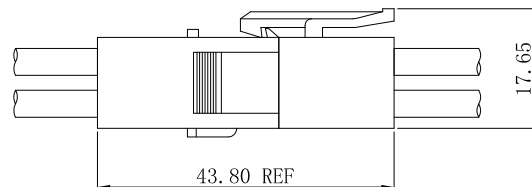
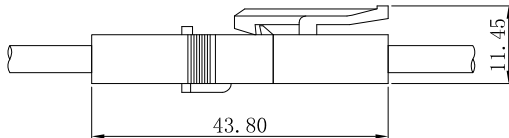


Specifications

- Voltage rating: 250V AC, DC
- Current Rating: 10A, AC, DC
- Withstand voltage: 1500V AC/minute
Contact resistance: 10mΩ max
Insulation resistance: 100MΩ min
- Temperature range: -40°C ~ +105°C
- Compliant with RoHS and REACH
- Contact JVT for details

Assembly layout



JVT2000 SERIES

6.2mm pitch wire to wire connector

JVT2000H

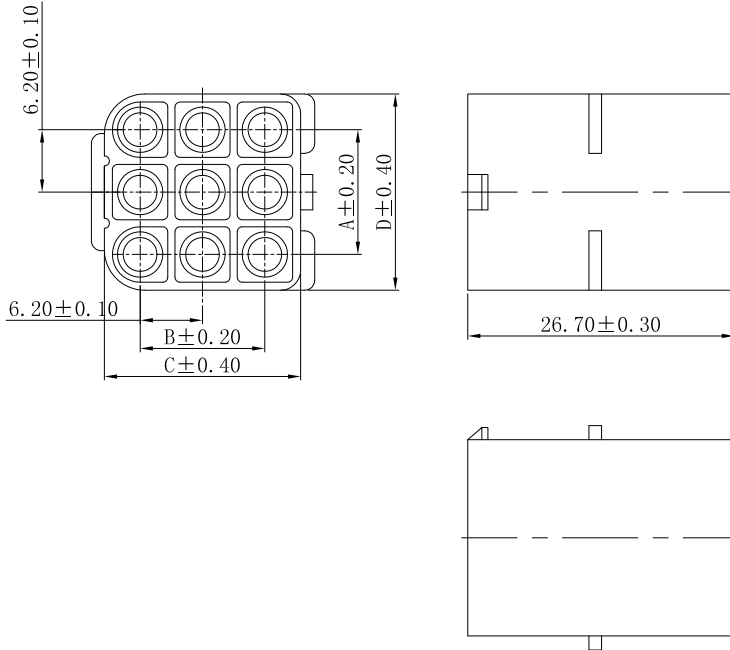
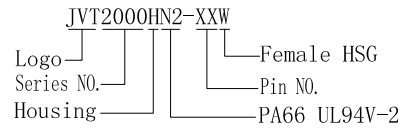
6.2mm Pitch housing

HOUSING

Part No. : JVT2000HN2-XXW

Material: Nylon 66 UL94V-2

Mates With Part(s) : JVT2000-W Terminal



Poles	A	B	C	D
2	6.2	-	7.2	13.4
3	12.4	-	7.2	19.6
4	6.2	6.2	13.4	13.4
6	12.4	6.2	13.4	19.6
9	12.4	12.4	19.6	19.6
12	18.6	12.4	19.6	25.8
15	24.8	12.4	19.6	32.0

JVT2000H

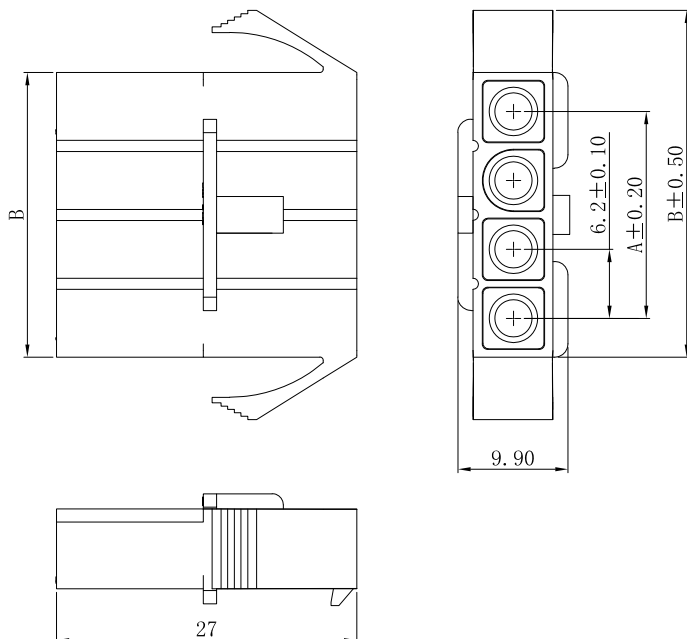
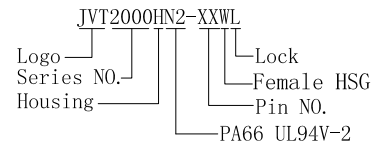
6.2mm Pitch housing

HOUSING

Part No. : JVT2000HN2-XXWL

Material: Nylon 66 UL94V-2

Mates With Part(s) : JVT2000-W Terminal



Poles	Dimensions (mm)	
	A	B
2	6.2	13.2
3	12.4	19.4
4	18.6	25.6

JVT2000 SERIES

6.2mm pitch wire to wire connector

JVT2000H

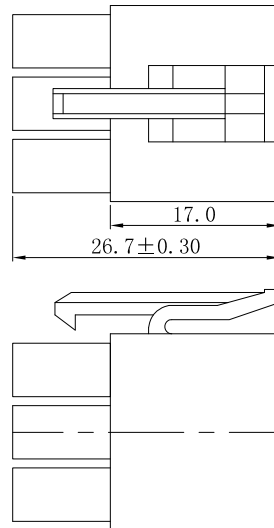
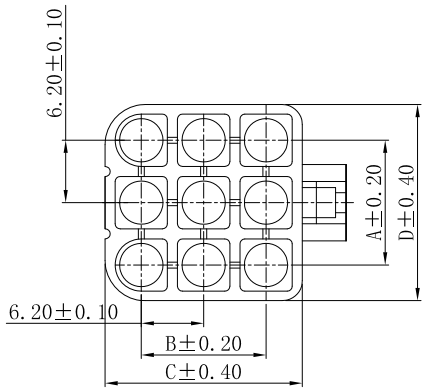
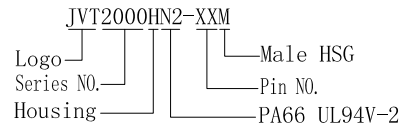
6.2mm Pitch housing

HOUSING

Part No.: JVT2000HN2-XXM

Material: Nylon 66 UL94V-2

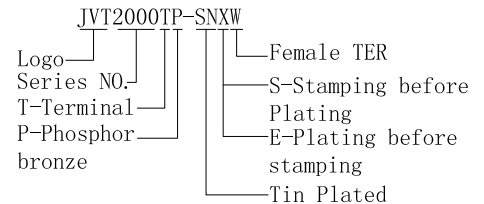
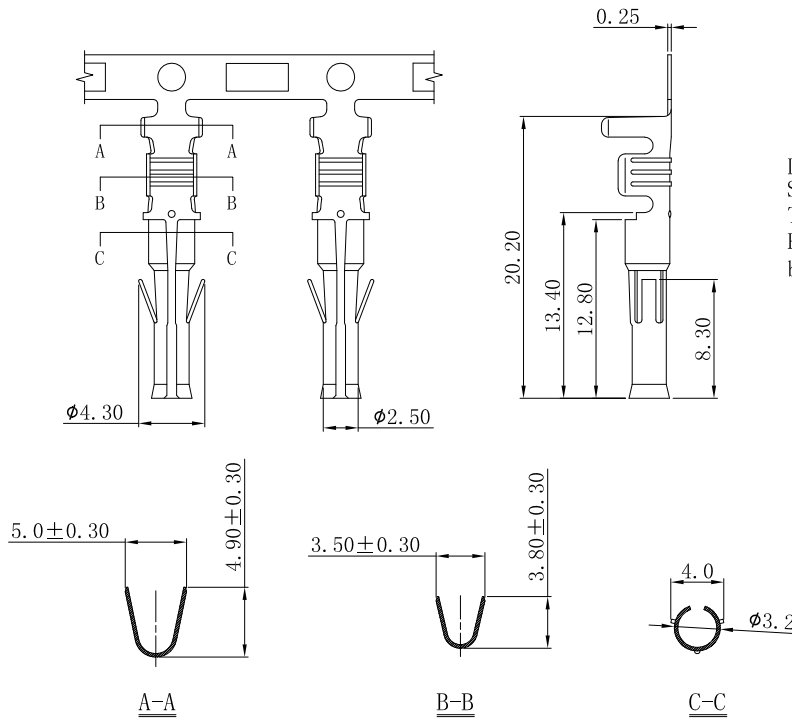
Mates With Part(s): JVT2000-M Terminal



Poles	A	B	C	D
2	6.2	-	7.2	13.4
3	12.4	-	7.2	19.6
4	6.2	6.2	13.4	13.4
6	12.4	6.2	13.4	19.6
9	12.4	12.4	19.6	19.6
12	18.6	12.4	19.6	25.8
15	24.8	12.4	19.6	32.0

JVT2000T-W

6.2mm Pitch Terminal



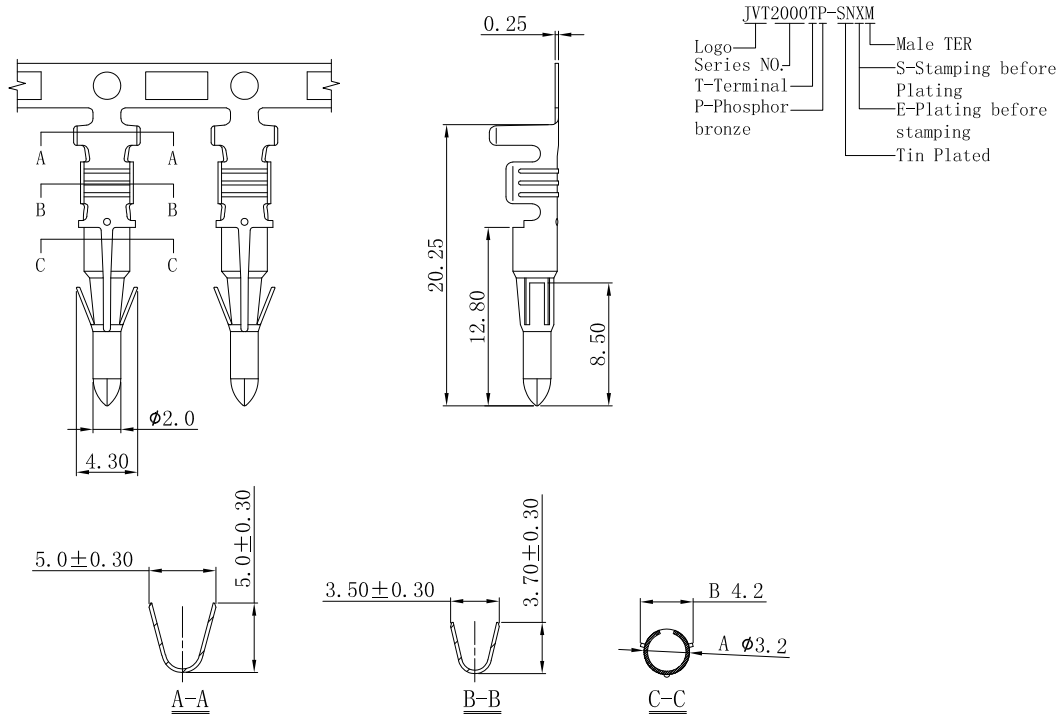
JVT2000TP-SNXW	Phos Bronze	Tin Plated	AWG#20-26	2.50mm(Max)	JVT2000-M HSG
PART NO	Material	Finish	Wire Range	Insulation O.D.	Mates With Part(s)

JVT2000 SERIES

6.2mm pitch wire to wire connector

JVT2000T-M

6.2mm Pitch Crimp Terminal



JVT2000TP-SNXM	Phos Bronze	Tin Plated	AWG#20~26	2.5mm(Max)	JVT2000-W HSG
PART NO	Material	Finish	Wire Range	Insulation O.D.	Mates With Part(s)