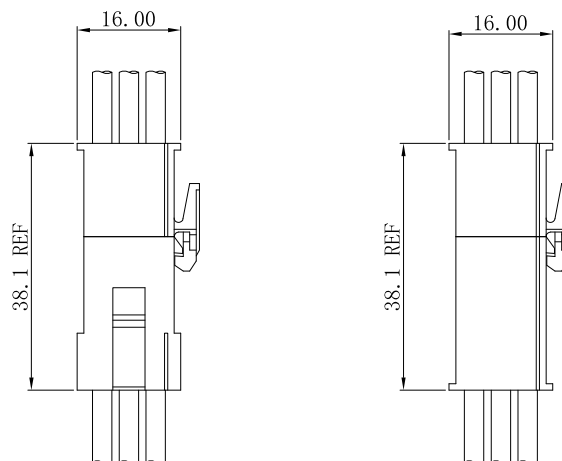


Specifications

- Voltage rating: 300V AC, DC
- Current Rating: 5A, AC, DC
- Withstand voltage: 1500V AC/minute
- Contact resistance: 20mΩ max
- Insulation resistance: 1000mΩ min
- Temperature range: -40°C ~ +105°C
- Compliant with RoHS and REACH
- Contact JVT for details

Assembly layout



WIRE TO WIRE

JVT23100/24100 SERIES 4.14mm pitch wire to wire connector

JVT23100H

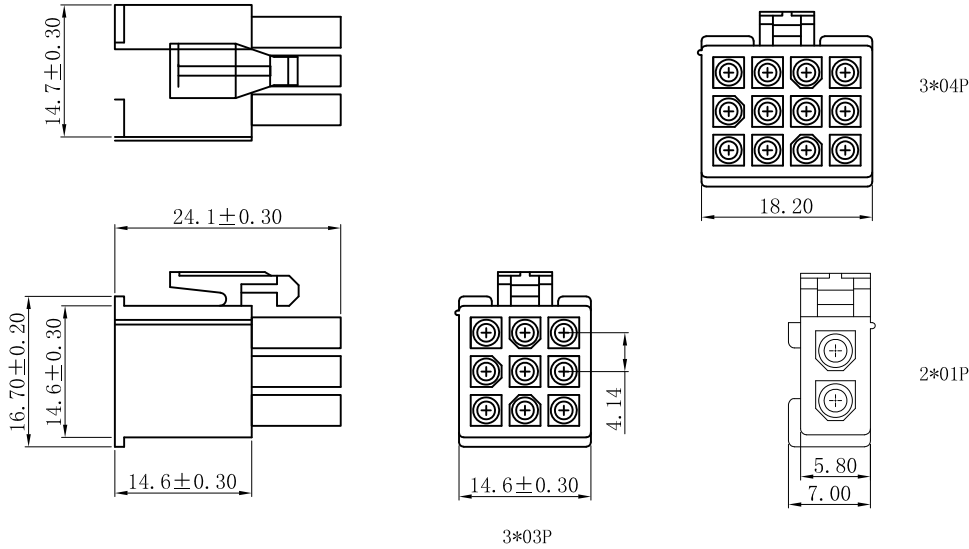
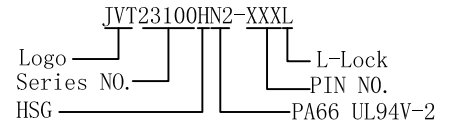
4.14mm pitch Housing

HOUSING

Part No. : JVT23100HN2-XXXL

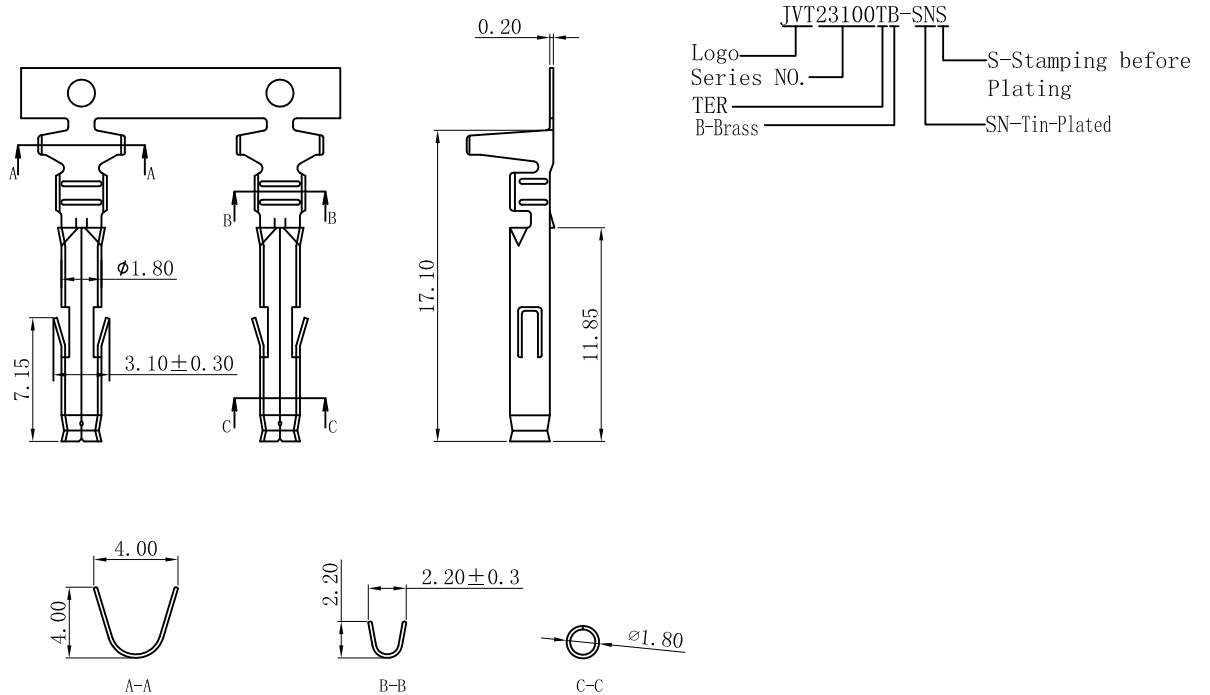
Material: Nylon 66 UL94V-2

Mates With Part(s): JVT23100 Terminal



JVT6350T

4.14mm Pitch Crimp Terminal



JVT23100TB-SNS	B-Brass	Tin-Plated	AWG#16~20	OD:3.1mm MAX	JVT23100H
PART NO	Material	Finish(Pin)	Wire Range	Insulation O.D.	Mates With Part(s)

JVT23100/24100 SERIES 4.14mm pitch wire to wire connector

JVT24100H

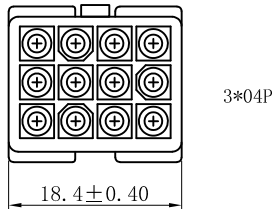
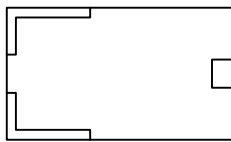
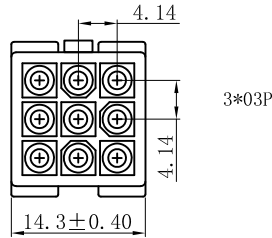
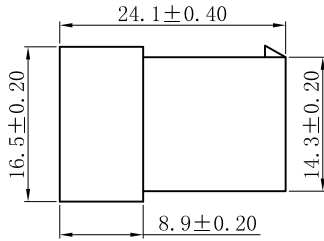
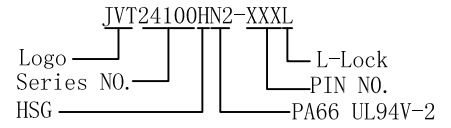
4.14mm pitch Housing

HOUSING

Part No. : JVT24100HN2-XXXL

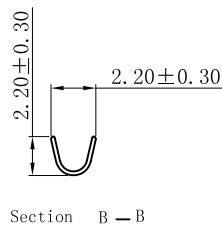
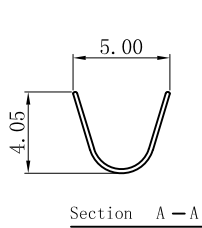
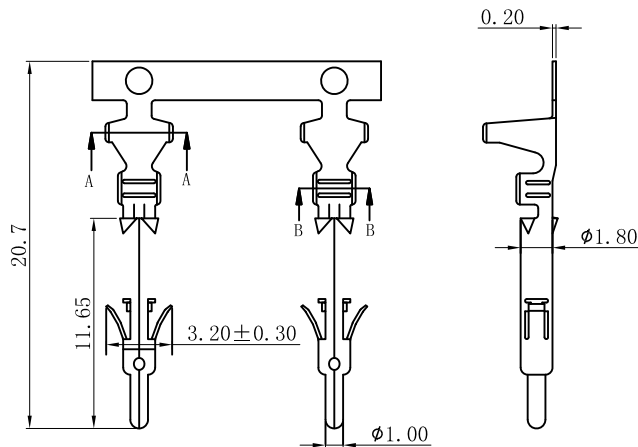
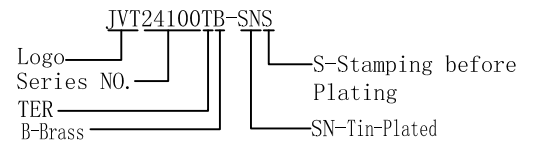
Material: Nylon 66 UL94V-2

Mates With Part(s): JVT24100 Terminal



JVT24100H

4.14mm Pitch Crimp Terminal



JVT24100TB-SNS	B-Brass	Tin-Plated	AWG#16~20	OD: 3.1mm MAX	JVT24100H
PART NO	Material	Finish(Pin)	Wire Range	Insulation O.D.	Mates With Part(s)