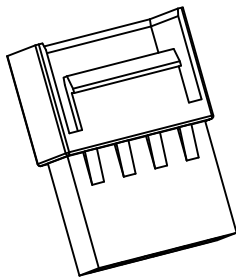
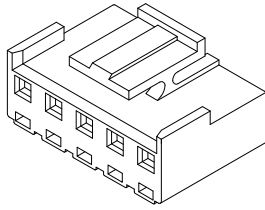


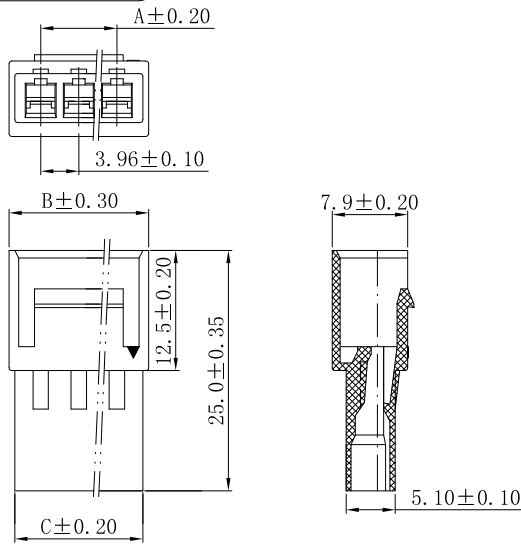
Specifications



- Voltage rating: 250V AC, DC
- Current Rating: 10A, AC, DC
- Withstand voltage: 1500V AC/minute
- Contact resistance: 20m Ω max
- Insulation resistance: 1000m Ω min
- Temperature range: -40 $^{\circ}$ C ~ +105 $^{\circ}$ C
- Compliant with RoHS and REACH
- Contact JVT for details

JVT1121H

3.96mm Pitch housing



JVT1121HXX-XXW
Logo
Series NO.
Housing
PA66 UL94V-0
PA66 UL94V-2
W-W-Female HSG
Pin NO.

Poles	Dimensions (mm)		
	A	B	C
2	3.96	10.54	9.34
3	7.92	14.50	13.30
4	11.88	18.46	17.26
5	15.84	22.42	21.22
6	19.80	26.38	25.18
7	23.76	30.34	29.14
8	27.72	34.30	33.10
9	31.68	38.26	37.06
10	35.64	42.22	41.02
11	39.60	46.18	44.98
12	43.56	50.14	48.94
13	47.52	54.10	52.90
14	51.48	58.06	56.86
15	55.44	62.02	60.82

JVT1121HN2-XXW	PA66 UL94V-2	JVT1121TP-SNS
JVT1121HN0-XXW	PA66 UL94V-0	JVT1121TP-SNS
PART NO	Material	Mates With Part(s)

JVT1121H

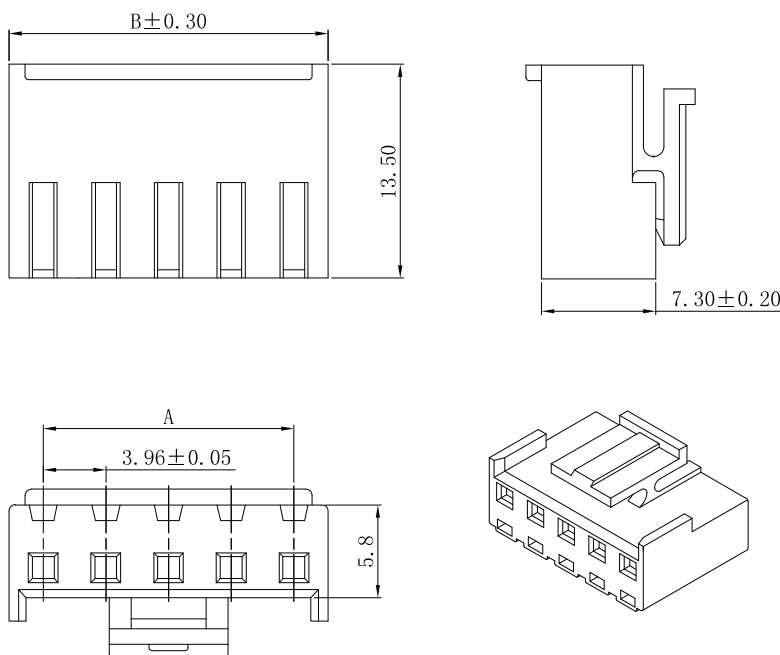
3.96mm Pitch housing

HOUSING

Part No. : JVT1121HN0-XX

Material: Nylon 66 UL94V-0

Mates With Part(s) : JVT1121 Terminal



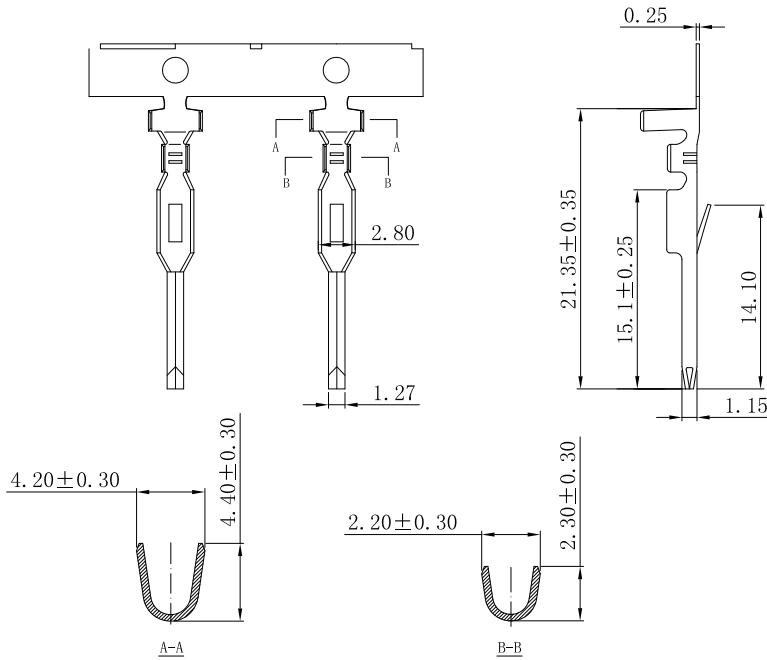
JVT1121HN0-XX
Logo
Series NO.
Housing
PA66 UL94V-0
Pin NO.

Poles	Dimensions (mm)	
	A	B
2	3.96	8.32
3	7.92	12.28
4	11.88	16.24
5	15.84	20.20
6	19.80	24.16
7	23.76	28.12
8	27.72	32.08
9	31.68	36.04
10	35.64	40.00
11	39.60	43.96
12	43.56	47.92
13	47.52	51.88
14	51.48	55.84
15	55.44	59.80
16	59.40	63.76

JVT1120/1121 SERIES 3.96mm pitch wire to wire connector

JVT1121TW

3.96mm Pitch Crimp Terminal

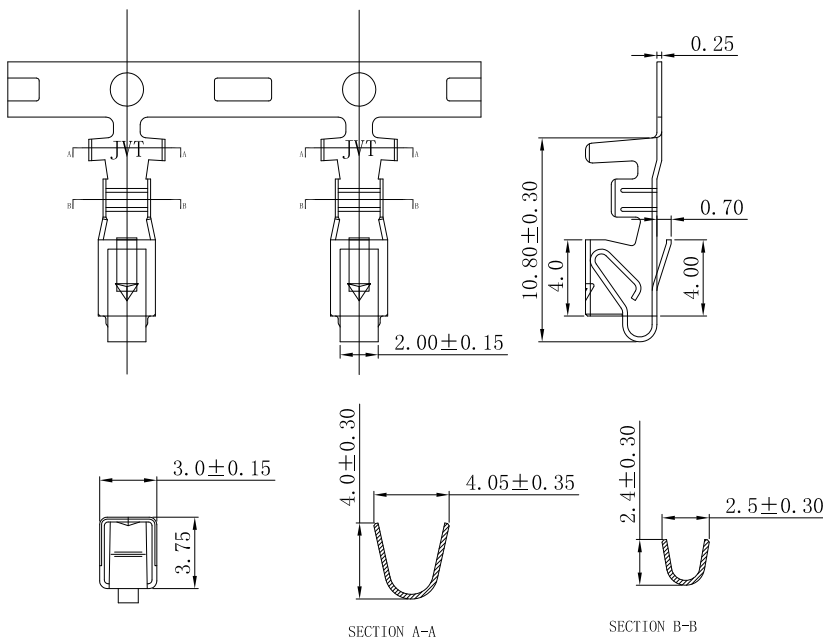


JVT1121TP-SNSW
Logo
Series NO.
T-Terminal
P-Phosphor
bronze
With Female HSG
S-Stamping
before Plating
SN-Tin Plated

JVT1121TP-SNS	Phos Bronze	Tin Plated	AWG#18-22	2.8mm(Max)	JVT1121 HOUSING
PART NO	Material	Finish(Pin)	Wire Range	Insulation O.D.	Mates With Part(s)

JVT1121T

3.96mm Pitch Crimp Terminal



JVT1121TP-SNS
Logo
Series NO.
T-Terminal
P-Phosphor
bronze
S-Stamping
before Plating
SN-Tin Plated

JVT1121TP-SNS	Phos Bronze	Tin Plated	AWG#18-22	2.8mm(Max)	JVT1121 HOUSING
PART NO	Material	Finish(Pin)	Wire Range	Insulation O.D.	Mates With Part(s)