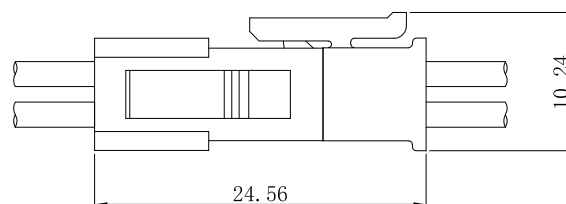
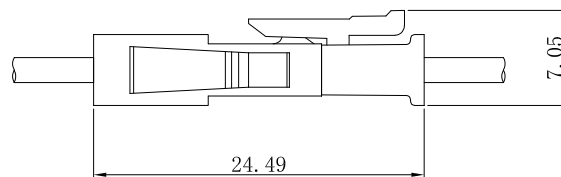


Specifications

- Voltage rating: 250V AC, DC
- Current Rating: 5A, AC, DC
- Withstand voltage: 1500V AC/minute
- Contact resistance: 20mΩ max
- Insulation resistance: 1000MΩ min
- Temperature range: -40°C ~ +105°C
- *Suitable JVT3025T series Terminal
JVT3026W series Wafer
- Compliant with RoHS and REACH
Contact JVT for details

Assembly layout



JVT3024H

3.0mm Pitch housing

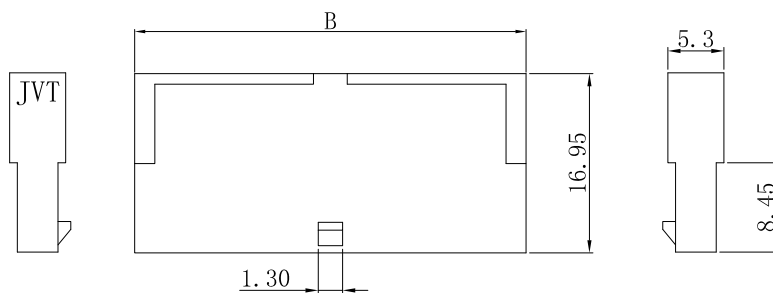
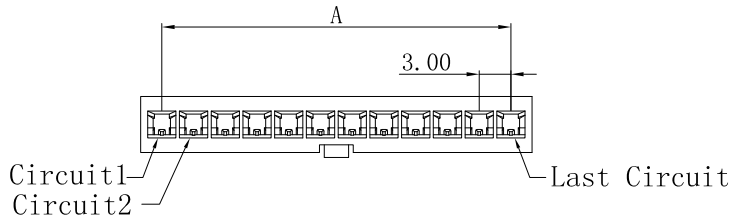
HOUSING

Part No. : JVT3024HN0-XXXX

Material: PA66 UL94V-0

Mates With Part(s): JVT3024 Terminal

JVT3024HN0-XXXX
 logo ———
 Series NO. ———
 Housing NO-PA66 ———
 No-natural color
 BK-Black
 Pin NO.



Poles	Dimensions (mm)	
	A	B
02	3.00	7.00
03	6.00	10.00
04	9.00	13.00
05	12.00	16.00
06	15.00	19.00
07	18.00	22.00
08	21.00	25.00
09	24.00	28.00
10	27.00	31.00
11	30.00	34.00
12	33.00	37.00

JVT3024H

3.0mm Pitch housing

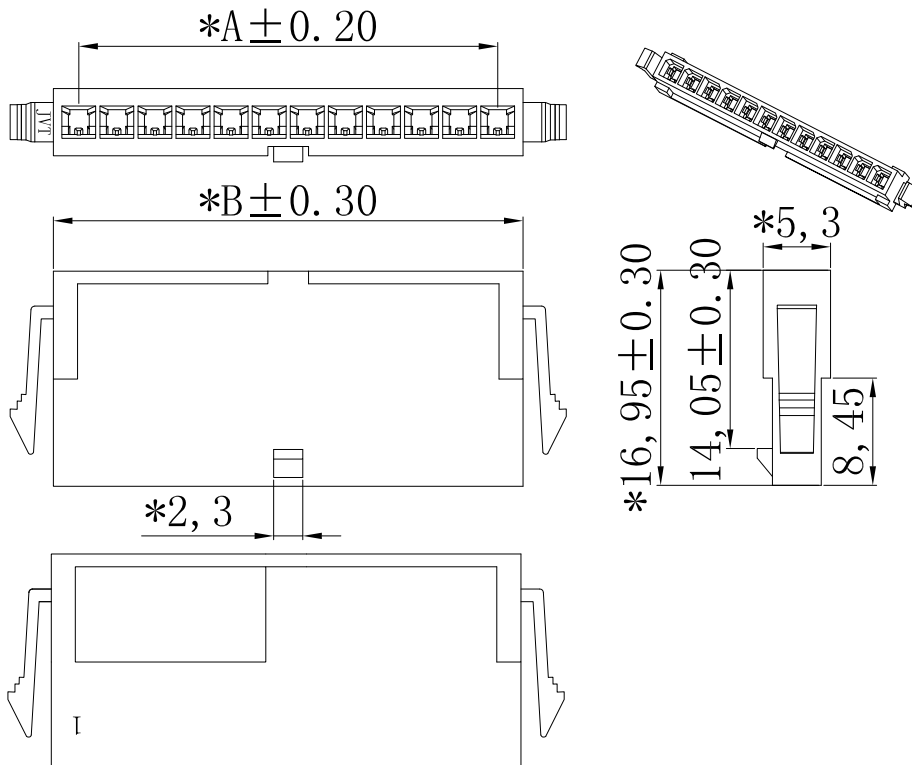
HOUSING

Part No. : JVT3024HN0-XXXXL

Material: PA66 UL94V-0

Mates With Part(s): JVT3024 Terminal

JVT3024HN0-XXXXL
 logo ———
 Series NO. ———
 Housing NO-PA66 ———
 Lock
 No-natural color
 BK-Black
 Pin NO.



Poles	Dimensions (mm)	
	A	B
02	3.00	7.00
03	6.00	10.00
04	9.00	13.00
05	12.00	16.00
06	15.00	19.00
07	18.00	22.00
08	21.00	25.00
09	24.00	28.00
10	27.00	31.00
11	30.00	34.00
12	33.00	37.00

JVT3024H

3.0mm Pitch housing

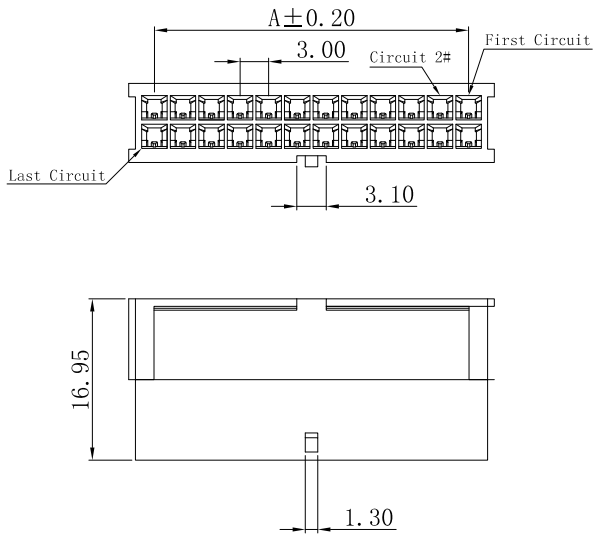
HOUSING

Part No. : JVT3024HNO-2*XX

Material: PA66 UL94V-0

Mates With Part(s):JVT3024 Terminal

JVT3024HNO-2*XX
 logo _____
 Series NO. _____
 Housing _____
 Pin NO. _____
 PA66 UL94V-0



Poles	Dimensions (mm)	
	A	B
2*01	----	4.0
2*02	3.00	7.0
2*03	6.00	10.0
2*04	9.00	13.0
2*05	12.00	16.0
2*06	15.00	19.0
2*07	18.00	22.0
2*08	21.00	25.0
2*09	24.00	28.0
2*10	27.00	31.0
2*11	30.00	34.0
2*12	33.00	37.0

JVT3024H

3.0mm Pitch housing

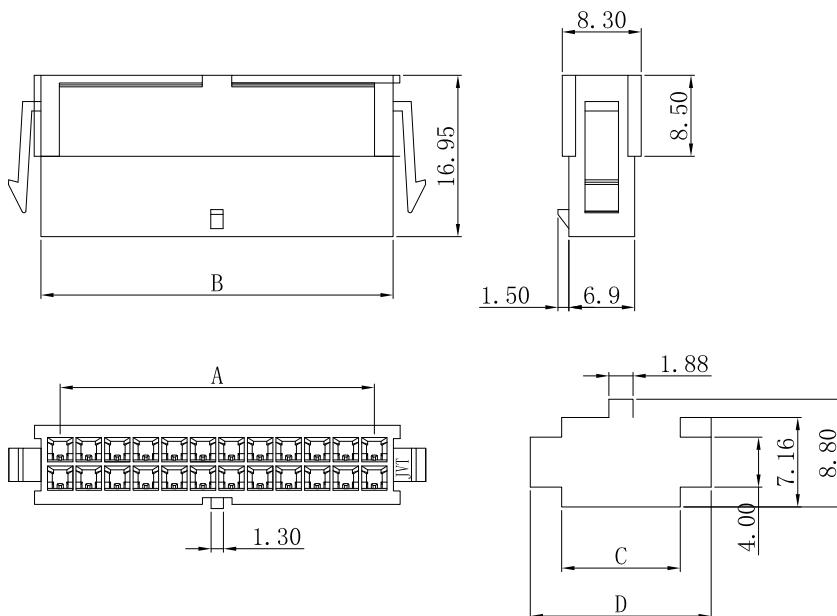
HOUSING

Part No. : JVT3024HNO-2*XXXXL

Material: PA66 UL94V-0

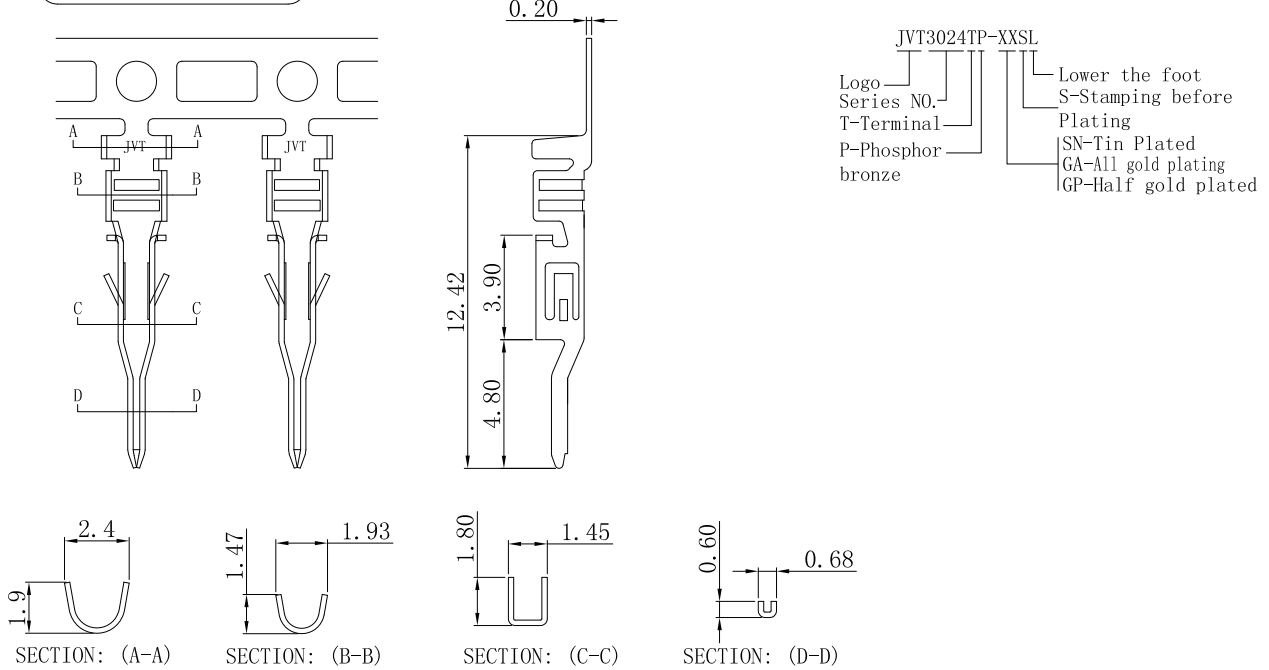
Mates With Part(s):JVT3024 Terminal

JVT3024HNO-2*XXXXL
 Logo _____
 Series NO. _____
 Housing _____
 PA66 UL94V-0 _____
 L-Lock _____
 No-White _____
 BK-Black _____
 Pin NO. _____



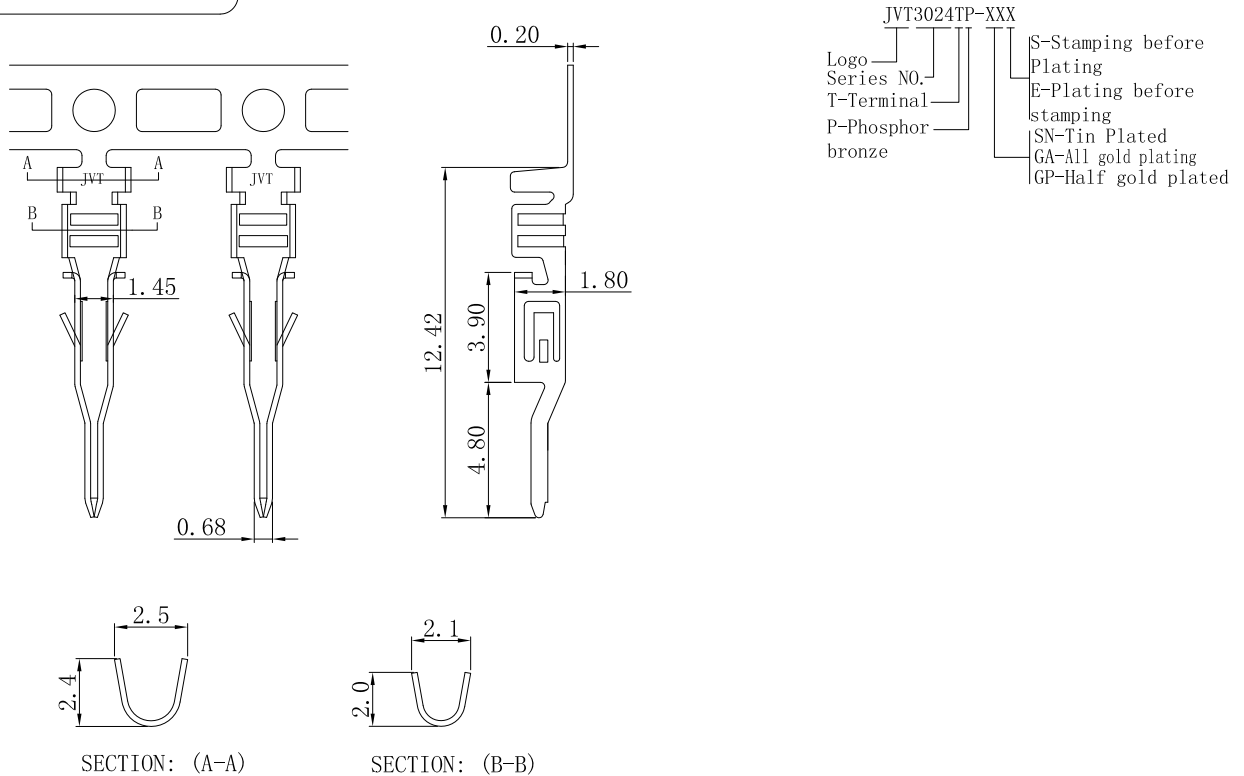
Poles	Dimensions (mm)			
	A	B	C	D
2*01	----	4.0	4.36	8.0
2*02	3.00	7.0	7.36	11.0
2*03	6.00	10.0	10.36	14.0
2*04	9.00	13.0	13.36	17.0
2*05	12.00	16.0	16.36	20.0
2*06	15.00	19.0	19.36	23.0
2*07	18.00	22.0	22.36	26.0
2*08	21.00	25.0	25.36	29.0
2*09	24.00	28.0	28.36	32.0
2*10	27.00	31.0	31.36	35.0
2*11	30.00	34.0	34.36	38.0
2*12	33.00	37.0	37.36	41.0

JVT3024T — 3.0mm Pitch Crimp Terminal



JVT3024TP-SNSL	Phos Bronze	Tin Plated	AWG#26~30	1.30mm(Max)	JVT3024 HOUSING
JVT3024TP-GASL		All gold plating			
JVT3024TP-GPSL		Half gold plating			
PART NO	Material	Finish(Pin)	Wire Range	Insulation O.D.	Mates With Part(s)

JVT3024T — 3.0mm Pitch Crimp Terminal



JVT3024TP-SNSX	Phos Bronze	Tin Plated	AWG#26~30	1.30mm(Max)	JVT3024 HOUSING
JVT3024TP-GASX		All gold plating			
JVT3024TP-GPSX		Half gold plating			
PART NO	Material	Finish(Pin)	Wire Range	Insulation O.D.	Mates With Part(s)

JVT3025H

3.0mm Pitch housing

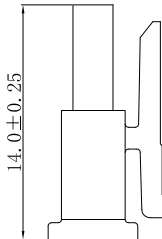
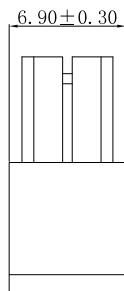
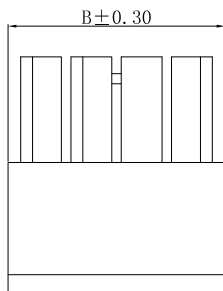
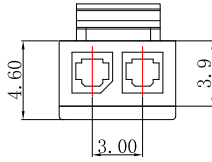
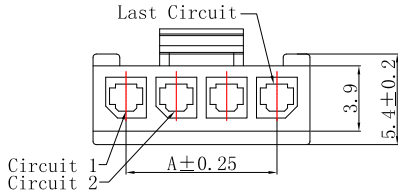
HOUSING

Part No. : JVT3025HN0-XXXX

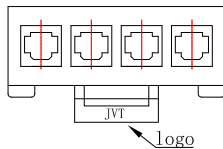
Material: PA66 UL94V-0

Mates With Part(s): JVT3025 Terminal

JVT3025HN0-XXXX
Logo
Series NO.
Housing
N0-PA66 UL94V-0
No-Natural color
BK-Black
Pin NO.



POLES	A	B
02	3.00	6.90
03	6.00	9.90
04	9.00	12.90
05	12.00	15.90
06	15.00	18.90
07	18.00	21.90
08	21.00	24.90
09	24.00	27.90
10	27.00	30.90
11	30.00	33.90
12	33.00	36.90



JVT3025H

3.0mm Pitch housing

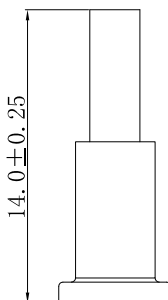
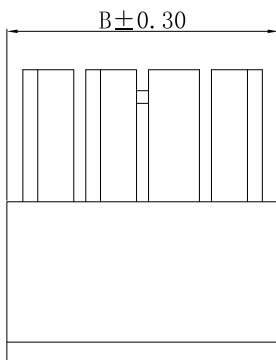
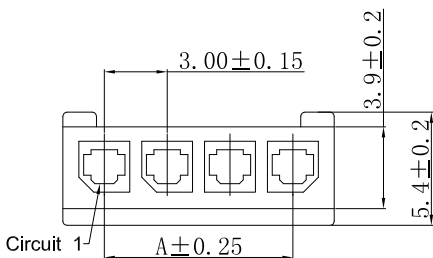
HOUSING

Part No. : JVT3025HN0-XXXX-N

Material: PA66 UL94V-0

Mates With Part(s): JVT3025 Terminal

JVT3025HN0-XXXX-N
Logo
Series NO.
Housing
PA66 UL94V-0
None lock
No-Natural color
BK-Black
PIN NO.



POLES	A	B
8	21.00	24.90
10	27.00	30.90
12	33.00	36.90

JVT3025H

3.0mm Pitch housing

HOUSING

Part No.: JVT3025HN0-2*XXXX

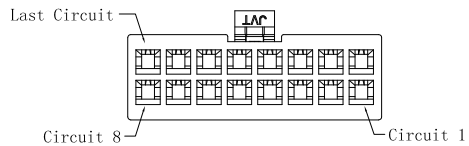
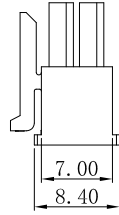
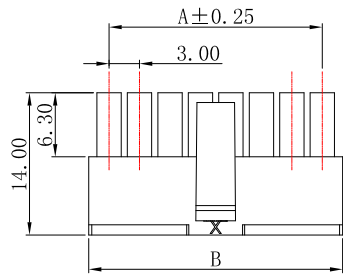
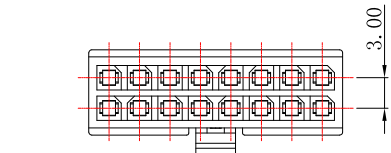
Material: PA66 UL94V-0

Mates With Part(s): JVT3025 Terminal

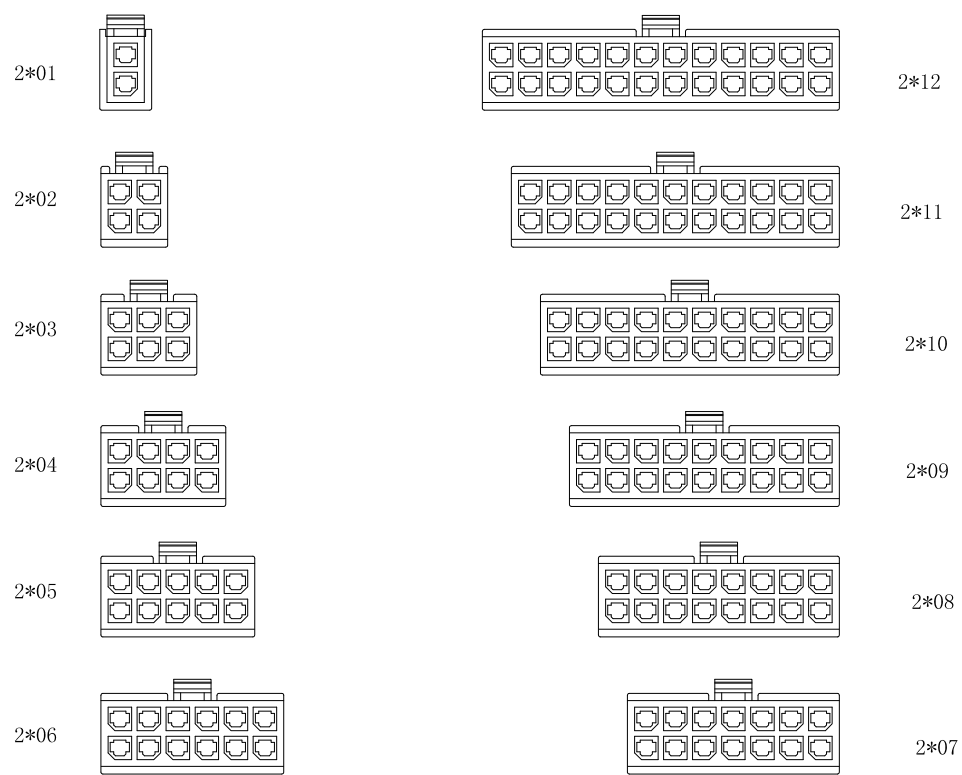
JVT3025HN0-2*XXXX

Logo
Series NO.
Housing
PA66 UL94V-0

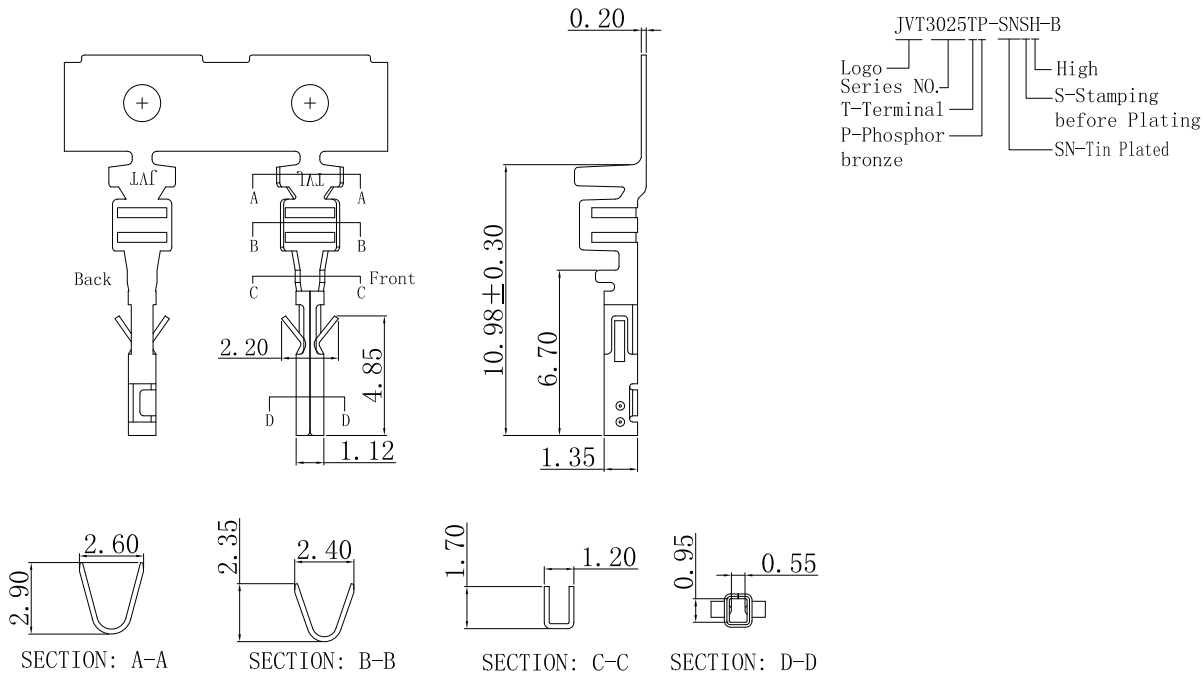
Blank-Natural color
BK-Black
Single row Pin NO.



POLES	A	B
2*01	-----	5.20
2*02	3.00	7.00
2*03	6.00	10.00
2*04	9.00	13.00
2*05	12.00	16.00
2*06	15.00	19.00
2*07	18.00	21.90
2*08	21.00	24.90
2*09	24.00	28.00
2*10	27.00	31.00
2*11	30.00	34.00

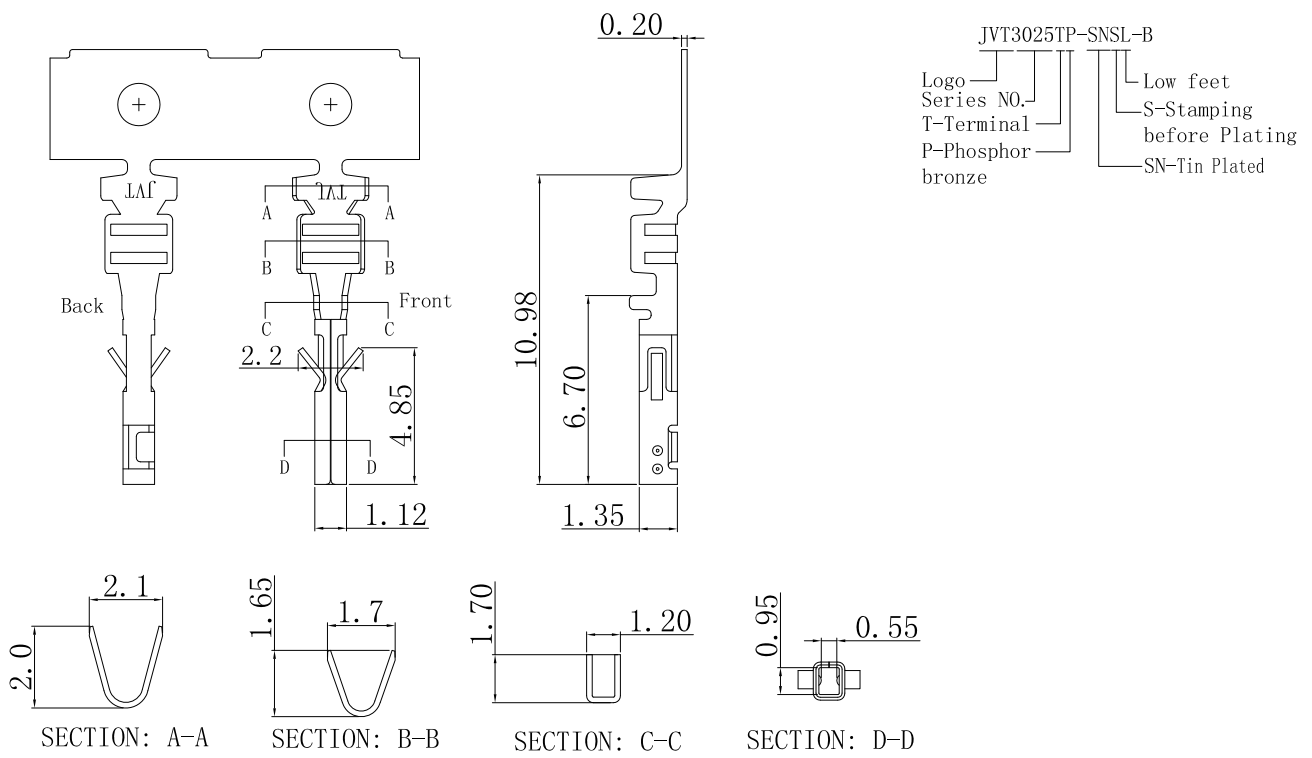


JVT3025T — 3.0mm Pitch Crimp Terminal



JVT3025TP-SNH-B	Phos Bronze	Tin Plated	AWG#18~20	2.10mm(Max)	JVT3025 HOUSING
PART NO	Material	Finish(Pin)	Wire Range	Insulation O.D.	Mates With Part(s)

JVT3025T — 3.0mm Pitch Crimp Terminal



JVT3025TP-SNSL-B	Phos Bronze	Tin Plated	AWG#26~28	1.20mm(Max)	JVT3025 HOUSING
PART NO	Material	Finish(Pin)	Wire Range	Insulation O.D.	Mates With Part(s)