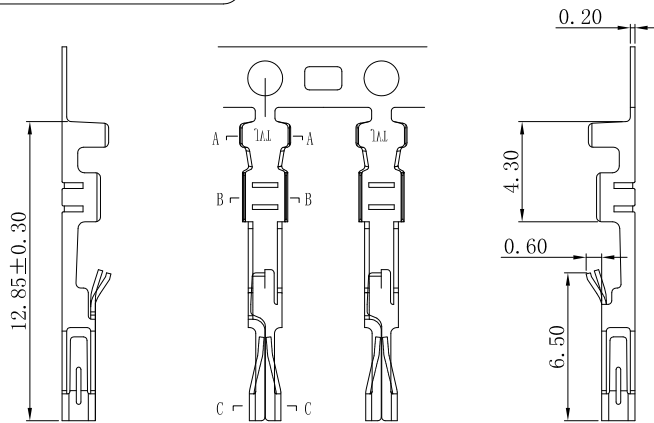


Specifications

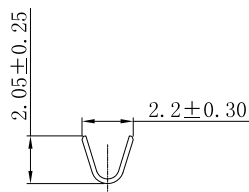
- Voltage rating: 250V AC, DC
- Current Rating: 3A, AC, DC
- Withstand voltage: 1000V AC/minute
- Contact resistance: 20m Ω max
- Insulation resistance: 1000M Ω min
- Temperature range: -40 $^{\circ}$ C ~ +105 $^{\circ}$ C
- Suitable JVT1142T series Terminal
JVT1143W series Wafer
- Compliant with RoHS and REACH
Contact JVT for details

JVT1142T

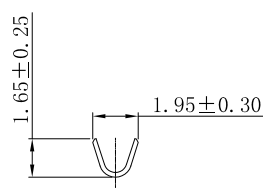
2.54mm Pitch Crimp Terminal



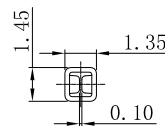
JVT1142TX-GPS
 Logo
 Series NO.
 T-Terminal
 P-Phosphor bronze
 CZ-Cu-Cr-Zr
 S-Stamping before Plating
 GP-Gold plating



SECTION: A-A



SECTION: B-B

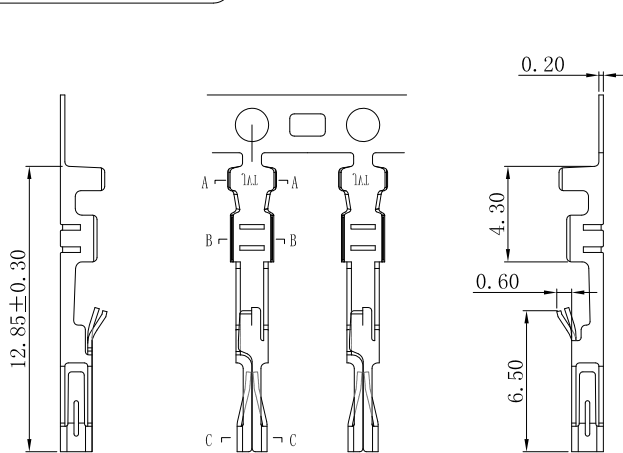


SECTION: C-C

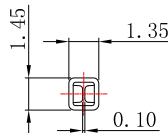
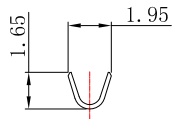
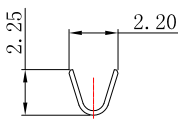
JVT1142TP-GPS	Phos Bronze	Gold plating	AWG#22~28	1.35mm(Max)	JVT1142 HOUSING
JVT1142CZ-GPS	Cu-Cr-Zr				
PART NO	Material	Finish(Pin)	Wire Range	Insulation O.D.	Mates With Part(s)

JVT1142T

2.54mm Pitch Crimp Terminal



JVT1142TX-XXXH
 Logo
 Series NO.
 T-Terminal
 P-Phosphor bronze
 H-High foot
 S-Stamping before Plating
 E-Plating before stamping
 SN-Tin Plated
 GP-Gold plating
 GA-All gold plating

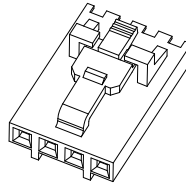
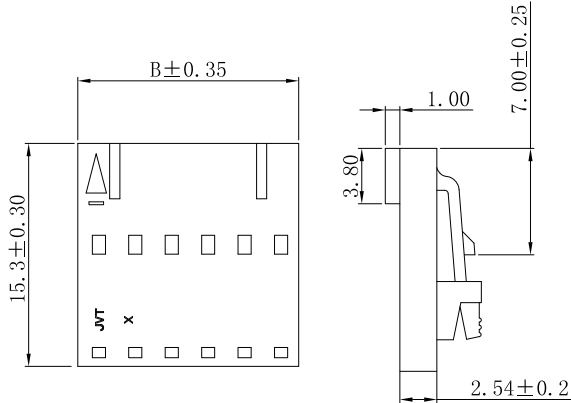
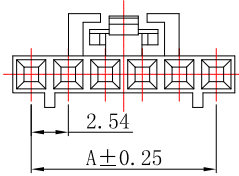


JVT1142X-SNXH	Cu-Cr-Zr/ Phosphor bronze	Tin Plated	AWG#22~28	1.35mm(Max)	JVT1142 HOUSING
JVT1142X-GPXH		Gold plating			
JVT1142X-GAXH		All gold plating			
PART NO	Material	Finish(Pin)	Wire Range	Insulation O.D.	Mates With Part(s)

JVT1142H

2.54mm Pitch housing

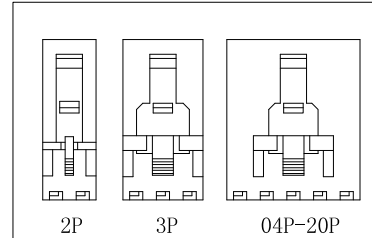
HOUSING
Part No. : JVT1142HNO-XXXXL
Material: PA66 UL94V-0
Mates With Part(s): JVT1142 Terminal



JVT1142HNO-XXXXL

Logo
Series NO.
Housing
NO-PA66 UL94V-0

L-Lock
BK-Black
WH-White
Pin NO.

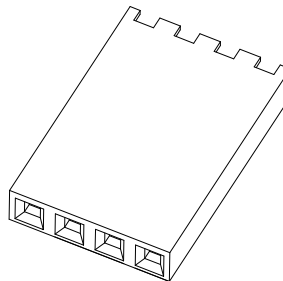
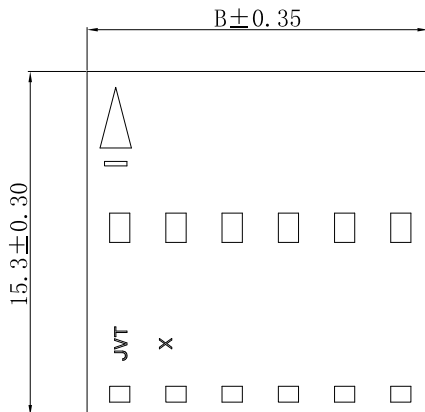
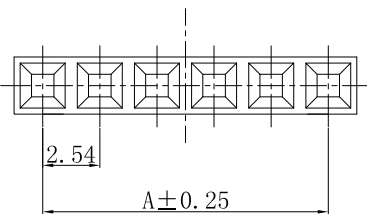


PART No	Dimension		PART No.	Dimension	
	A	B		A	B
02	2.54	5.08	11	25.40	27.94
03	5.08	7.62	12	27.94	30.48
04	7.62	10.16	13	30.48	33.02
05	10.16	12.70	14	33.02	35.56
06	12.70	15.24	15	35.56	38.1
07	15.24	17.78	16	38.10	40.64
08	17.78	20.32	17	40.64	43.10
09	20.32	22.86	18	43.10	45.64
10	22.86	25.40	20	48.18	50.72

JVT1142H

2.54mm Pitch housing

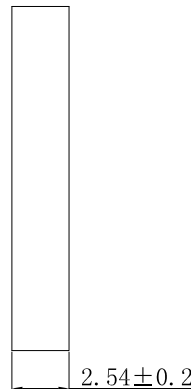
HOUSING
Part No. : JVT1142HNO-XXBK
Material: PA66 UL94V-0
Mates With Part(s): JVT1142 Terminal



JVT1142HNO-XXBK

Logo
Series NO.
Housing
NO-PA66 UL94V-0

BK-Black
Pin NO.



PART No	Dimension		PART No.	Dimension	
	A	B		A	B
02	2.54	5.08	11	25.40	27.94
03	5.08	7.62	12	27.94	30.48
04	7.62	10.16	13	30.48	33.02
05	10.16	12.70	14	33.02	35.56
06	12.70	15.24	15	35.56	38.1
07	15.24	17.78	16	38.10	40.64
08	17.78	20.32	17	40.64	43.10
09	20.32	22.86	18	43.10	45.64
10	22.86	25.40	20	48.18	50.72

JVT2548H

2.54mm Pitch housing

HOUSING

Part No.: JVT2548HN0-XXBK

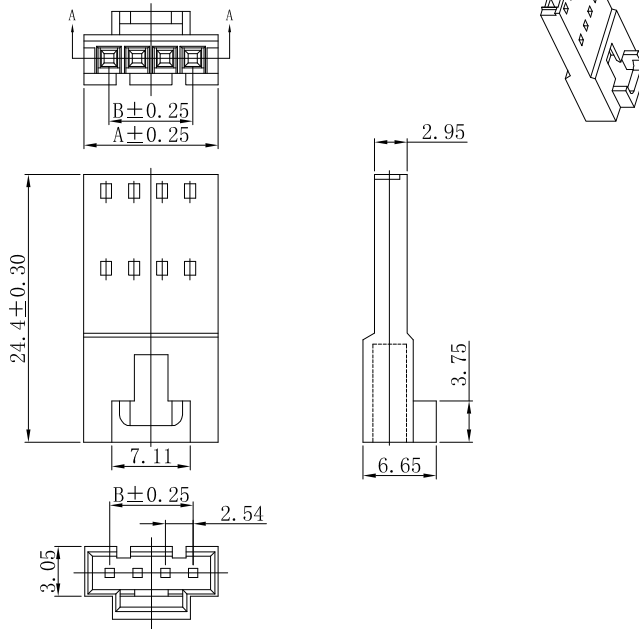
Material: PA66 UL94V-0

Mates With Part(s): JVT2548 Terminal

JVT2548HN0-XXBK

Logo
Series NO.
Housing

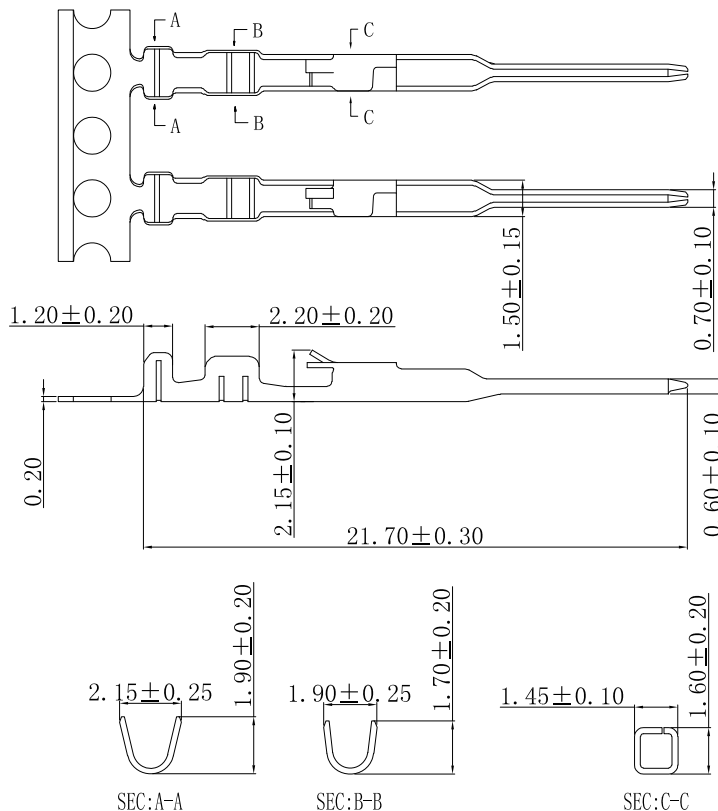
Black
Pin NO.
PA66 UL94V-0



POLES	Dimensions		POLES	Dimensions	
	A	B		A	B
02	7.11	2.54	14	37.59	33.02
03	9.65	5.08	15	40.13	33.56
04	12.19	7.62	16	42.67	38.10
05	14.73	10.16	17	45.21	40.64
06	17.27	12.70	18	47.75	43.18
07	19.81	15.24	19	50.29	45.72
08	22.35	17.78	20	52.83	48.26
09	24.89	20.32	21	55.27	50.80
10	27.43	22.86	22	57.91	53.34
11	29.97	25.40	23	60.45	55.88
12	32.51	27.94	24	62.99	58.42
13	35.05	30.48	25	65.53	60.96

JVT2548T

2.54mm Pitch Crimp Terminal



JVT2548TP-SNS

Logo
Series NO.
T-Terminal
P-Phosphor
bronze

S-Stamping before
Plating
SN-Tin Plated

JVT2548TP-SNS	Phos Bronze	Tin Plated	AWG#24~28	1.30mm (Max)	JVT2548 HOUSING
PART NO	Material	Finish(Pin)	Wire Range	Insulation O.D.	Mates With Part(s)