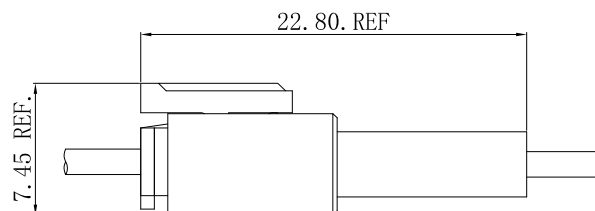


Specifications

- Voltage rating: 250V AC, DC
- Current Rating: 3A, AC, DC
- Withstand voltage: 1000V AC/minute
- Contact resistance: 20m Ω max
- Insulation resistance: 1000m Ω min
- Temperature range: -40°C ~ +105°C
- Suitable JVT2503T series Terminal
JVT2505H series Housing
- Compliant with RoHS and REACH
Contact JVT for details

Assembly layout



JVT2503H

2.5mm Pitch housing

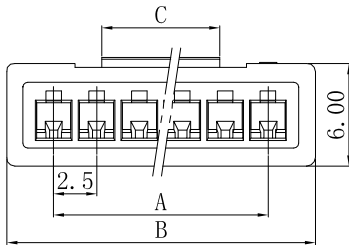
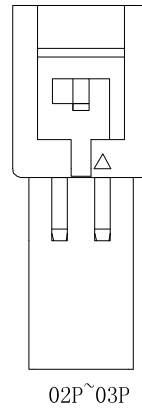
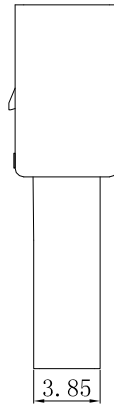
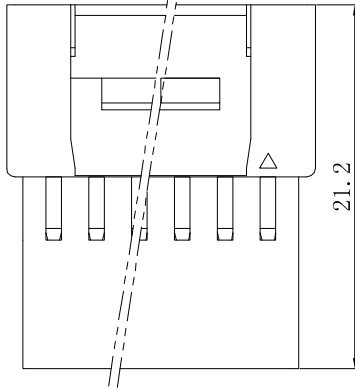
HOUSING

Part No. : JVT2503HN0-XXW

Material: PA66 UL94V-0

Mates With Part(s): JVT2503 Terminal

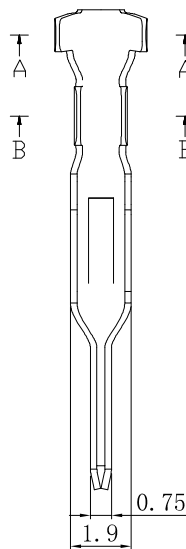
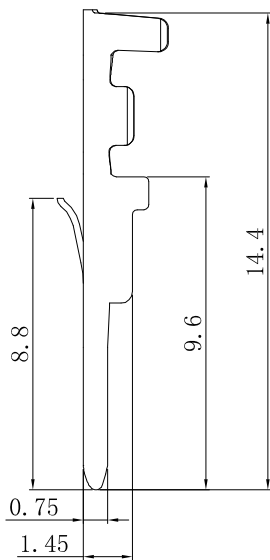
JVT2503HN0-XXW
Logo Series NO. Housing Female HSG Pin NO. PA66 UL94V-0



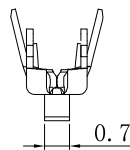
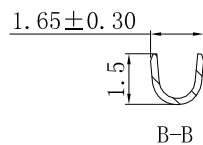
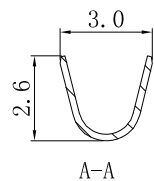
poles	UV Dimensions (mm)		
	A	B	C
02	2.50	8.00	1.0
03	5.00	10.50	1.0
04	7.50	13.00	1.9
05	10.00	15.50	1.9
06	12.50	18.00	6.9
07	15.00	20.50	9.4
08	17.50	23.00	11.9
09	20.00	25.50	11.4
10	22.50	28.00	16.9
11	25.00	30.50	19.4
12	27.50	33.00	21.9
13	30.00	35.50	24.4
14	32.50	38.00	26.9
15	35.00	40.50	29.4

JVT2503T

2.5mm Pitch Crimp Terminal



JVT2503TP-SNXW
Logo Series NO. T-Terminal P-Phosphor bronze With female HSG S-Stamping before Plating E-Plating before stamping Tin Plated



JVT2503TP-SNXW	Phos Bronze	Tin Plated	AWG#22~28	1.60mm (Max)	JVT2503 HOUSING
PART NO	Material	Finish (Pin)	Wire Range	Insulation O.D.	Mates With Part(s)

JVT2505H

2.5mm Pitch housing

HOUSING

Part No.: JVT2505HNO-XX

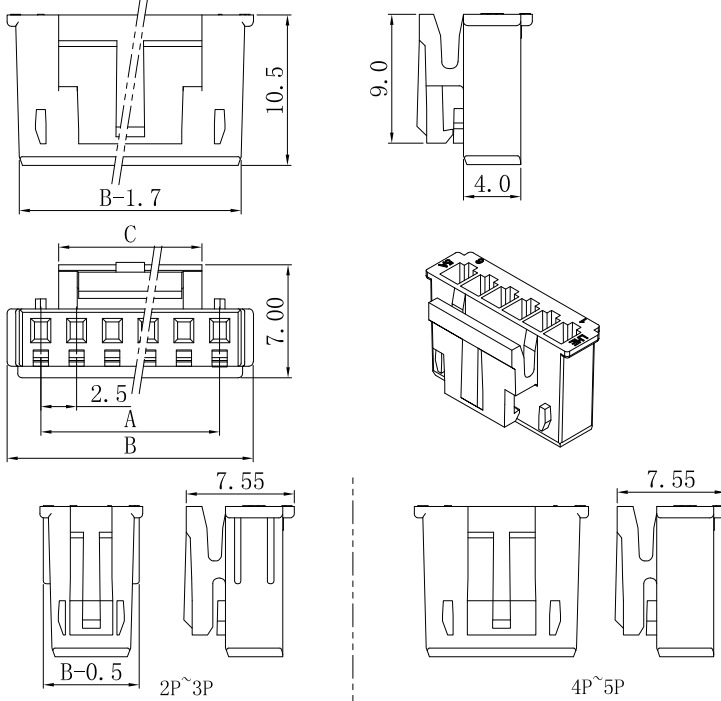
Material: PA66 UL94V-0

Mates With Part(s): JVT2505 Terminal

JVT2505HNO-XX

Logo
Series NO.
Housing

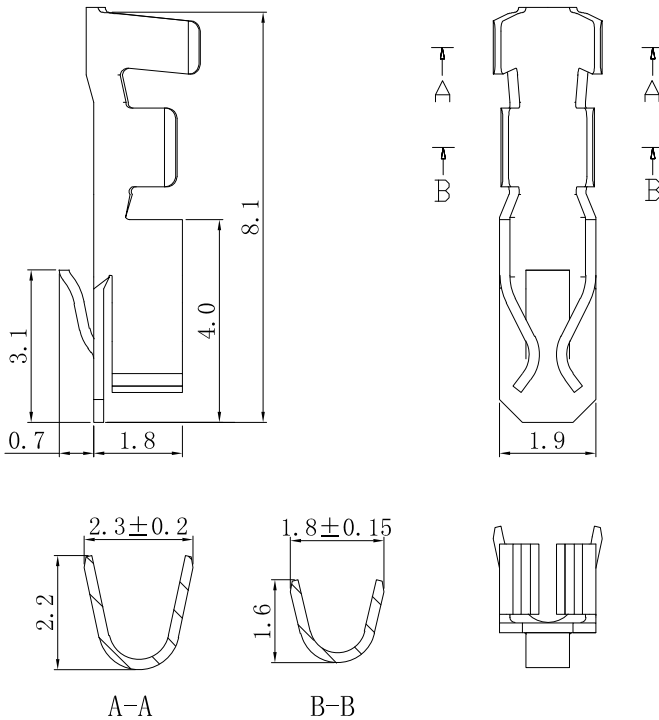
Pin NO.
PA66 UL94V-0



Poles	DIM (mm)		
	A	B	C
2	2.50	7.20	3.0
3	5.00	9.70	3.0
4	7.50	12.20	4.8
5	10.00	14.70	4.8
6	12.50	17.20	10.0
7	15.00	19.70	10.0
8	17.50	22.20	12.5
9	20.00	24.70	12.5
10	22.50	27.20	15.0
11	25.00	29.70	15.0
12	27.50	32.20	17.0
13	30.00	34.70	17.0
14	32.50	37.20	17.0
15	35.00	39.70	17.0

JVT2505T

2.5mm Pitch Crimp Terminal



JVT2505TP-SNX

Logo
Series NO.
T-Terminal
P-Phosphor
bronze

S-Stamping before
Plating
E-Plating before
stamping
Tin Plated

JVT2505TP-SNX	Phos Bronze	Tin Plated	AWG#22~28	1.60mm (Max)	JVT2505 HOUSING
PART NO	Material	Finish (Pin)	Wire Range	Insulation O.D.	Mates With Part(s)