

Specifications

- Voltage rating: 250V AC, DC
- Current Rating: 3A, AC, DC
- Withstand voltage: 1000V AC/minute
- Contact resistance: 20m Ω max
- Insulation resistance: 1000m Ω min
- Temperature range: -40°C ~ +105°C
- *Suitable JVT2001T series Terminal
JVT1001W series Wafer
- Compliant with RoHS and REACH
Contact JVT for details

JVT2001H

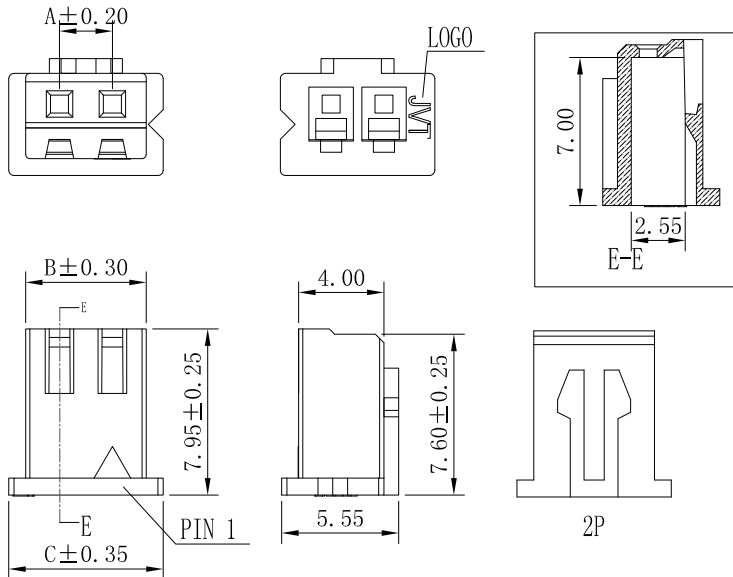
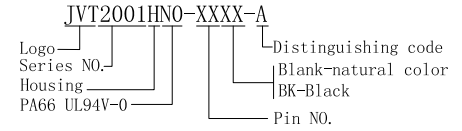
2.5mm Pitch housing

HOUSING

Part No. : JVT2001HNO-XXXX-A

Material: PA66 UL 94V-0

Mates With Part(s): JVT2001 Terminal



Poles	Dim(mm)			Poles	Dim(mm)		
	A	B	C		A	B	C
02	2.50	5.7	7.3	11	25.00	28.2	29.8
03	5.00	8.2	9.8	12	27.50	30.7	32.3
04	7.50	10.7	12.3	13	30.00	33.2	34.8
05	10.00	13.2	14.8	14	32.50	35.7	37.3
06	12.50	15.7	17.3	15	35.00	38.2	39.8
07	15.00	18.2	19.8	16	37.50	40.7	42.3
08	17.50	20.7	22.3	--	--	--	--
09	20.00	23.2	24.8	20	47.50	50.7	52.3
10	22.50	25.7	27.3				

JVT2001H

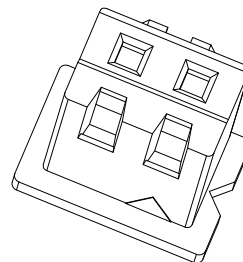
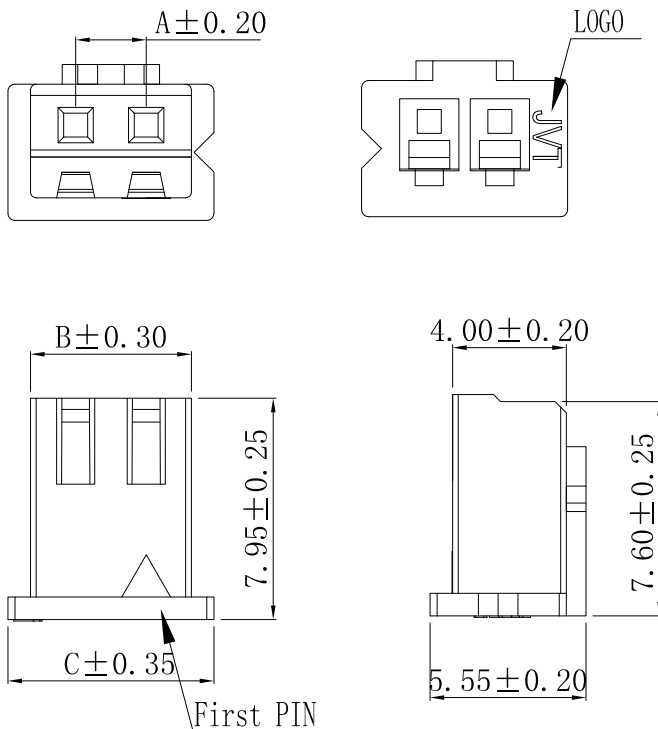
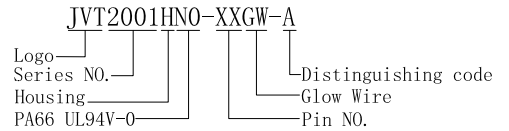
2.5mm Pitch housing

HOUSING

Part No. : JVT2001HNO-XXGW-A

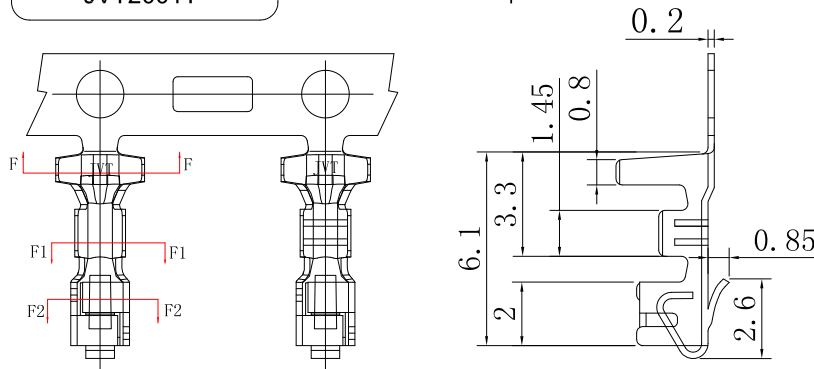
Material: PA66 UL 94V-0 Glow Wire750°C

Mates With Part(s): JVT2001 Terminal

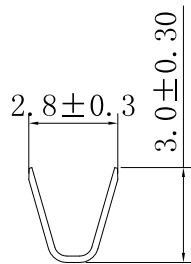


Poles	Dim(mm)			Poles	Dim(mm)		
	A	B	C		A	B	C
02	2.50	5.7	7.3	11	25.00	28.2	29.8
03	5.00	8.2	9.8	12	27.50	30.7	32.3
04	7.50	10.7	12.3	13	30.00	33.2	34.8
05	10.00	13.2	14.8	14	32.50	35.7	37.3
06	12.50	15.7	17.3	15	35.00	38.2	39.8
07	15.00	18.2	19.8	16	37.50	40.7	42.3
08	17.50	20.7	22.3	--	--	--	--
09	20.00	23.2	24.8	20	47.50	50.7	52.3
10	22.50	25.7	27.3				

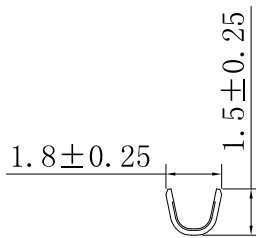
JVT2001T — 2.5mm Pitch Crimp Terminal



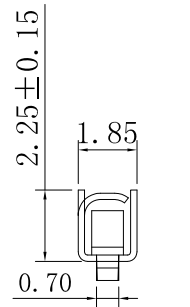
JVT2001TP-SNS-01
Logo
Series NO.
T-Terminal
P-phosphor
S-Stamping before Plating
SN-Tin Plated bronze



SECTION F-F



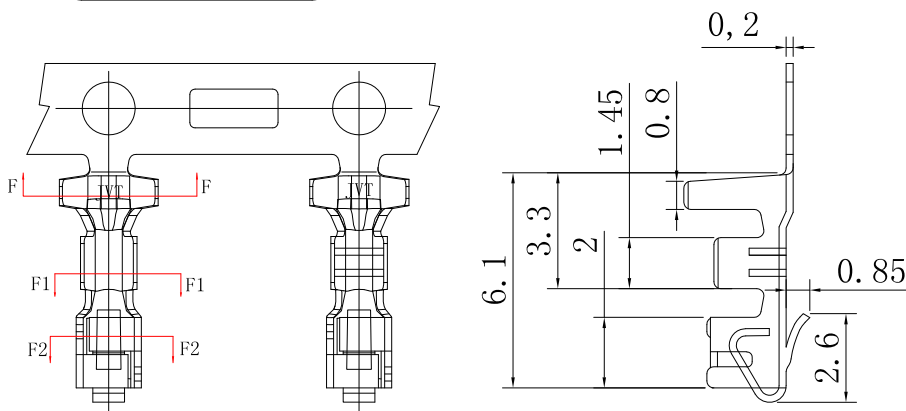
SECTION F1-F1



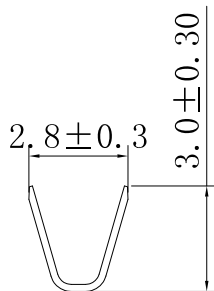
SECTION F2-F2

JVT2001TP-SNS-01	Phos Bronze	Tin Plated	AWG#22~30	1.9mm(Max)	JVT2001 HOUSING
PART NO	Material	Finish(Pin)	Wire Range	Insulation O.D.	Mates With Part(s)

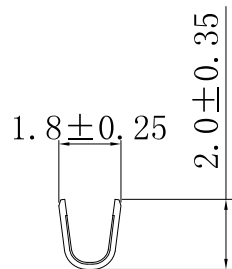
JVT2001T — 2.5mm Pitch Crimp Terminal



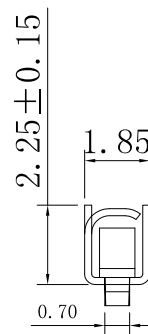
JVT2001TP-SNSH-01
Logo
Series NO.
T-Terminal
P-phosphor
H-High foot
S-Stamping before Plating
SN-Tin Plated bronze



SECTION F-F



SECTION F1-F1



SECTION F2-F2

JVT2001TP-SNSH-01	Phos Bronze	Tin Plated	AWG#20~26	1.9mm(Max)	JVT2001 HOUSING
PART NO	Material	Finish(Pin)	Wire Range	Insulation O.D.	Mates With Part(s)

JVT2001HW

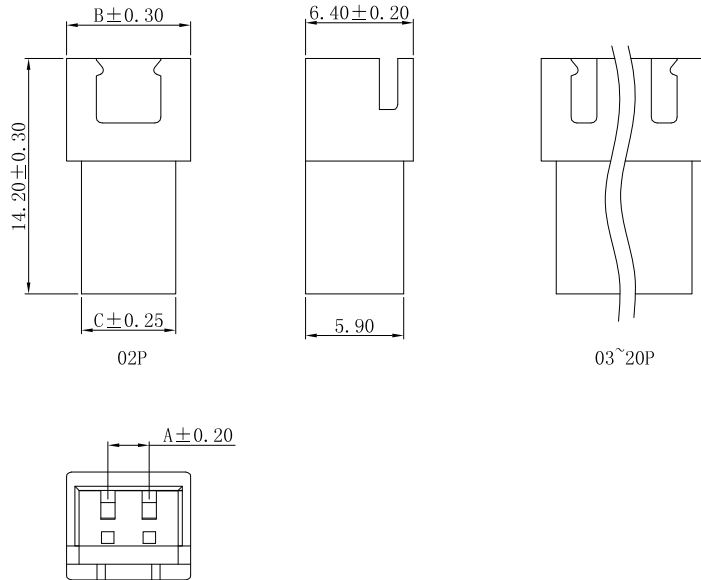
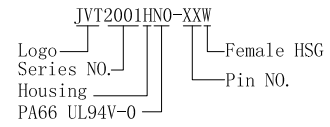
2.5mm Pitch housing

HOUSING

Part No. : JVT2001HNO-XXW

Material: PA66 UL 94V-0

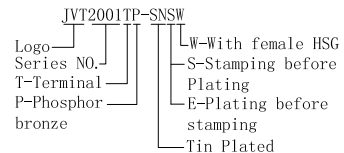
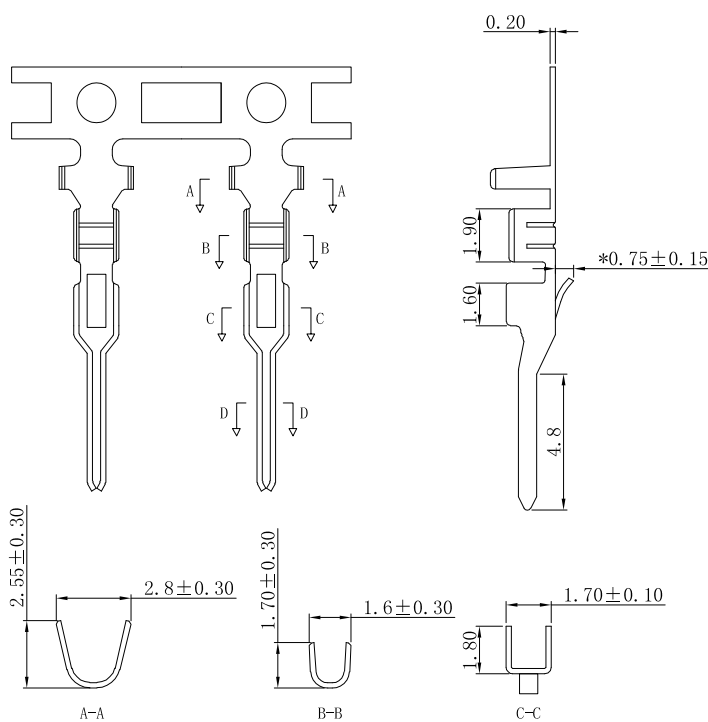
Mates With Part(s): JVT2001 Terminal



PIN.	A	B	C
02	2.50	7.50	5.80
03	5.00	10.00	8.30
04	7.50	12.50	10.80
05	10.00	15.00	13.30
06	12.50	17.50	15.80
07	15.00	20.00	18.30
08	17.50	22.50	20.80
09	20.00	25.00	23.30
10	22.50	27.50	25.80
11	25.00	30.00	28.30
12	27.50	32.50	30.80
13	30.00	35.00	33.30
14	32.50	37.50	35.80
15	35.00	40.00	38.30
16	37.50	42.50	40.80
17	40.00	45.00	43.30
18	42.50	47.50	45.80
19	45.00	50.00	48.30
20	47.50	52.50	50.80

JVT2001TW

2.5mm Pitch Crimp Terminal



JVT2001TP-SNSW	Phos Bronze	Tin Plated	AWG#22~26	1.7mm(Max)	JVT2001 HOUSING
PART NO	Material	Finish(Pin)	Wire Range	Insulation O.D.	Mates With Part(s)