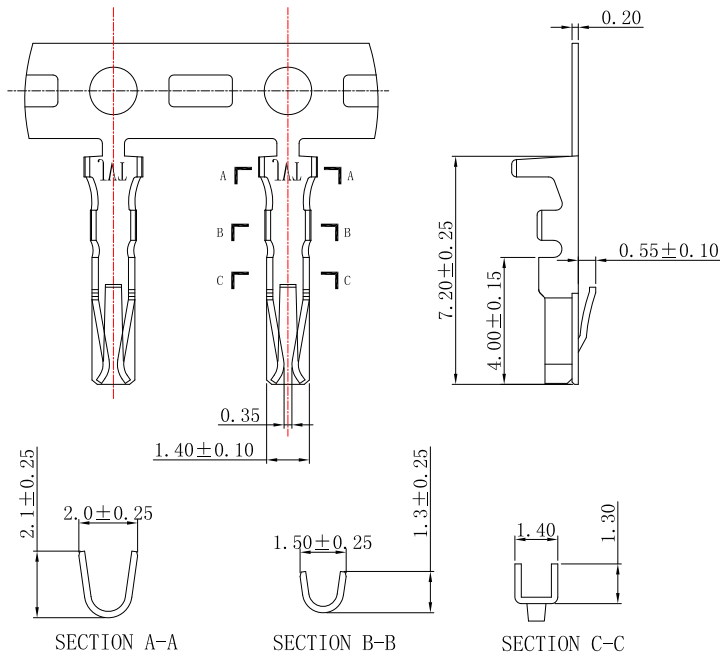


## Specifications

- Voltage rating: 250V AC, DC
- Current Rating: 3A, AC, DC
- Withstand voltage: 1000V AC/minute
- Contact resistance: 20m $\Omega$  max
- Insulation resistance: 1000m $\Omega$  min
- Temperature range: -40°C ~ +105°C
- \*Suitable JVT2041T series Terminal  
JVT2041W series Wafer
- Compliant with RoHS and REACH  
Contact JVT for details

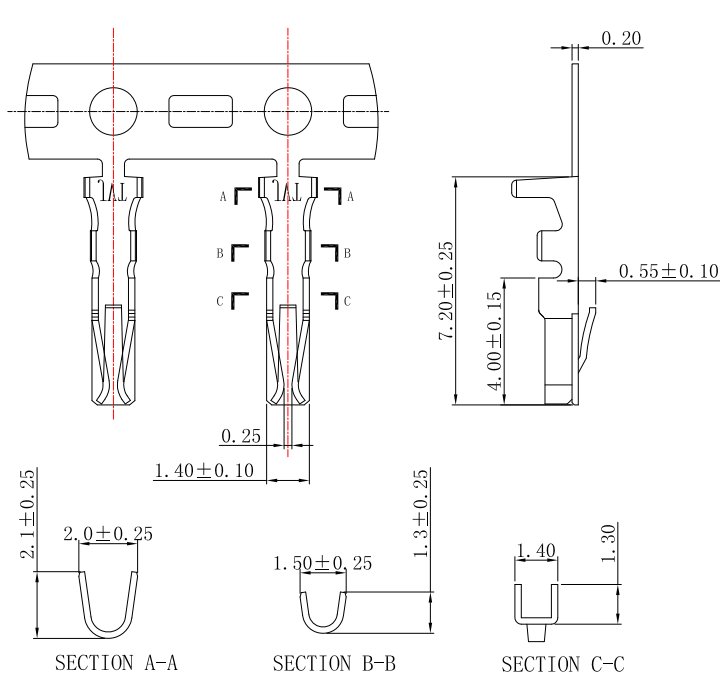
**JVT2041T** — 2.0mm Pitch Crimp Terminal —



JVT2041TP-SNSFS  
 Logo —  
 Series NO. —  
 T-Terminal —  
 P-phosphor bronze —  
 FS-Loose terminal  
 S-Stamping before Plating  
 Tin Plated

JVT2041TP-SNSFS	Phos Bronze	Tin Plated	AWG#24~28	1.4mm(Max)	JVT2041 HOUSING
PART NO	Material	Finish(Pin)	Wire Range	Insulation O.D.	Mates With Part(s)

**JVT2041T** — 2.0mm Pitch Crimp Terminal —



JVT2041TP-SNS  
 Logo —  
 Series NO. —  
 T-Terminal —  
 P-phosphor bronze —  
 S-Stamping before Plating  
 Tin Plated

JVT2041TP-SNS	Phos Bronze	Tin Plated	AWG#24~28	1.4mm(Max)	JVT2041 HOUSING
PART NO	Material	Finish(Pin)	Wire Range	Insulation O.D.	Mates With Part(s)

**JVT2041H**

2.0mm Pitch housing

HOUSING

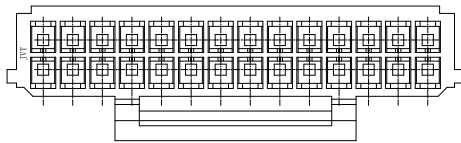
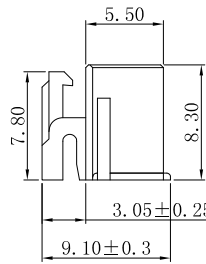
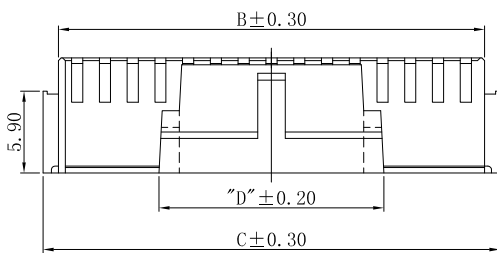
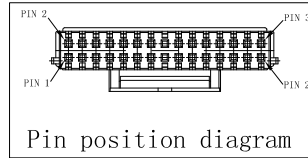
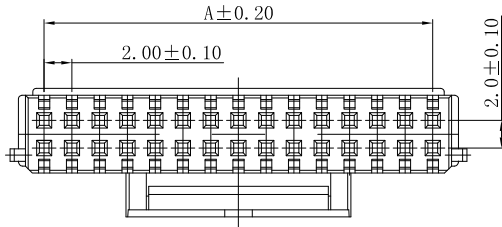
Part No. : JVT2041HNO-2\*XXW

Material: Nylon 66 UL94V-0

Mates With Part(s): JVT2041 Terminal

JVT2041HNO-XX

Logo  
Series NO.  
Housing  
PA66 94V-0  
Pin NO.



	A	B	C	D
04	2.0	4.6	6.76	3.10
06	4.0	6.6	8.76	3.10
08	6.0	8.6	10.76	4.30
10	8.0	10.6	12.76	5.70
12	10.0	12.6	14.76	7.70
14	12.0	14.6	16.76	9.70
16	14.0	16.6	18.76	11.70
18	16.0	18.6	20.76	13.70
20	18.0	20.6	22.76	15.70
22	20.0	22.6	24.76	15.70
24	22.0	24.6	26.76	15.70
26	24.0	26.6	28.76	15.70
28	26.0	28.6	30.76	15.70
30	28.0	30.6	32.76	15.70
32	30.0	32.6	34.76	15.70
34	32.0	34.6	36.76	15.70
36	34.0	36.6	38.76	15.70
38	36.0	38.6	40.76	15.70
40	38.0	40.6	42.76	15.70
42	40.0	42.6	44.76	15.70

**JVT2041H**

2.0mm Pitch housing

HOUSING

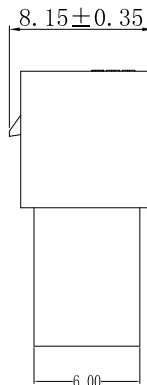
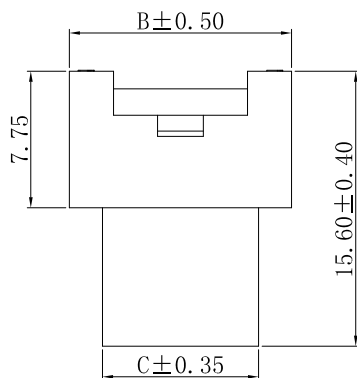
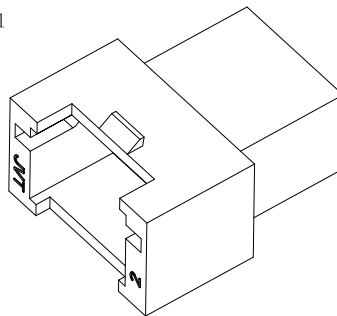
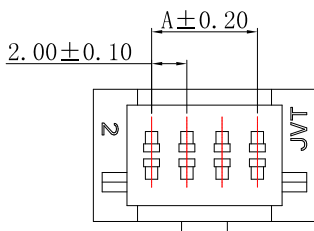
Part No. : JVT2041HNO-2\*XXW

Material: Nylon 66 UL94V-0

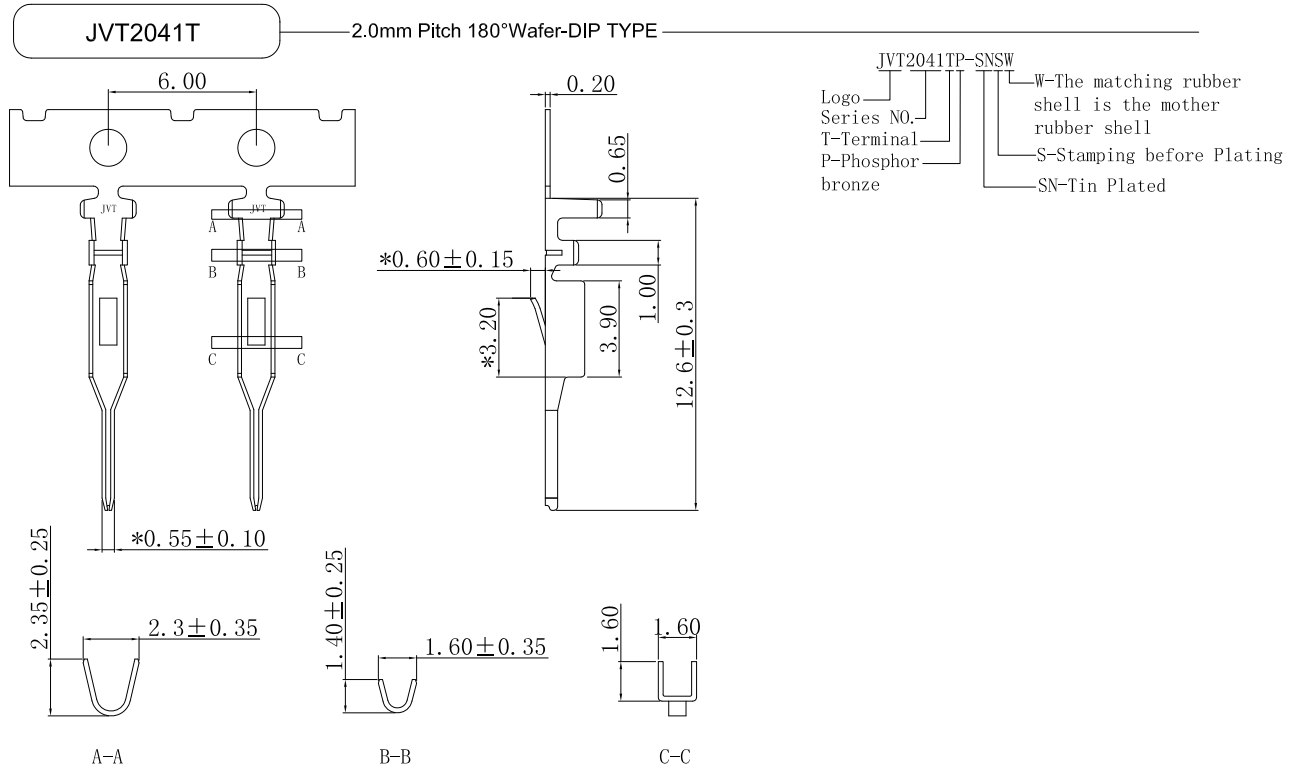
Mates With Part(s): JVT2041T-W Terminal

JVT2041HNO-2\*XXW

Logo  
Series NO.  
Housing  
NO-PA66 UL94V-0  
Female HSG  
Pin NO.



Poles	Dimensions (mm)			Poles	Dimensions (mm)		
	A	B	C		A	B	C
2*02	2.0	8.6	4.85	2*12	22.0	28.6	24.85
2*03	4.0	10.6	6.85	2*13	24.0	30.6	26.85
2*04	6.0	12.6	8.85	2*14	26.0	32.6	28.85
2*05	8.0	14.6	10.85	2*15	28.0	34.6	30.85
2*06	10.0	16.6	12.85	2*16	30.0	36.6	32.85
2*07	12.0	18.6	14.85	2*17	32.0	38.6	34.85
2*08	14.0	20.6	16.85	2*18	34.0	40.6	36.85
2*09	16.0	22.6	18.85	2*19	36.0	42.6	38.85
2*10	18.0	24.6	20.85	2*20	38.0	44.6	40.85
2*11	20.0	26.6	22.85				



JVT2041TP-SNSW	Phos Bronze	Tin Plated	AWG#24~28	1.4mm(Max)	JVT2041HW HOUSING
PART NO	Material	Finish(Pin)	Wire Range	Insulation O.D.	Mates With Part(s)