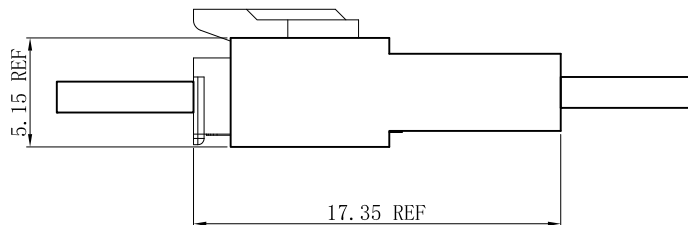


Specifications

- Voltage rating: 250V AC, DC
- Current Rating: 2A AC/DC (3A 22AWG)
- Withstand voltage: 1000V AC/minute
- Contact resistance: 50mΩ max
- Insulation resistance: 1000mΩ min
- Temperature range: -40°C ~ +105°C
- Compliant with RoHS and REACH
- Contact JVT for details

Assembly layout



JVT1128 SERIES

2.0mm pitch wire to wire connector

JVT1128HW

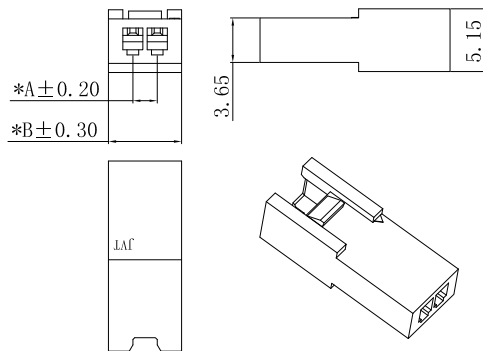
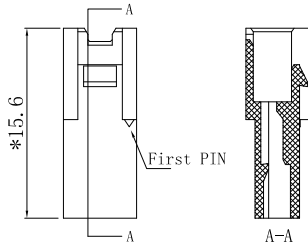
2.0mm Pitch housing

HOUSING

Part No. : JVT1128HNO-XXW

Material: Nylon 66 UL94V-0

Mates With Part(s): JVT1128 Terminal



JVT1128HNO-XXW

Logo
Series NO.
Housing

Female HSG
Pin NO.
PA66 UL94V-0

Poles	Dimension (mm)	
	A	B
02	2.0	6.0
03	4.0	8.0
04	6.0	10.0
05	8.0	12.0
06	10.0	14.0
07	12.0	16.0
08	14.0	18.0
09	16.0	20.0
10	18.0	22.0
11	20.0	24.0
12	22.0	26.0
13	24.0	28.0
14	26.0	30.0
15	28.0	32.0
16	30.0	32.6

Unit:mm

JVT1128H

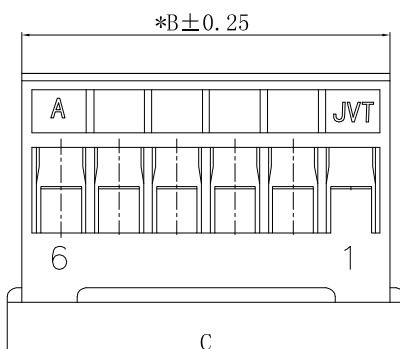
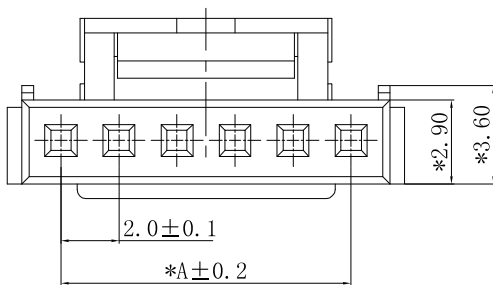
2.0mm Pitch housing

HOUSING

Part No. : JVT1128HNO-XXL

Material: Nylon 66 UL94V-0

Mates With Part(s): JVT1128 Terminal



JVT1128HNO-XXL

Logo
Series NO.
Housing

Lock
Pin NO.
PA66 UL94V-0

Poles	Dimension (mm)			
	A	B	C	D
02	2.0	4.6	5.6	3.2
03	4.0	6.6	7.6	4.0
04	6.0	8.6	9.6	5.0
05	8.0	10.6	11.6	6.2
06	10.0	12.6	13.6	8.2
07	12.0	14.6	15.6	10.2
08	14.0	16.6	17.6	12.2
09	16.0	18.6	19.6	14.2
10	18.0	20.6	21.6	16.2
11	20.0	22.6	23.6	16.2
12	22.0	24.6	25.6	16.2
13	24.0	26.6	27.6	16.2
14	26.0	28.6	29.6	16.2
15	28.0	30.6	31.6	16.2
16	30.0	32.6	33.6	16.2

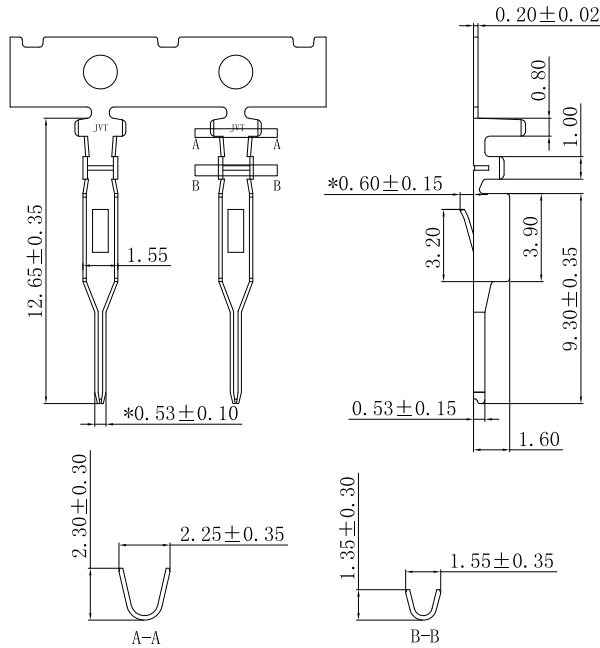
Unit:mm

JVT1128 SERIES

2.0mm pitch wire to wire connector

JVT1128TW

2.0mm Pitch Crimp Terminal

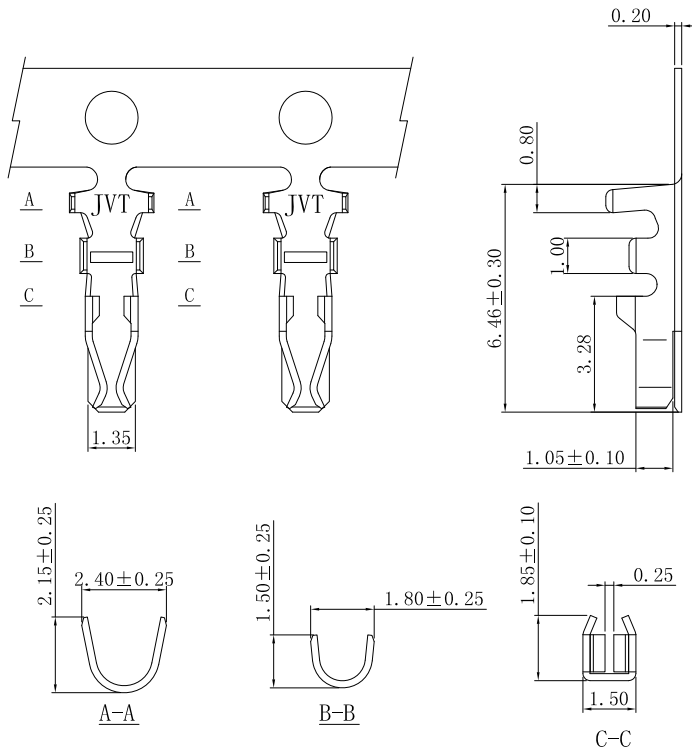


JVT1128TP-SNSW-B
 Logo
 Series NO.
 T-Terminal
 P-Phosphor bronze
 B Mode
 W-The matching rubber shell is the mother rubber shell
 S-Stamping before Plating
 Sn-Tin Plated

JVT1128TP-SNSW-B	Phos Bronze	Tin Plated	AWG#24~30	1.3mm(Max)	JVT1128 Housing
PART NO	Material	Finish(Pin)	Wire Range	Insulation O.D.	Mates With Part(s)

JVT1128T

2.0mm Pitch Crimp Terminal



JVT1128TP-SNS-A
 Logo
 Series NO.
 T-Terminal
 P-Phosphor bronze
 Distinguishing code
 S-Stamping before Plating
 SN-Tin Plated

JVT1128TP-SNS-A	Phos Bronze	Tin Plated	AWG#22~28	1.6mm(Max)	JVT1128 Housing
PART NO	Material	Finish(Pin)	Wire Range	Insulation O.D.	Mates With Part(s)