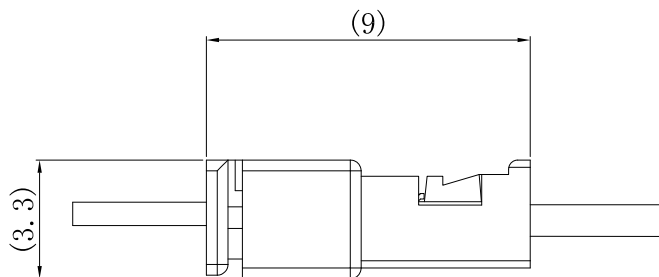


Specifications

- Voltage rating: 125V AC, DC
- Current Rating: 1A, AC, DC
- Withstand voltage: 250V AC/minute
- Contact resistance: 40mΩ max
- Insulation resistance: 100MΩ min
- Temperature range: -40°C ~ +105°C
- Compliant with RoHS and REACH
- Contact JVT for details

Assembly layout



JVT1146 SERIES

1.25mm pitch wire to wire connector

JVT1146H — 1.25mm Pitch housing

HOUSING

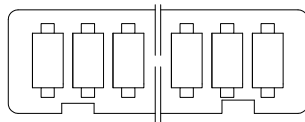
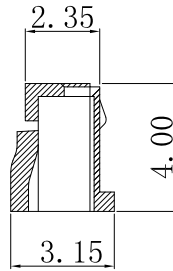
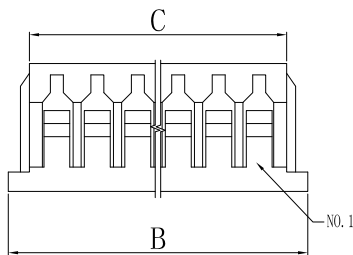
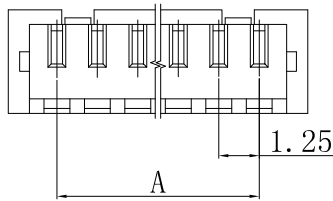
Part No. : JVT1146HN0-XXN

Material: Nylon 66 UL94V-0

Mates With Part(s): JVT1146 Terminal

JVT1146HN0-XXN

Logo —
Series NO. —
Housing —
With nicks —
Pin NO. —
NO-PA66 UL94V-0



| Poles | Dimensions (mm) | | |
|-------|-----------------|-------|-------|
| | A | B | C |
| 02 | 1.25 | 4.20 | 2.95 |
| 03 | 2.50 | 5.50 | 4.20 |
| 04 | 3.75 | 6.70 | 5.45 |
| 05 | 5.00 | 8.00 | 6.70 |
| 06 | 6.25 | 9.20 | 7.95 |
| 07 | 7.50 | 10.50 | 9.20 |
| 08 | 8.75 | 11.70 | 10.45 |
| 09 | 10.00 | 13.00 | 11.70 |
| 10 | 11.25 | 14.20 | 12.95 |
| 11 | 12.50 | 15.50 | 14.20 |
| 12 | 13.75 | 16.70 | 15.45 |
| 13 | 15.00 | 18.00 | 16.70 |
| 14 | 16.25 | 19.20 | 17.95 |
| 15 | 17.50 | 20.50 | 19.20 |
| 16 | 18.75 | 21.70 | 20.45 |

Unit:mm

JVT1146H — 1.25mm Pitch housing

HOUSING

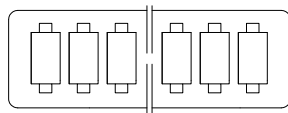
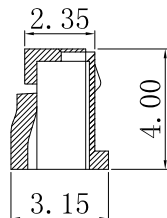
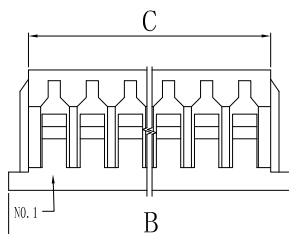
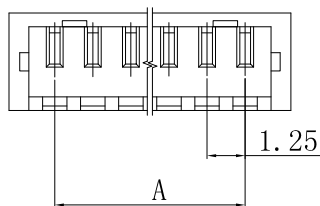
Part No. : JVT1146HXX-XX

Material: PA66/PBT UL94V-0

Mates With Part(s): JVT1146 Terminal

JVT1146HXX-XX

Logo —
Series NO. —
Housing —
Pin NO. —
NO-PA66 UL94V-0
PT-PBT UL94V-0



| Poles | Dimensions (mm) | | |
|-------|-----------------|-------|-------|
| | A | B | C |
| 02 | 1.25 | 4.20 | 2.95 |
| 03 | 2.50 | 5.50 | 4.20 |
| 04 | 3.75 | 6.70 | 5.45 |
| 05 | 5.00 | 8.00 | 6.70 |
| 06 | 6.25 | 9.20 | 7.95 |
| 07 | 7.50 | 10.50 | 9.20 |
| 08 | 8.75 | 11.70 | 10.45 |
| 09 | 10.00 | 13.00 | 11.70 |
| 10 | 11.25 | 14.20 | 12.95 |
| 11 | 12.50 | 15.50 | 14.20 |
| 12 | 13.75 | 16.70 | 15.45 |
| 13 | 15.00 | 18.00 | 16.70 |
| 14 | 16.25 | 19.20 | 17.95 |
| 15 | 17.50 | 20.50 | 19.20 |
| 16 | 18.75 | 21.70 | 20.45 |

Unit:mm

| | | |
|---------------|--------------|--------------------|
| JVT1146HN0-XX | PA66 UL94V-0 | JVT1146TP-SNS-01 |
| JVT1146HPT-XX | PBT UL94V-0 | JVT1146TP-SNS-01 |
| PART NO | Material | Mates With Part(s) |

JVT1146 SERIES

1.25mm pitch wire to wire connector

JVT1146HW

1.25mm Pitch housing

HOUSING

Part No. : JVT1146HNO-XXW

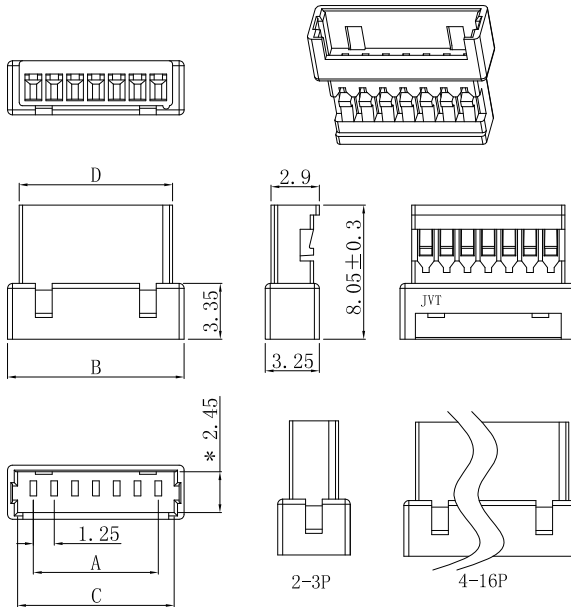
Material: Nylon 66 UL94V-0

Mates With Part(s): JVT1146 Terminal

JVT1146HNO-XXW

Logo
Series NO.
Housing

Female HSG
Pin NO.
PA66 UL94V-0

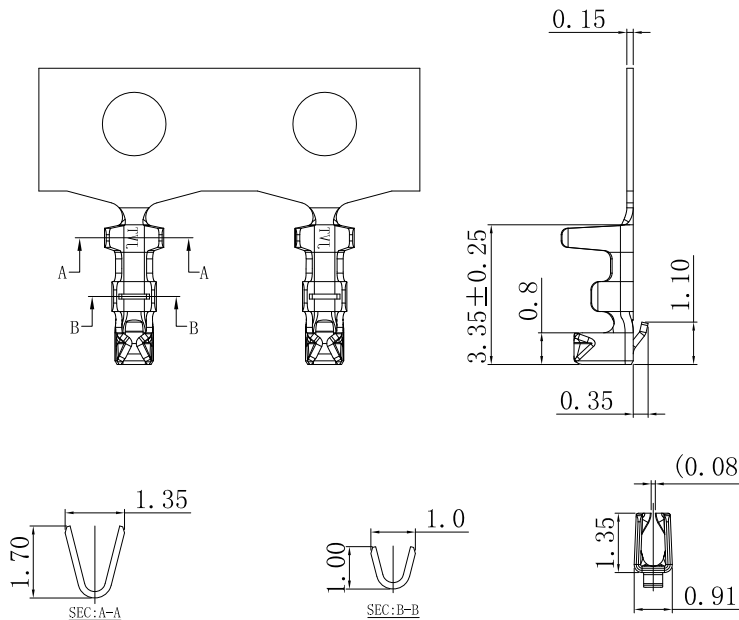


| Poles | Dimensions (mm) | | | |
|-------|-----------------|-------|-------|-------|
| | A | B | C | D |
| 02P | 1.25 | 4.35 | 3.15 | 2.95 |
| 03P | 2.50 | 5.60 | 4.40 | 4.20 |
| 04P | 3.75 | 6.85 | 5.65 | 5.45 |
| 05P | 5.00 | 8.10 | 6.90 | 6.70 |
| 06P | 6.25 | 9.35 | 8.15 | 7.95 |
| 07P | 7.50 | 10.60 | 9.40 | 9.20 |
| 08P | 8.75 | 11.85 | 10.65 | 10.45 |
| 09P | 10.00 | 13.10 | 11.90 | 11.70 |
| 10P | 11.25 | 14.35 | 13.15 | 12.95 |
| 11P | 12.50 | 15.60 | 14.40 | 14.20 |
| 12P | 13.75 | 16.85 | 15.65 | 15.45 |
| 13P | 15.00 | 18.10 | 16.90 | 16.70 |
| 14P | 16.25 | 19.35 | 18.15 | 17.95 |
| 15P | 17.50 | 20.60 | 19.40 | 19.20 |
| 16P | 18.75 | 21.85 | 20.65 | 20.45 |

Unit:mm

JVT1146T

1.25mm Pitch Crimp Terminal



JVT1146TP-SNS-01

Logo
Series NO.
T-Terminal
P-Phosphor
bronze

01-Distinguishing code
S-Stamping
before Plating
E-Plating
before stamping
Tin Plated

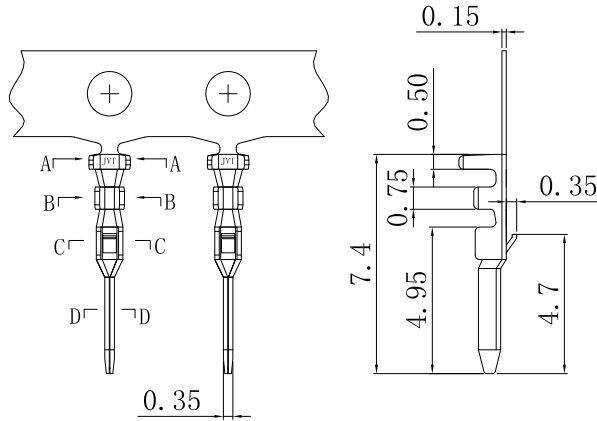
| | | | | | |
|---------------|-------------|-------------|------------|-----------------|--------------------|
| JVT1146TP-SNS | Phos Bronze | Tin Plated | AWG#28~32 | 0.9mm(Max) | JVT1146 Housing |
| PART NO | Material | Finish(Pin) | Wire Range | Insulation O.D. | Mates With Part(s) |

JVT1146 SERIES

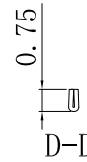
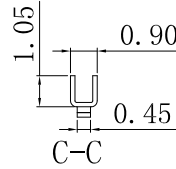
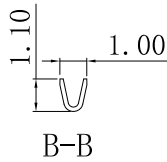
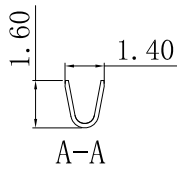
1.25mm pitch wire to wire connector

JVT1146T

1.25mm Pitch Crimp Terminal



JVT1146TP-SNSW-B
 Logo
 Series NO.
 T-Terminal
 P-Phosphor bronze
 B-B Mode
 The matching rubber shell is the mother rubber shell
 S-Stamping before Plating
 Tin Plated



| | | | | | |
|------------------|-------------|-------------|------------|-----------------|--------------------|
| JVT1146TP-SNSW-B | Phos Bronze | Tin Plated | AWG#26~30 | 1.00mm(Max) | JVT1146 Housing |
| PART NO | Material | Finish(Pin) | Wire Range | Insulation O.D. | Mates With Part(s) |