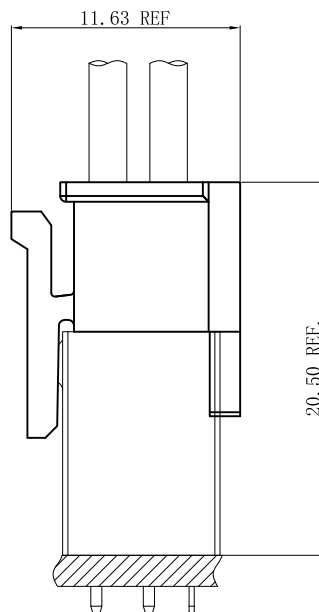


Specifications

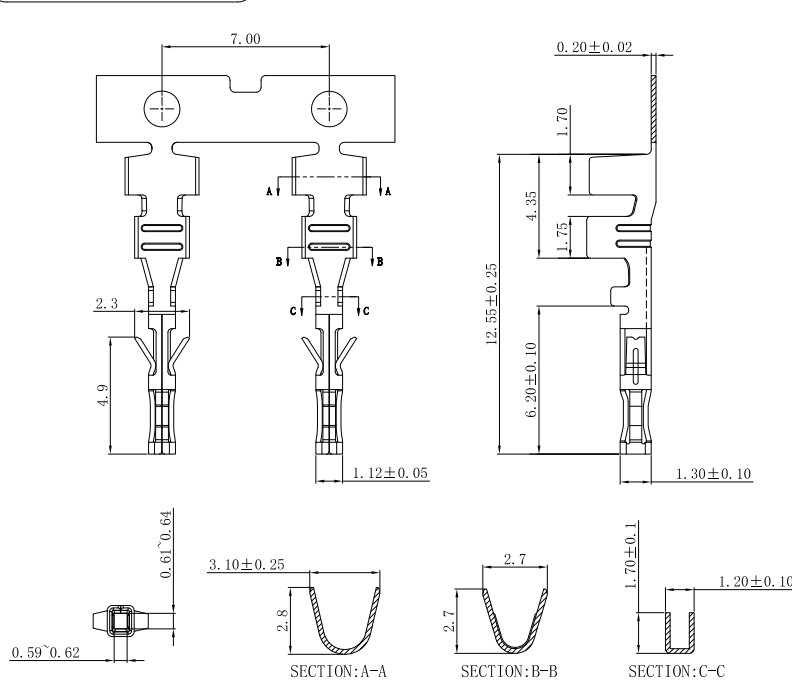
- Voltage rating: 250V AC, DC
- Current Rating: 5A, AC, DC
- Withstand voltage: 1500V AC/minute
- Contact resistance: 20mΩ max
- Insulation resistance: 1000MΩ min
- Temperature range: -40°C ~ +105°C
- *Suitable JVT3025T-C series Terminal
JVT3025T-D series Terminal
JVT3026W-12+04 series Wafer
- Compliant with RoHS and REACH
Contact JVT for details

Assembly layout



JVT3025T

3.0mm Pitch Crimp Terminal

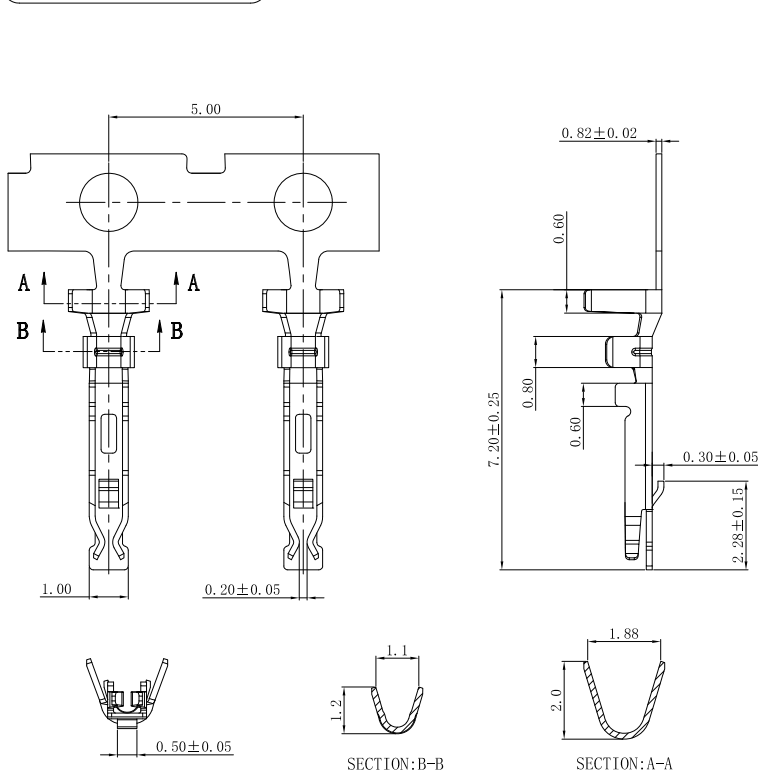


JVT3025TCZ-SNS-C
 Logo
 Series NO.
 T-Terminal
 CZ-Cu-Cr-Zr
 C-C Mode
 S-Stamping
 before Plating
 Tin Plated

| | | | | | |
|------------------|----------|-------------|------------|------------------|--------------------|
| JVT3025TCZ-SNS-C | Cu-Cr-Zr | Tin Plated | AWG#20~24 | 1.6mm(Max) | JVT3025 HOUSING |
| PART NO | Material | Finish(Pin) | Wire Range | Insulation O. D. | Mates With Part(s) |

JVT3025T

3.0mm Pitch Crimp Terminal



JVT3025TP-SNS-D
 Logo
 Series NO.
 T-Terminal
 P-Phosphor
 D-D Mode
 S-Stamping
 before Plating
 SN-Tin plated
 bronze

| | | | | | |
|-----------------|-------------|-------------|------------|------------------|--------------------|
| JVT3025TP-SNS-D | Phos Bronze | Tin Plated | AWG#20~24 | 1.6mm(Max) | JVT3025 HOUSING |
| PART NO | Material | Finish(Pin) | Wire Range | Insulation O. D. | Mates With Part(s) |

JVT3025H

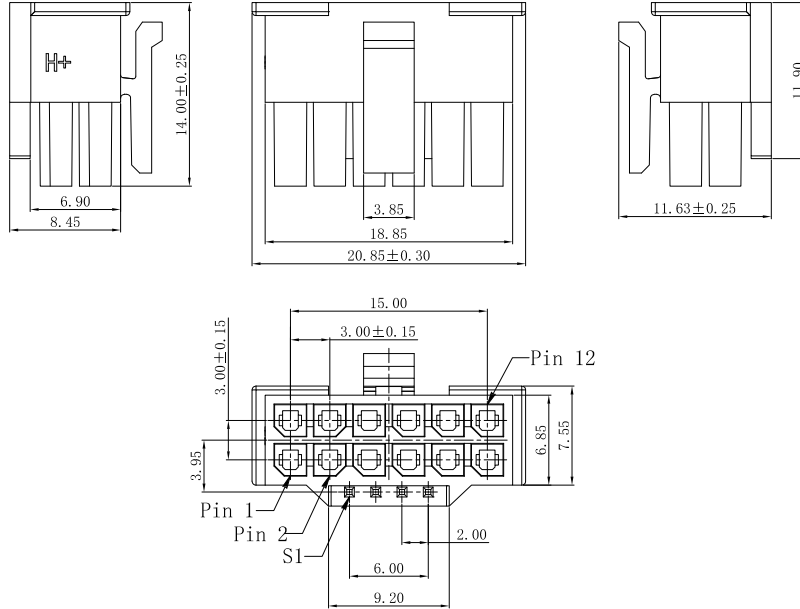
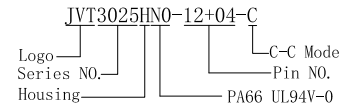
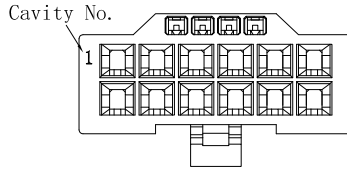
3.0mm Pitch housing

HOUSING

Part No.: JVT3025HN0-12+04-C

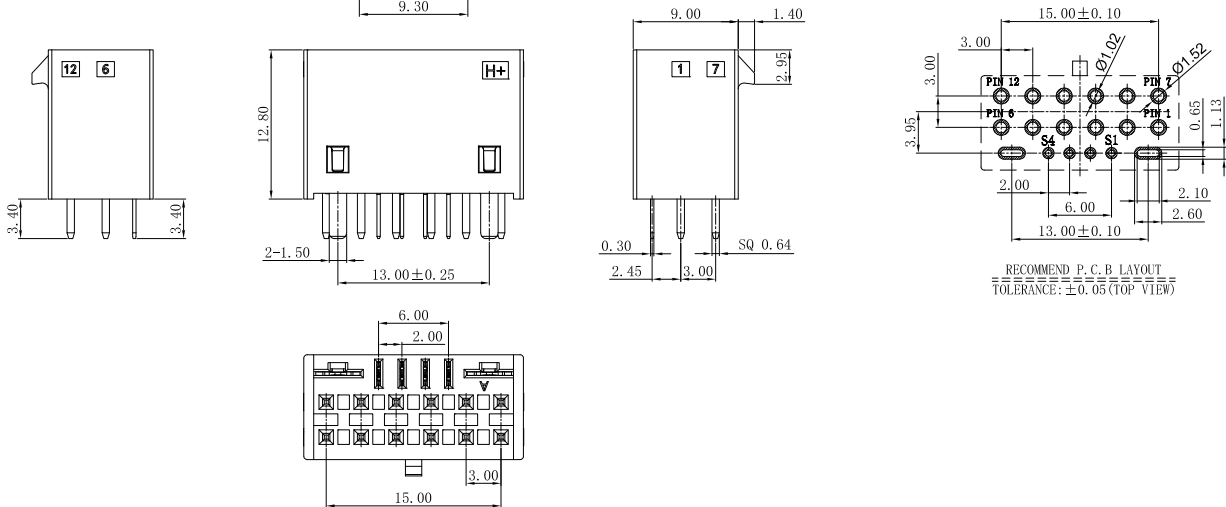
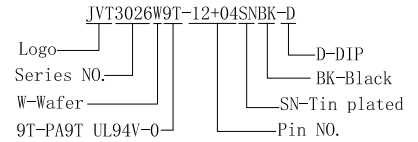
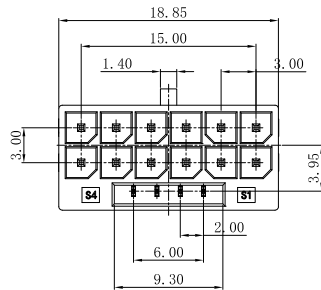
Material: PA66 UL94V-0

Mates With Part(s): JVT3025 Terminal



JVT3026W

3.0mm Pitch wafer



RECOMMEND P. C. B. LAYOUT
TOLERANCE: ±0.05 (TOP VIEW)

| | | | | | | |
|------------------------|--------------|---------------|-----------|-----------------|------------|--------------------|
| JVT3026W9T-12+04SNBK-D | PA9T UL94V-0 | C1100 | Brass | Phosphor Bronze | Tin Plated | JVT3025 Housing |
| PART NO | Material | PWR & GND PIN | SENSE Pin | Board Lock | Finish | Mates With Part(s) |