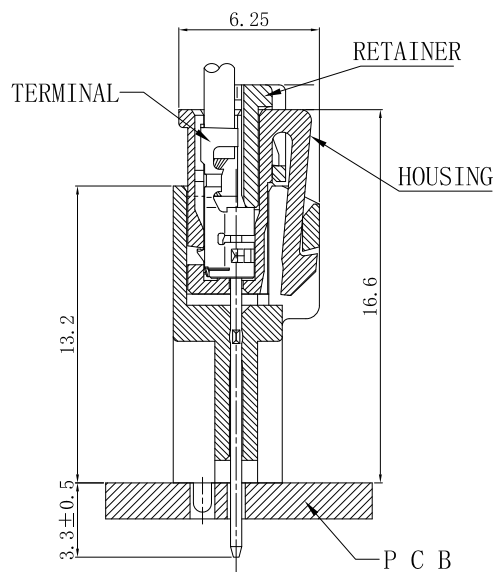


## Specifications

- Voltage rating: 250V AC, DC
- Current Rating: 2.5A, AC, DC
- Withstand voltage: 1000V AC/minute
- Contact resistance: 20mΩ max
- Insulation resistance: 1000MΩ min
- Temperature range: -40°C ~ +105°C
- Compliant with RoHS and REACH
- Contact JVT for details

## Assembly layout



LAYOUT OF EACH CKTS.

**JVT2075 SERIES**

2.0mm pitch wire to board connector

**JVT2075H**

2.0mm Pitch housing

HOUSING

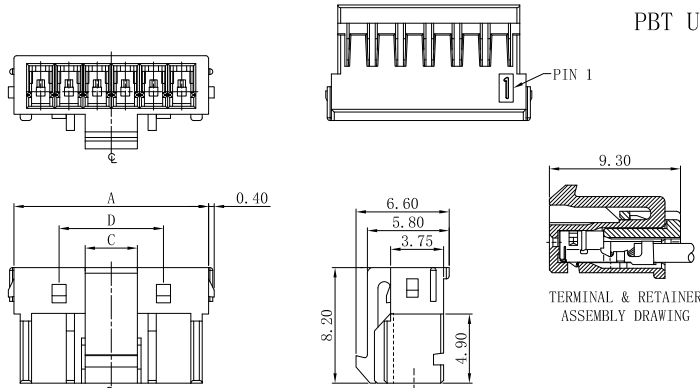
Part No. : JVT2075HPT-XXXXML

Material: PBT UL94V-0

Mates With Part(s): JVT2075 Terminal

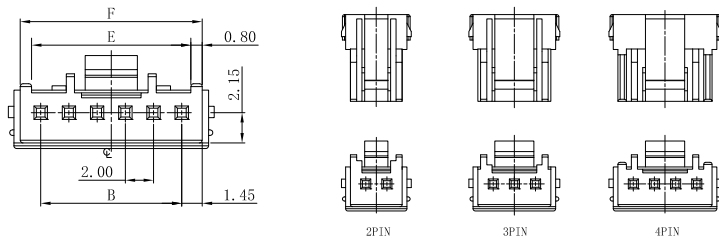
JVT2075HPT-XXXXML

Logo  
Series NO.  
Housing  
PBT UL94V-0  
L-Lock  
M-Male  
Blank-Natural  
BK-Black  
RE-Red  
YE-Yellow  
BL-Blue  
GR-Green  
Pin NO.



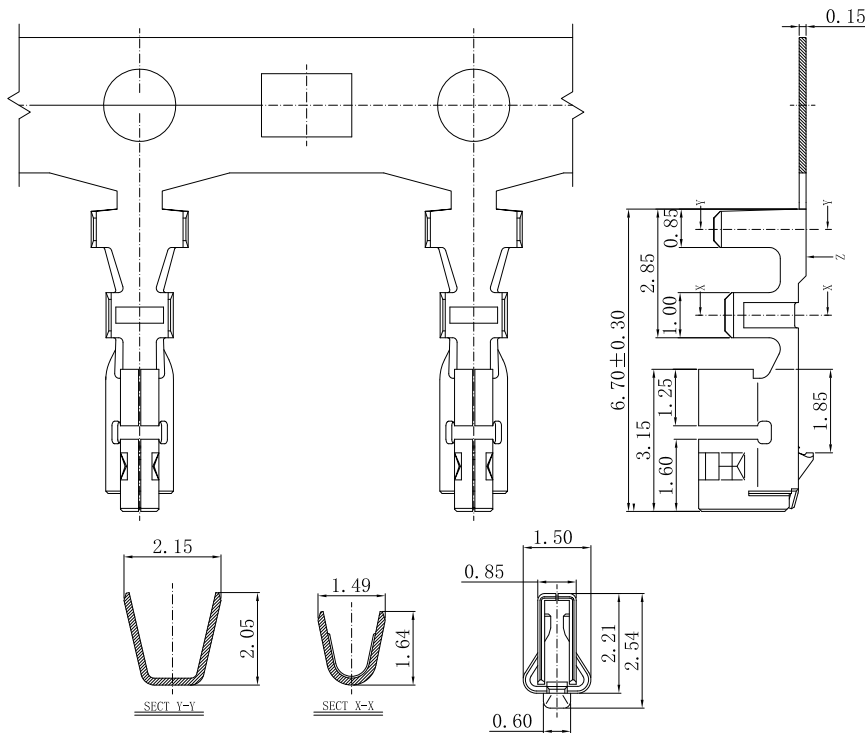
TERMINAL & RETAINER ASSEMBLY DRAWING

CKT	A	B	C	D	E	F
2	5.8	2	2.2			4.9
3	7.8	4	3.7			6.9
4	9.8	6	3.7		7.3	8.9
5	11.8	8	3.7	7.4	9.3	10.9
6	13.8	10	3.7	7.4	11.3	12.9
7	15.8	12	3.7	7.4	13.3	14.9
8	17.8	14	3.7	7.4	15.3	16.9
9	19.8	16	3.7	7.4	17.3	18.9
10	21.8	18	3.7	7.4	19.3	20.9
11	23.8	20	3.7	7.4	21.3	22.9
12	25.8	22	3.7	7.4	23.3	24.9
13	27.8	24	3.7	7.4	25.3	26.9
14	29.8	26	3.7	7.4	27.3	28.9
15	31.8	28	3.7	7.4	29.3	30.9



**JVT2075T**

2.0mm Pitch Crimp Terminal



JVT2075TP-SNSW  
Logo  
Series NO.  
T-Terminal  
P-Phosphor bronze  
W-Female  
S-Stamping before Plating  
SN-Tin Plated

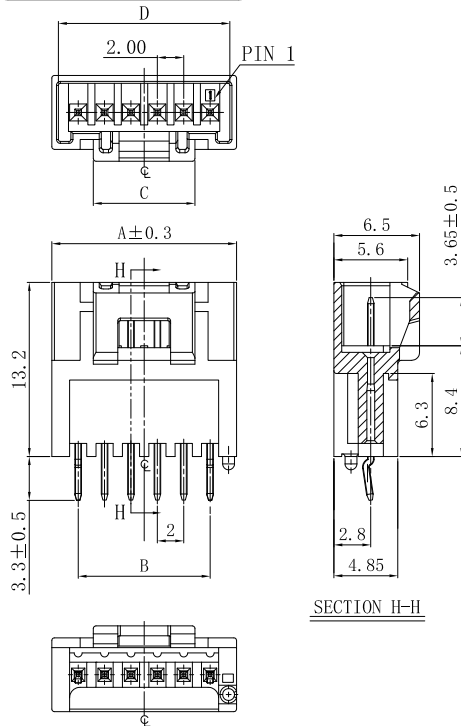
JVT2075TP-SNS	Phos Bronze	Tin Plated	AWG#22~28	1.50mm(Max)	JVT2075 HOUSING
PART NO	Material	Finish(Pin)	Wire Range	Insulation O.D.	Mates With Part(s)

**JVT2075 SERIES**

2.0mm pitch wire to board connector

**JVT2075W**

2.0mm Pitch Wafer-DIP TYPE



JVT2075WN0-XXXXSN-D

Logo  
Series NO.  
Housing  
NO-PA66 UL94V-0

D-DIP  
SN-Tin Plated  
Blank-White  
RE-Red  
YE-Yellow  
BL-Blue  
GR-Green  
Pin NO.

CKT	A	B	C	D
2	6	2	6	5
3	8	4	7.7	7
4	10	6		9
5	12	8		11
6	14	10		13
7	16	12		15
8	18	14		17
9	20	16		19
10	22	18		21
11	24	20		23
12	26	22		25
13	28	24		27
14	30	26		29
15	32	28		31

JVT2075WN0-XXXXSN-D	PA66 UL94V-0	Brass	Tin plated	JVT2075 Housing
PART NO	Material	Material (Pin)	Finish (Pin)	Mates With Part (s)

**JVT2075C**

2.0mm Pitch Wire nail

HOUSING

Part No. : JVT2075CPT-XXGY

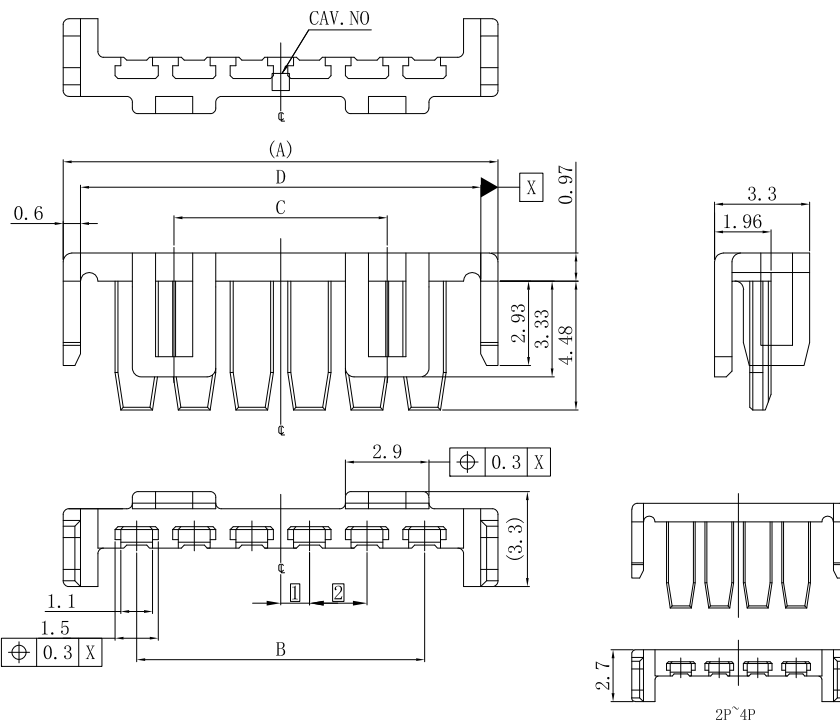
Material: PBT UL94V-0

Mates With Part (s): JVT2075 Housing

JVT2075CPT-XXGY

Logo  
Series NO.  
Wire nail

Gray  
Pin NO.  
PBT UL94V-0



CKT	A	B	C	D
2	7.1	2	7.4	5.9
3	9.1	4		7.9
4	11.1	6		9.9
5	13.1	8		11.9
6	15.1	10		13.9
7	17.1	12		15.9
8	19.1	14		17.9
9	21.1	16		19.9
10	23.1	18		21.9
11	25.1	20		23.9
12	27.1	22		25.9
13	29.1	24		27.9
14	31.1	26		29.9
15	33.1	28		31.9