

Specifications

- Voltage rating: 50V AC, DC
- Current Rating: 3.5A, AC, DC
- Withstand voltage: 1000V AC/minute
- Contact resistance: 20m Ω max
- Insulation resistance: 100M Ω min
- Temperature range: -40 $^{\circ}$ C ~ +125 $^{\circ}$ C
- Compliant with RoHS and REACH
- Contact JVT for details

JVT2506 SERIES

2.5mm pitch wire to board connector

JVT2506H

2.5mm Pitch housing

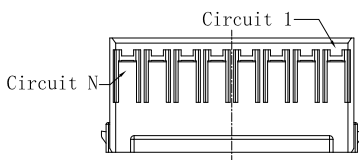
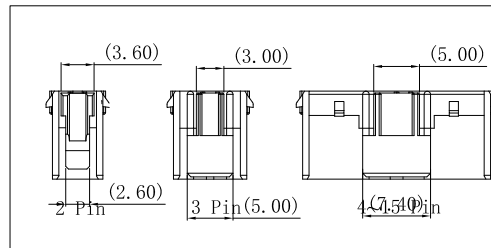
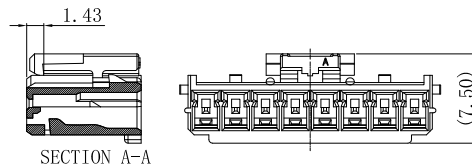
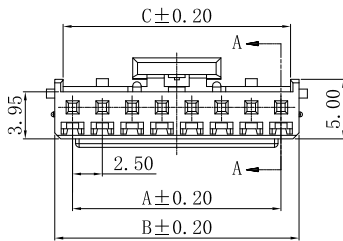
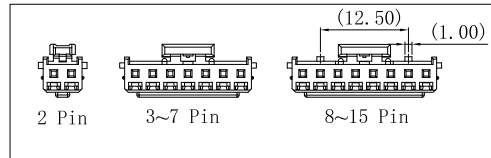
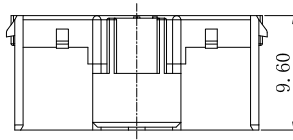
HOUSING

Part No.: JVT2506HN0-XXL

Material: PA66 UL94V-0

Mates With Part(s): JVT2506 Terminal

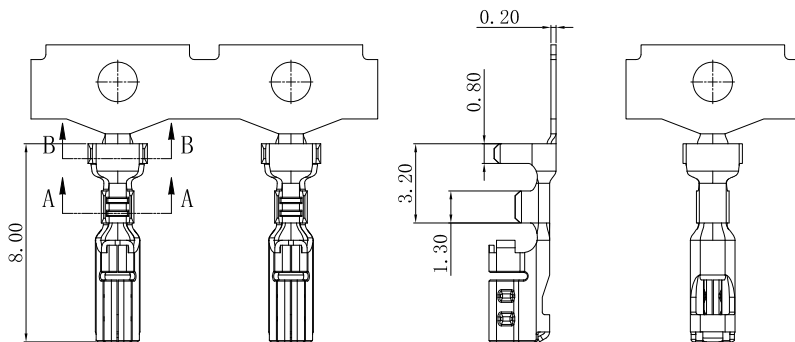
JVT2506HN0-XXL
Logo
Series NO.
HSG
PA66 UL94V-0
L-Lock
Pin NO.



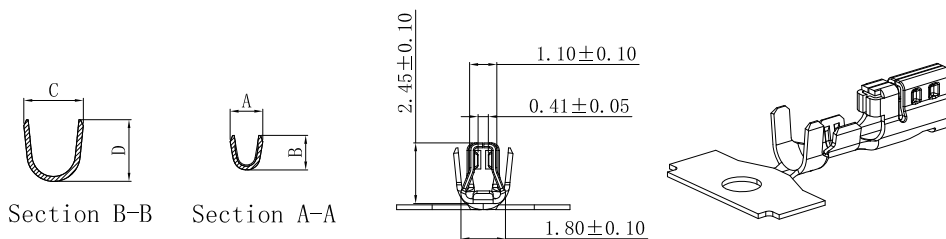
Poles	Dimensions/mm		
	A	B	C
2	2.50	5.50	4.10
3	5.00	8.00	6.60
4	7.50	10.50	9.10
5	10.00	13.00	11.60
6	12.50	15.50	14.10
7	15.00	18.00	16.60
8	17.50	20.50	19.10
9	20.00	23.00	21.60
10	22.50	25.50	24.10
11	25.00	28.00	26.60
12	27.50	30.50	29.10
13	30.00	33.00	31.60
14	32.50	35.50	34.10
15	35.00	38.00	36.60

JVT2506T

2.5mm Pitch Crimp Terminal



JVT2506TP-SNSX
Logo
Series NO.
T-Terminal
P-Phosphor bronze
H-High feet
L-Low feet
S-Stamping before Plating
SN-Tin Plated



JVT2506TP-SNSH	Phos Bronze	Tin Plated	AWG#20~22 (0.35~0.5mm ²)	1.50~1.80mm	1.90	2.05	2.90	2.50
JVT2506TP-SNSL			AWG#24 (0.22mm ²)	1.28~1.42mm	1.30	1.40	2.40	2.50
PART NO	Material	Finish(Pin)	Wire Range	Insulation O.D.	DIM A	DIM B	DIM C	DIM D

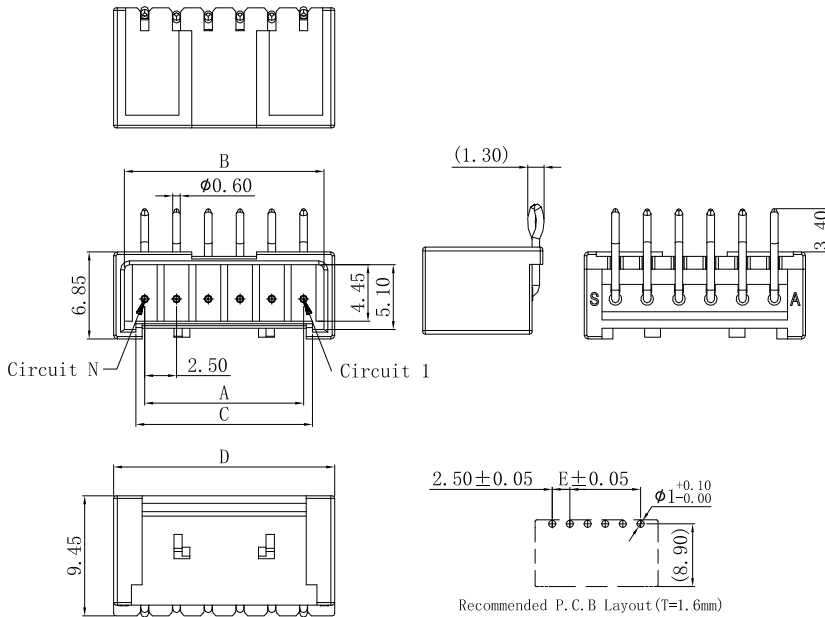
JVT2506 SERIES

2.5mm pitch wire to board connector

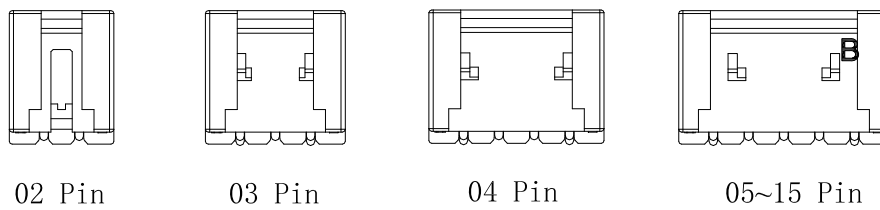
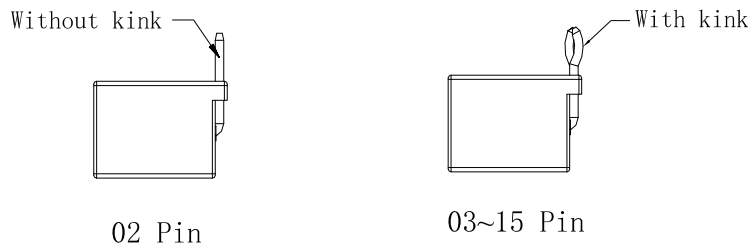
JVT2506W

2.5mm Pitch Wafer-DIP 90° TYPE

JVT2506W9T-XXSNRK-D
Logo
Series NO-
Wafer-
PA9T UL94V-0
D-DIP
K-With kink
R-90°
Tin Plated
Pin NO.



Poles	Dimensions/mm				
	A	E	B	C	D
2	2.50	5.70	3.90	7.40	
3	5.00	8.20	6.40	9.90	
4	7.50	10.70	8.90	12.40	
5	10.00	13.20	11.40	14.90	
6	12.50	15.70	13.90	17.40	
7	15.00	18.20	16.40	19.90	
8	17.50	20.70	18.90	22.40	
9	20.00	23.20	21.40	24.90	
10	22.50	25.70	23.90	27.40	
11	25.00	28.20	26.40	29.90	
12	27.50	30.70	28.90	32.40	
13	30.00	33.20	31.40	34.90	
14	32.50	35.70	33.90	37.40	
15	35.00	38.20	36.40	39.90	



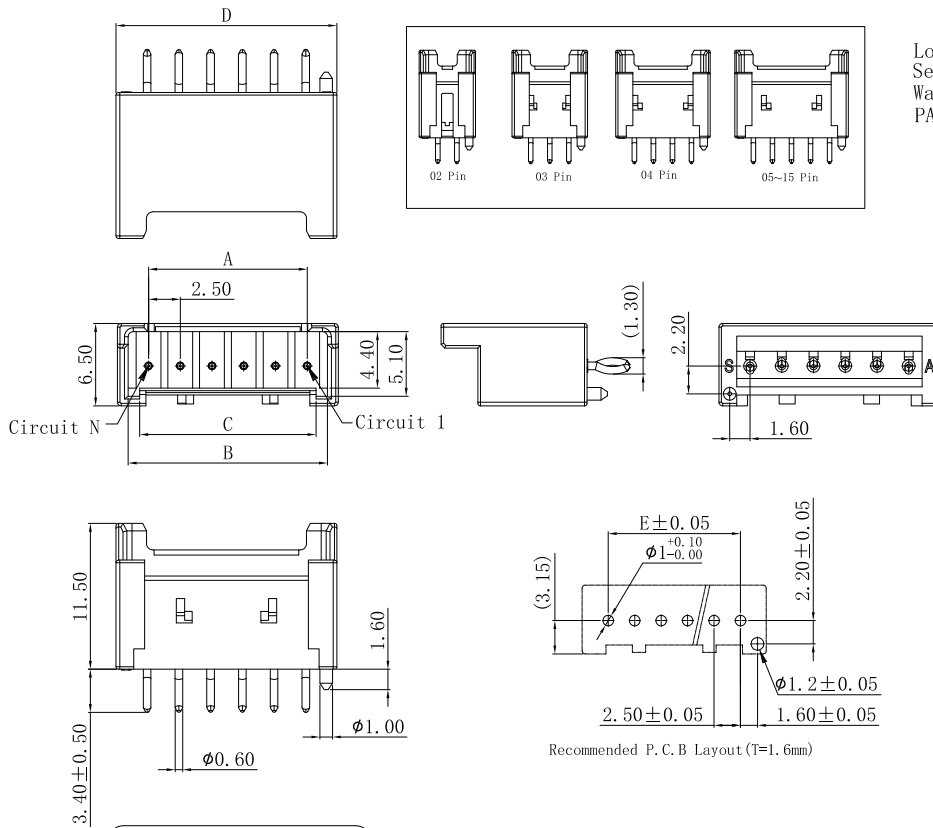
JVT2506W9T-XXSNRK-D	PA9T UL94V-0	Brass	Tin plated	JVT2506 Housing
PART NO	Material	Material(Pin)	Finish(Pin)	Mates With Part(s)

JVT2506 SERIES

2.5mm pitch wire to board connector

JVT2506W

2.5mm Pitch Wafer-DIP TYPE



JVT2506W9T-XXSNK-D
Logo
Series NO-
Wafer-
PA9T UL94V-0
D-DIP
K-With kink
Tin Plated
Pin NO.

Poles	Dimensions/mm				
	A	E	B	C	D
2	2.50	5.70	3.90	7.40	
3	5.00	8.20	6.40	9.90	
4	7.50	10.70	8.90	12.40	
5	10.00	13.20	11.40	14.90	
6	12.50	15.70	13.90	17.40	
7	15.00	18.20	16.40	19.90	
8	17.50	20.70	18.90	22.40	
9	20.00	23.20	21.40	24.90	
10	22.50	25.70	23.90	27.40	
11	25.00	28.20	26.40	29.90	
12	27.50	30.70	28.90	32.40	
13	30.00	33.20	31.40	34.90	
14	32.50	35.70	33.90	37.40	
15	35.00	38.20	36.40	39.90	

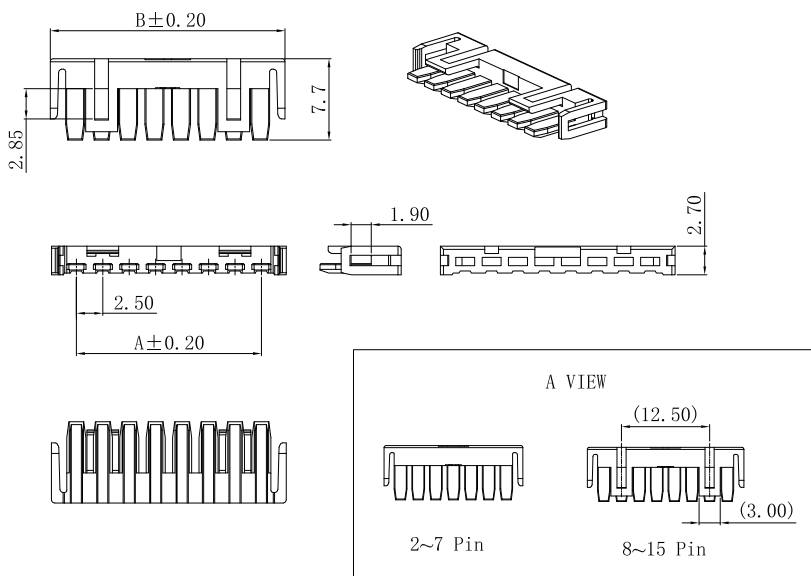
Recommended P.C.B Layout (T=1.6mm)

JVT2506C

2.5mm Pitch wire nail

Wire nail
Part No. : JVT2506CPT-XXXX
Material: PBT UL94V-0
Mates With Part(s): JVT2506 Housing

JVT2506CPT-XXXX
Logo
Series NO-
Wire nail
PBT UL94V-0
BK-Black
GY-Gray
Pin NO.



Poles	Dimensions/mm	
	A	B
2	2.50	7.20
3	5.00	9.70
4	7.50	12.20
5	10.00	14.70
6	12.50	17.20
7	15.00	19.70
8	17.50	22.20
9	20.00	24.70
10	22.50	27.20
11	25.00	29.70
12	27.50	32.20
13	30.00	34.70
14	32.50	37.20
15	35.00	39.70