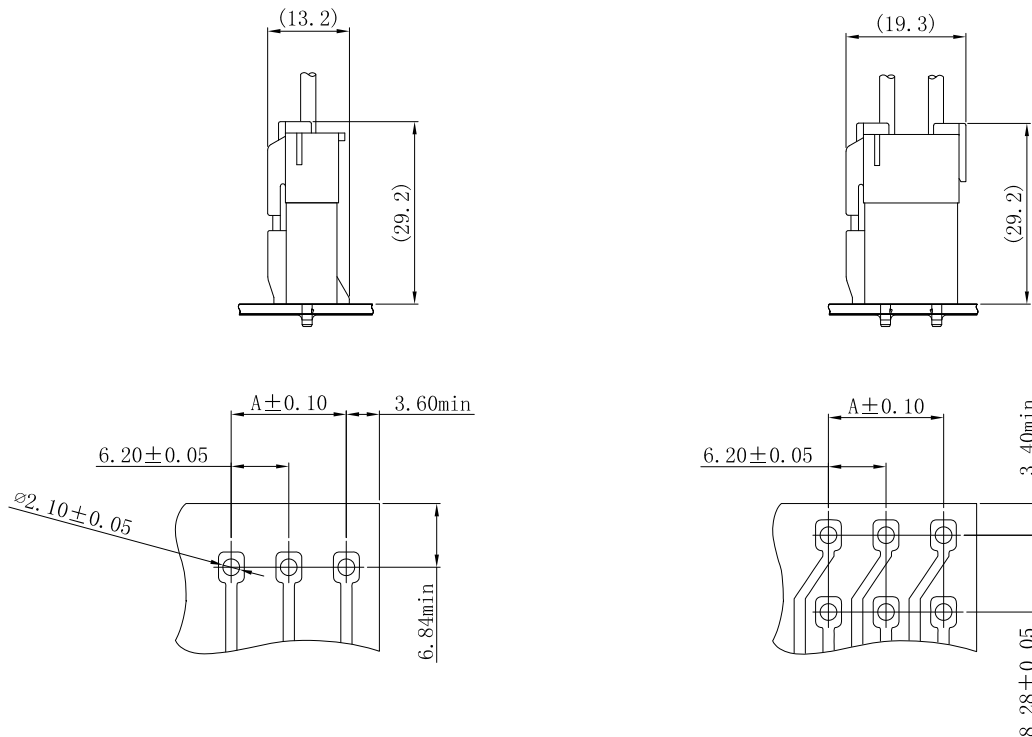


Specifications

- Voltage rating: 600V AC, DC
- Current Rating: 20A, AC, DC
- Withstand voltage: 2000V AC/minute
Contact resistance: 7mΩ max
Insulation resistance: 100MΩ min
- Temperature range: -40°C ~ +105°C
- Compliant with RoHS and REACH
- Contact JVT for details

Assembly layout



JVT6201 SERIES

6.2mm pitch wire to board connector

JVT6201H

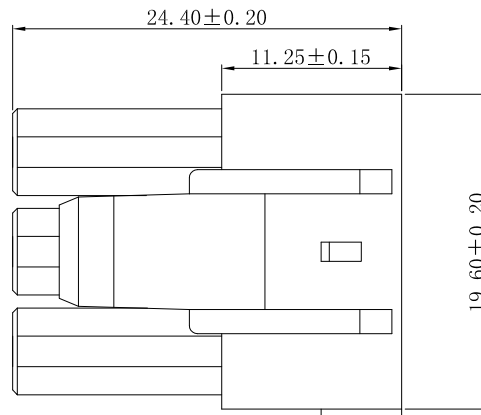
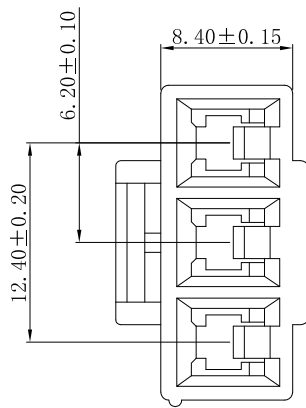
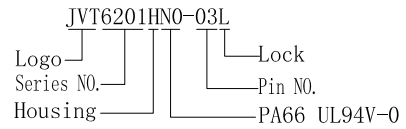
6.2mm Pitch housing

HOUSING

Part No. : JVT6201HNO-03L

Material: Nylon 66 UL94V-0

Mates With Part(s) : JVT6201 Terminal



JVT6201H

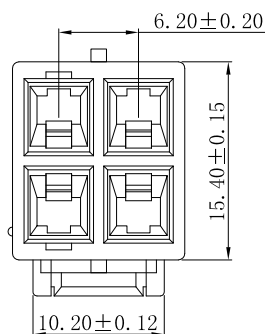
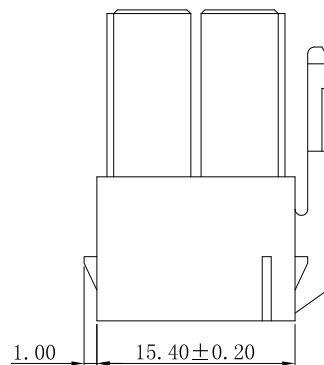
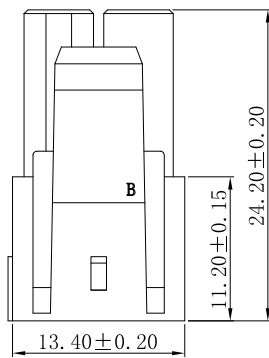
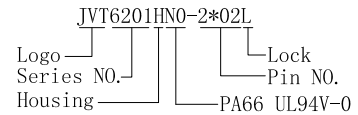
6.2mm Pitch housing

HOUSING

Part No. : JVT6201HNO-2*02L

Material: Nylon 66 UL94V-0

Mates With Part(s) : JVT6201 Terminal

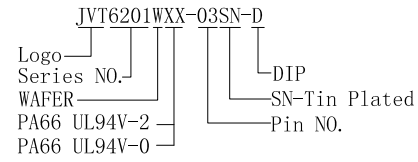
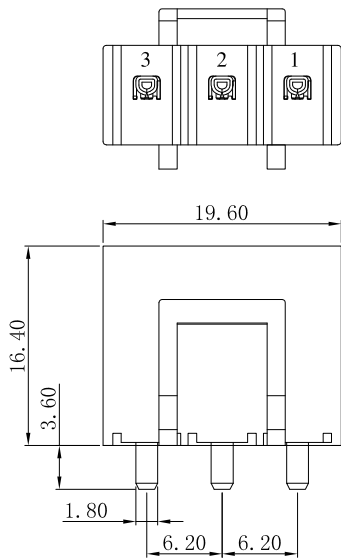


JVT6201 SERIES

6.2mm pitch wire to board connector

JVT6201W

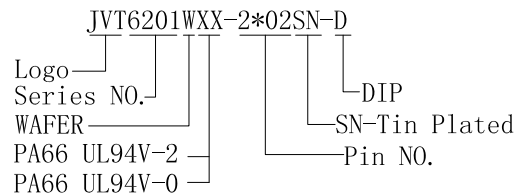
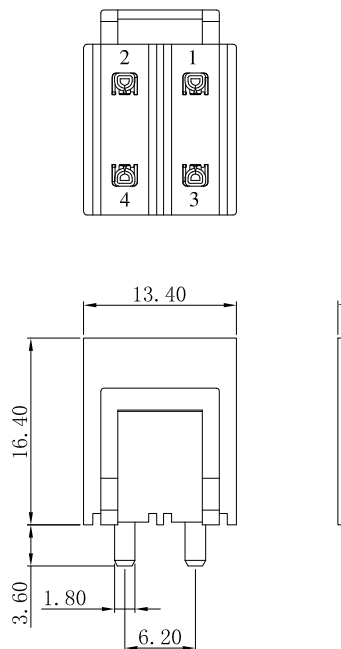
6.2mm Pitch Wafer



JVT6201WXX-03SN-D	PA66 UL94V-0/2	Brass	Tin Plated	JVT6201 Housing
PART NO	Material	Material(Pin)	Finish(Pin)	Mates With Part(s)

JVT6201W

6.2mm Pitch Wafer



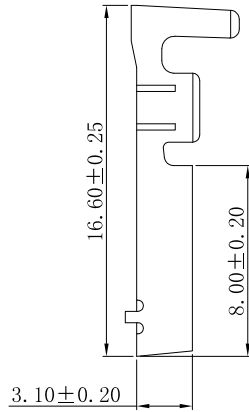
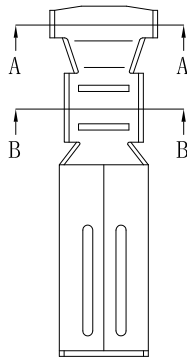
JVT6201WXX-2*02SN-D	PA66 UL94V-0/2	Brass	Tin Plated	JVT6201 Housing
PART NO	Material	Material(Pin)	Finish(Pin)	Mates With Part(s)

JVT6201 SERIES

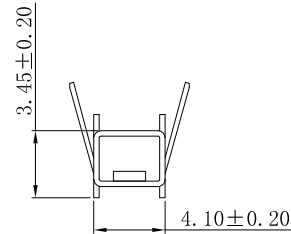
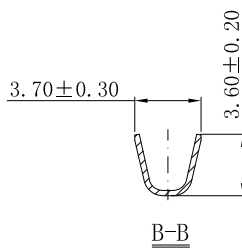
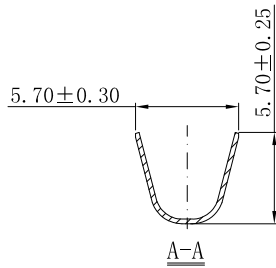
6.2mm pitch wire to board connector

JVT6201T

6.2mm Pitch Crimp Terminal



JVT6201TP-XXS
 Logo — S-Stamping
 Series NO. — before Plating
 Terminal — SN-Tin Plated
 Phosphor — SB-Antimony plated
 bronze



JVT6201TP-XXS	Phos Bronze	Tin Plated/ Antimony plated	AWG#14~18	4.1mm(Max)	JVT6201 Housing
PART NO	Material	Finish	Wire Range	Insulation O.D.	Mates With Part(s)