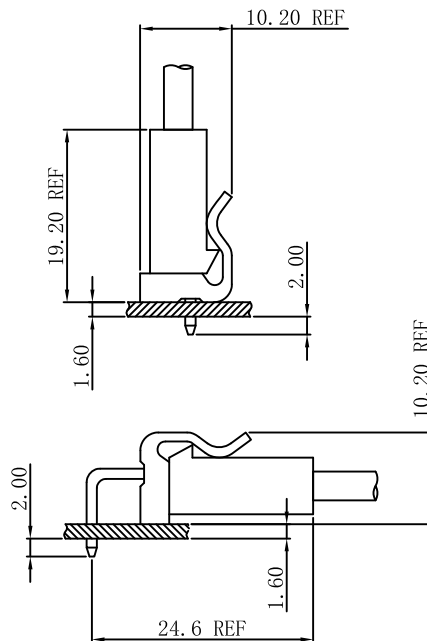


Specifications

- Voltage rating: 250V AC, DC
- Current Rating: 7A, AC, DC
- Withstand voltage: 1500V AC/minute
- Contact resistance: 20mΩ max
- Insulation resistance: 1000MΩ min
- Temperature range: -40°C ~ +105°C
- Compliant with RoHS and REACH
- Contact JVT for details

Assembly layout



JVT5002 SERIES

5.08mm pitch wire to board connector

JVT5002H

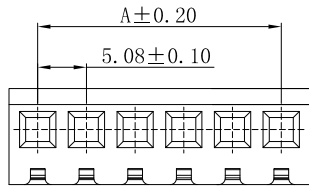
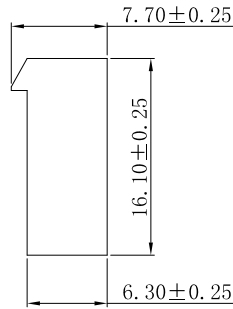
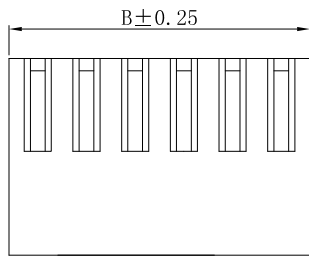
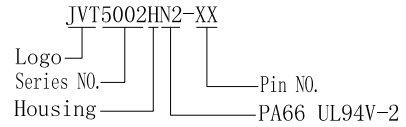
5.08mm Pitch housing

HOUSING

Part No.: JVT5002HN2-XX

Material: Nylon 66 UL94V-2

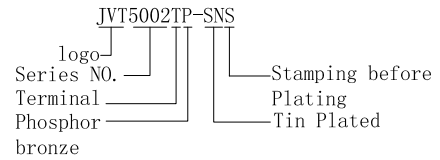
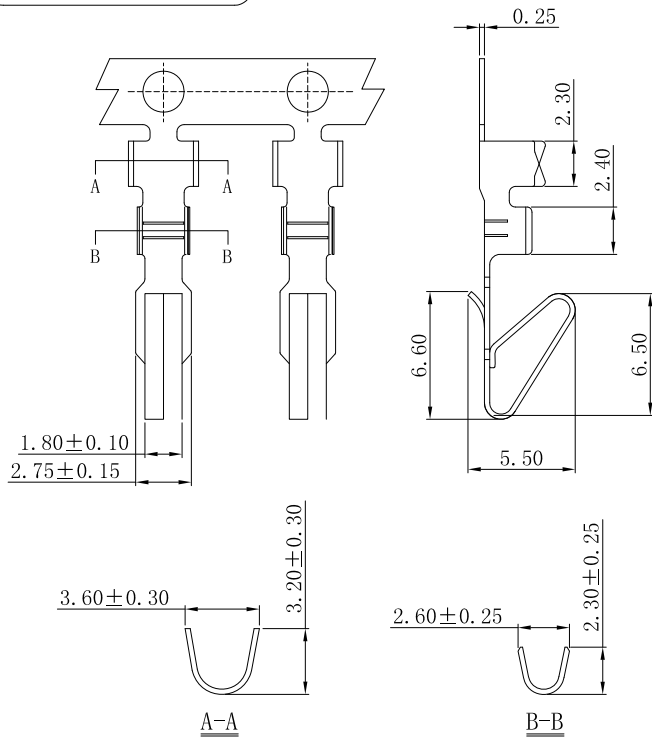
Mates With Part(s): JVT5002 Terminal



PIN	Dimensions (mm)	
	A	B
02	5.08	9.60
03	10.16	14.68
04	15.24	19.76
05	20.32	24.84
06	25.40	29.92
07	30.48	35.00
08	35.56	40.08
09	40.64	45.16
10	45.72	50.24
11	50.80	55.32
12	55.88	60.40
20	96.52	101.04

JVT5002T

5.08mm Pitch Terminal



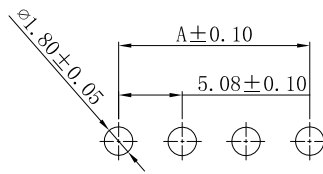
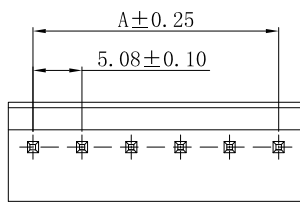
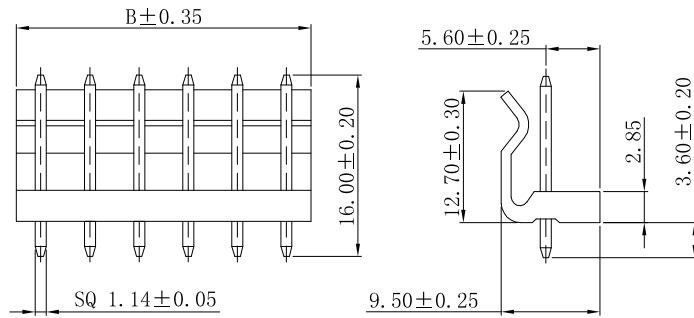
JVT5002TP-SNS	Phos Bronze	Tin Plated	AWG#18~24	2.10mm(Max)	JVT5002 HSG
PART NO	Material	Finish	Wire Range	Insulation O.D.	Mates With Part(s)

JVT5002 SERIES

5.08mm pitch wire to board connector

JVT5002W

5.08mm Pitch Wafer



PCB LAYOUT

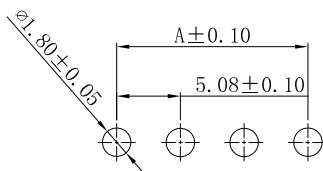
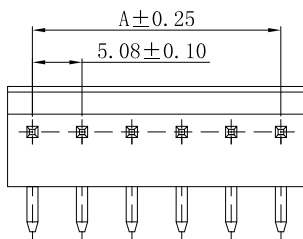
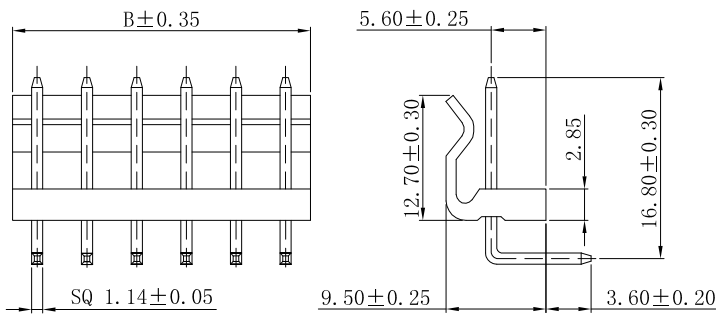
JVT5002WN2-XXSN-D
Logo
Series NO.
Wafer
PA66 UL94V-2
DIP
Tin Plated
Pin NO.

PIN	Dimensions (mm)	
	A	B
02	5.08	10.16
03	10.16	15.24
04	15.24	20.32
05	20.32	25.40
06	25.40	30.48
07	30.48	35.56
08	35.56	40.64
09	40.64	45.72
10	45.72	50.80
11	50.80	55.88
12	55.88	60.96
20	96.52	101.60

JVT5002WN2-XXSN-D	PA66 UL94V-2	Brass	Tin Plated	JVT5002 Housing
PART NO	Material	Material(Pin)	Finish(Pin)	Mates With Part(s)

JVT5002WR

5.08mm Pitch Wafer



PCB LAYOUT

JVT5002WN2-XXSNR-D
Logo
Series NO.
Wafer
PA66 UL94V-2
DIP
Right Angle 90°
Tin Plated
Pin NO.

PIN	Dimensions (mm)	
	A	B
02	5.08	10.16
03	10.16	15.24
04	15.24	20.32
05	20.32	25.40
06	25.40	30.48
07	30.48	35.56
08	35.56	40.64
09	40.64	45.72
10	45.72	50.80
11	50.80	55.88
12	55.88	60.96
20	96.52	101.60

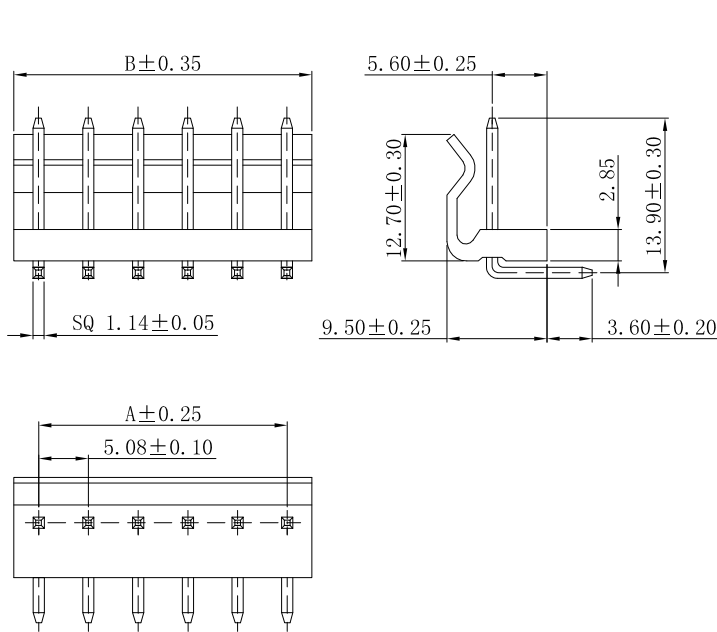
JVT5002WN2-XXSNR-D	PA66 UL94V-2	Brass	Tin Plated	JVT5002 Housing
PART NO	Material	Material(Pin)	Finish(Pin)	Mates With Part(s)

JVT5002 SERIES

5.08mm pitch wire to board connector

JVT5002WDR

5.08mm Pitch Wafer



JVT5002WN2-XXSNDR-D
Logo
Series NO.
Wafer
PA66 UL94V-2
DIP
Down right angle
Tin Plated
Pin NO.

PIN	Dimensions (mm)	
	A	B
02	5.08	10.16
03	10.16	15.24
04	15.24	20.32
05	20.32	25.40
06	25.40	30.48
07	30.48	35.56
08	35.56	40.64
09	40.64	45.72
10	45.72	50.80
11	50.80	55.88
12	55.88	60.96
20	96.52	101.60

JVT5002WN2-XXSNDR-D	PA66 UL94V-2	Brass	Tin Plated	JVT5002 Housing
PART NO	Material	Material(Pin)	Finish(Pin)	Mates With Part(s)