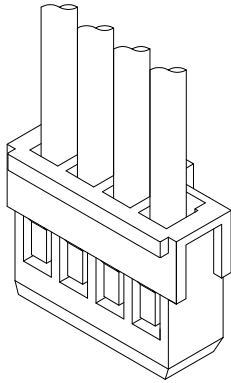
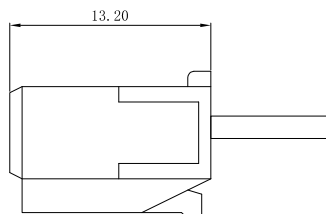


Specifications

- Voltage rating: 250V AC, DC
- Current Rating: 5A, AC, DC
- Withstand voltage: 1500V AC/minute
- Contact resistance: 10mΩ max
- Insulation resistance: 1000mΩ min
- Temperature range: -40°C ~ +105°C
- Compliant with RoHS and REACH
- Contact JVT for details



Assembly layout

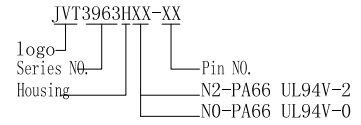
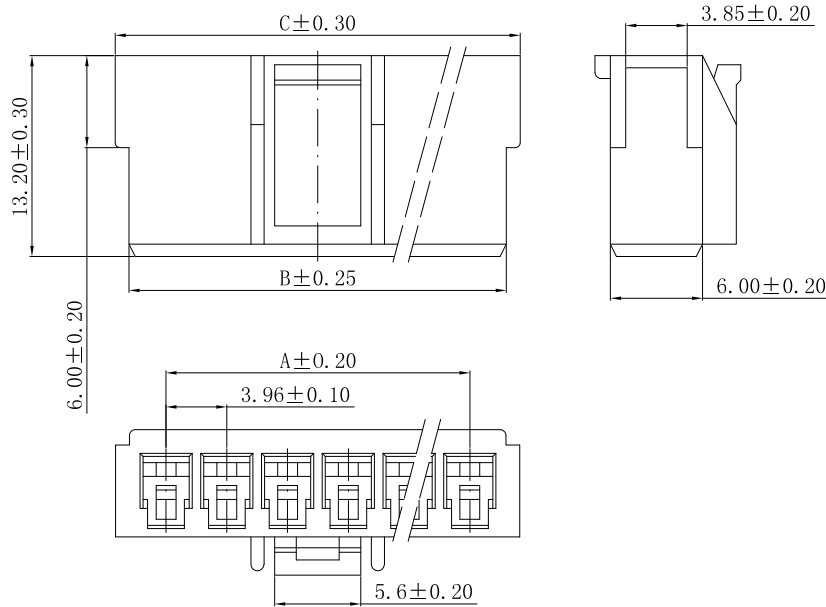


JVT3963 SERIES

3.96mm pitch wire to board connector

JVT3963H

3.96mm Pitch housing

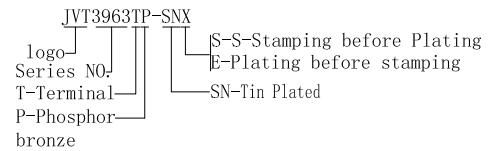
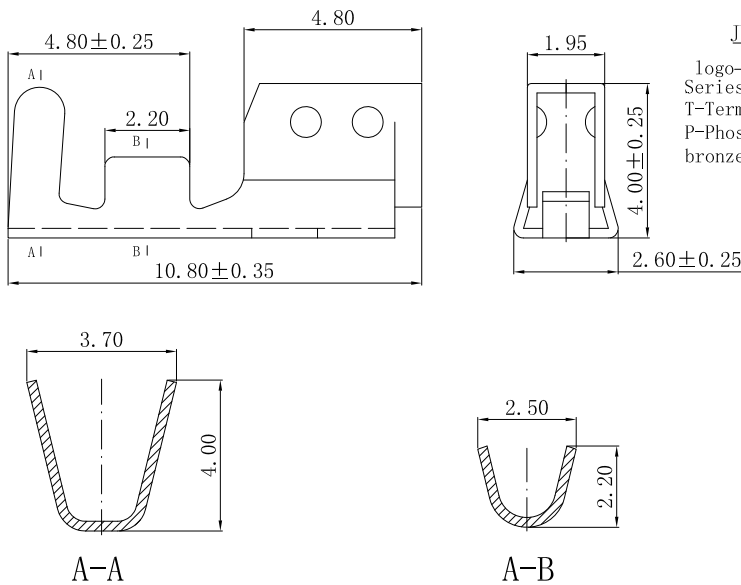


Poles	DIM(mm)		
	A	B	C
2	3.96	8.84	10.54
3	7.92	12.80	14.50
4	11.88	16.76	18.46
5	15.84	20.72	22.42
6	19.80	24.68	26.38
7	23.76	28.64	30.34
8	27.72	32.60	34.30
9	31.68	36.56	38.26
10	39.60	40.52	42.22
11	39.60	44.48	46.18
12	43.56	48.44	50.14
13	47.52	52.40	54.10
14	51.48	56.36	58.06
15	55.44	60.32	62.02

JVT3963HN2-XX	PA66 UL94V-2	JVT3963TP-SNX
JVT3963HN0-XX	PA66 UL94V-0	JVT3963TP-SNX
PART NO	Material	Mates With Part(s)

JVT3963T

3.96mm Pitch Crimp Terminal



JVT3963TP-SNX	Phos Bronze	Tin Plated	AWG#18-24	3.2mm(Max)	JVT3963 HOUSING
PART NO	Material	Finish(Pin)	Wire Range	Insulation O.D.	Mates With Part(s)