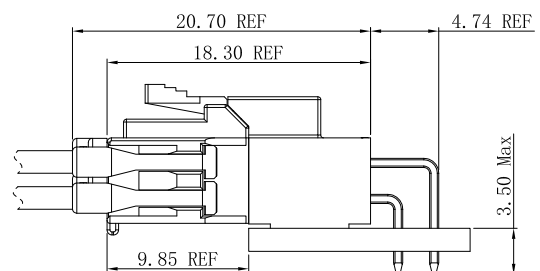
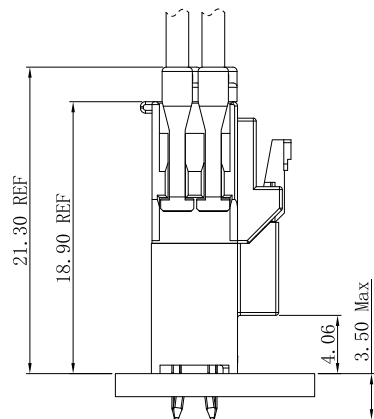
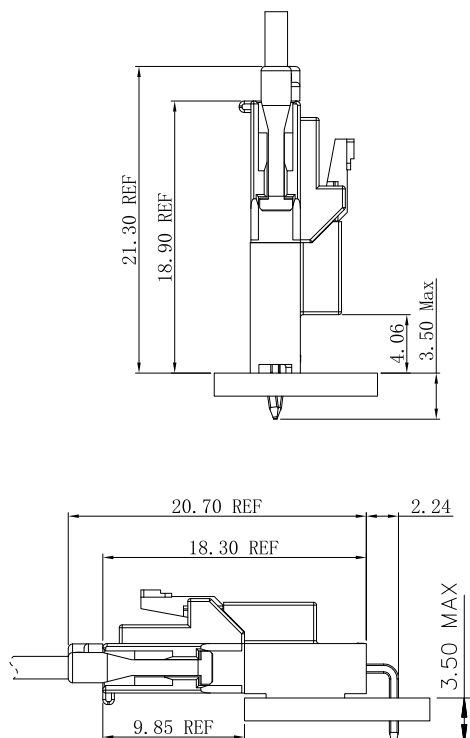


Specifications

- Voltage rating: 250V AC, DC
- Current Rating: 4A, AC, DC
- Withstand voltage: 1500V AC/minute
- Contact resistance: 10mΩ max
- Insulation resistance: 1000MΩ min
- Temperature range: -40°C ~ +105°C
- *Suitable JVT2515T series Terminal
JVT2515W series Wafer
- Compliant with RoHS and REACH
Contact JVT for details

Assembly layout



JVT2515H

2.5mm Pitch housing

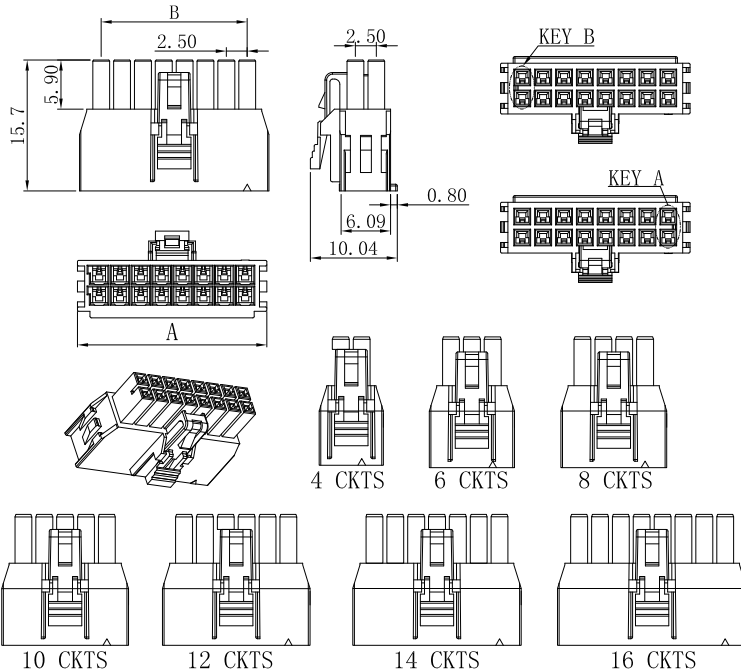
HOUSING

Part No.: JVT2515H46-2*XXXXL-X

Material: PA46 UL94V-0

Mates With Part(s): JVT2515 Terminal

JVT2515H46-2*XXXXL-X
Logo
Series NO.
Housing
PA46 UL94V-0
A-KEY A(Black)
B-KEY B(Natural)
L-Lock
BK-Black
Blank-natural color
Pin NO.



Part No.	Feature	Color
JVT2515H46-2*XXBK-L-A	KEY A	Black
JVT2515H46-2*XX-L-B	KEY B	Natural

PART NO	DIM. A	DIM. A
2*02	7.70	2.50
2*03	10.20	5.00
2*04	12.70	7.50
2*05	15.20	10.00
2*06	17.70	12.50
2*07	20.20	15.00
2*08	22.70	17.50

JVT2515H

2.5mm Pitch housing

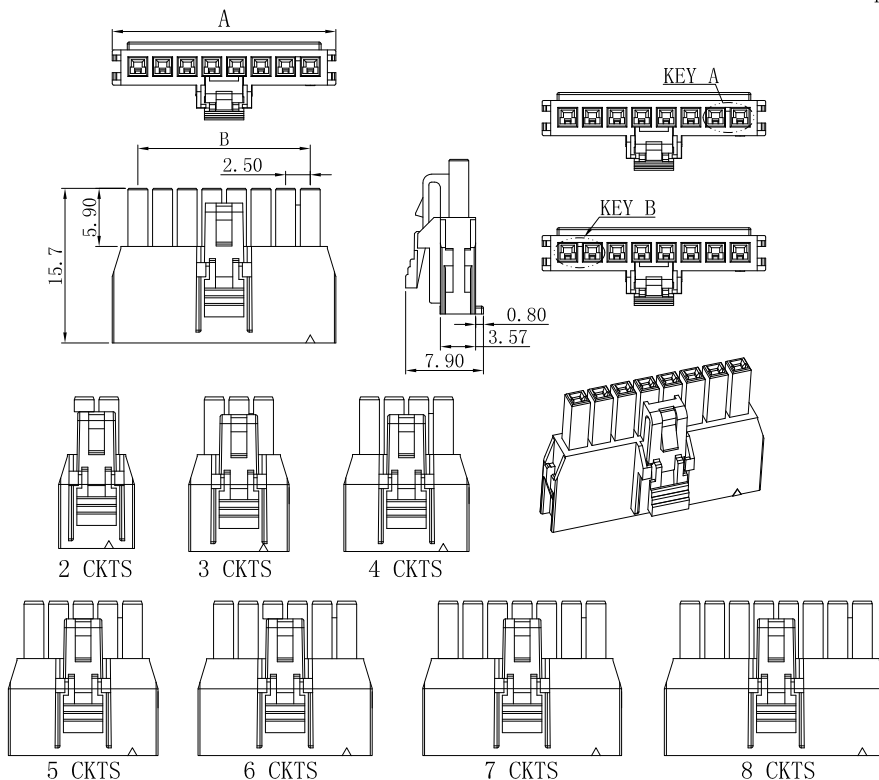
HOUSING

Part No.: JVT2515HN0-XXXXL-X

Material: PA66 UL94V-0

Mates With Part(s): JVT2515 Terminal

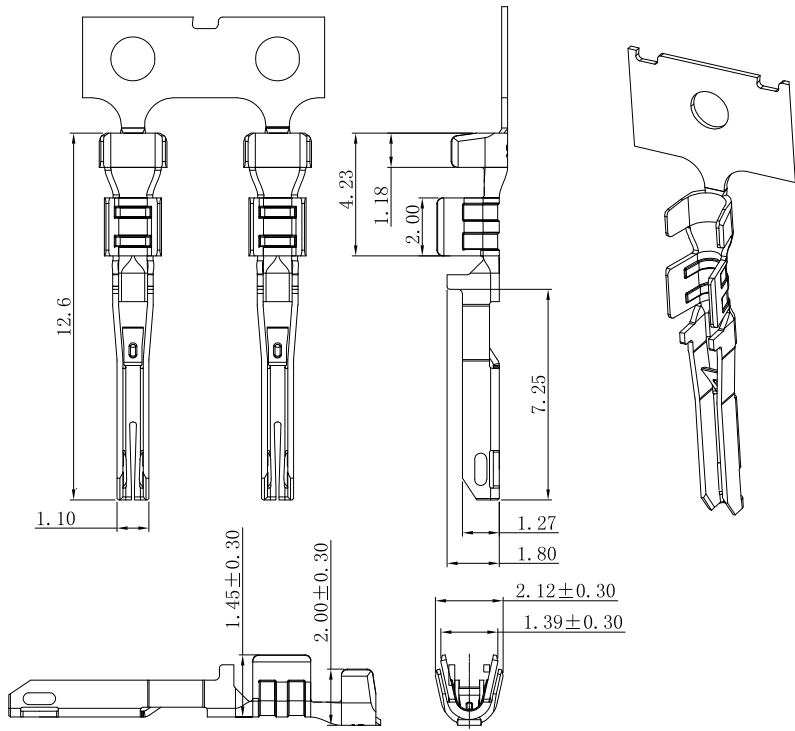
JVT2515HN0-XXXXL-X
Logo
Series NO.
Housing
PA66 UL94V-0
A-KEY A(Black)
B-KEY B(Natural)
L-Lock
BK-Black
Blank-natural color
Pin NO.



Part No.	Feature	Color
JVT2515HN0-XXBK-L-A	KEY A	Black
JVT2515HN0-XX-L-B	KEY B	Natural

PART NO	DIM. A	DIM. B
02	7.70	2.50
03	10.20	5.00
04	12.70	7.50
05	15.20	10.00
06	17.70	12.50
07	20.20	15.00
08	22.70	17.50

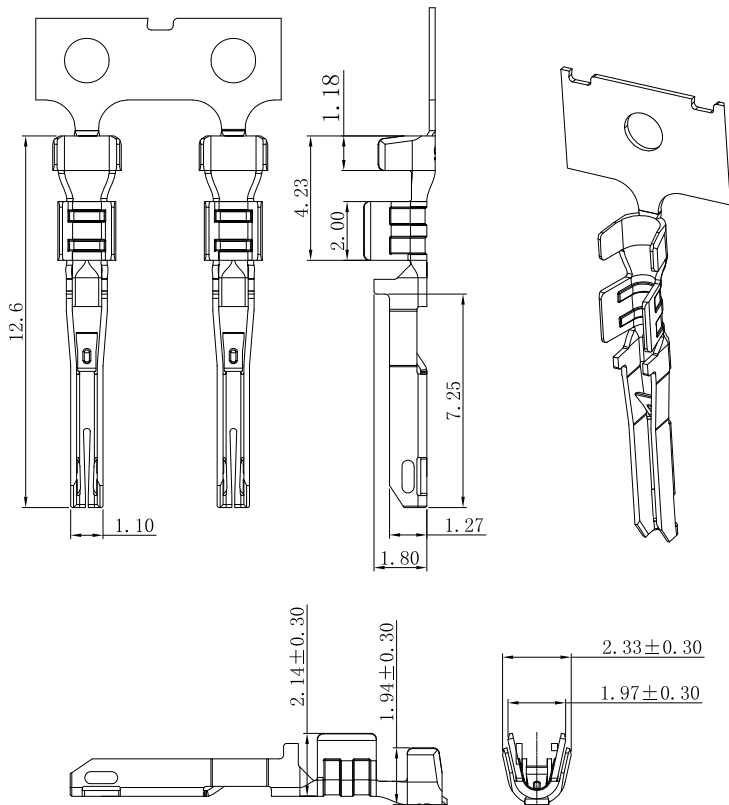
JVT2515T — 2.5mm Pitch Wafer-DIP TYPE



JVT2515TP-SNSL
 Logo —
 Series NO. —
 T-Terminal —
 P-Phosphor bronze —
 L-Low foot
 S-Stamping
 before Plating
 SN-Tin Plated

JVT2515TP-SNSL	Phos Bronze	Tin Plated	AWG#20~22	1.57mm(Max)	JVT2515 HOUSING
PART NO	Material	Finish(Pin)	Wire Range	Insulation O.D.	Mates With Part(s)

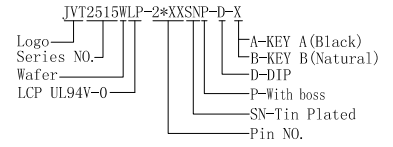
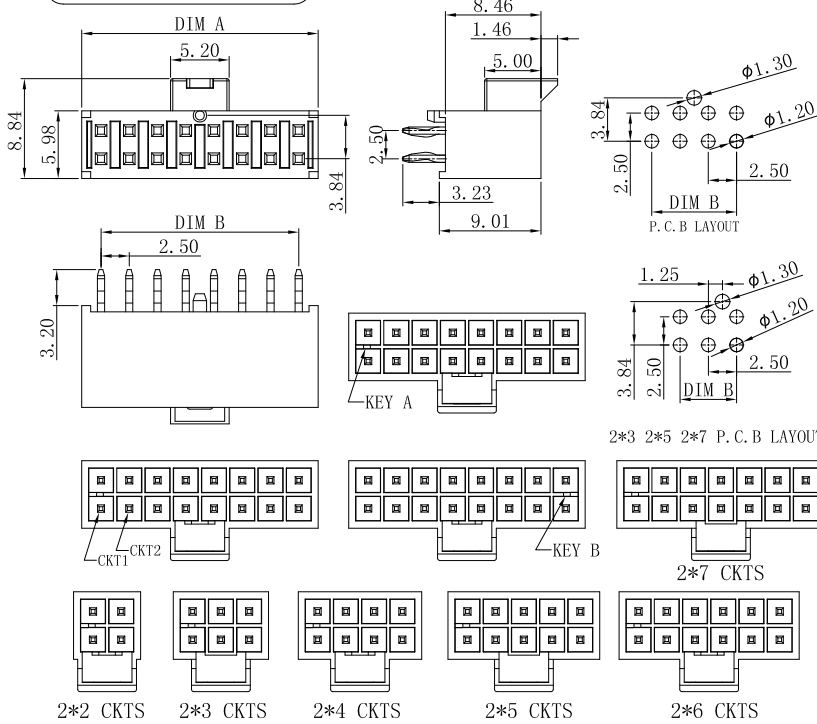
JVT2515T — 2.5mm Pitch Crimp Terminal



JVT2515TP-SNSH
 Logo —
 Series NO. —
 T-Terminal —
 P-Phosphor bronze —
 H-High foot
 S-Stamping
 before Plating
 SN-Tin Plated

JVT2515TP-SNSH	Phos Bronze	Tin Plated	AWG#20~22	1.57mm(Max)	JVT2515 HOUSING
PART NO	Material	Finish(Pin)	Wire Range	Insulation O.D.	Mates With Part(s)

JVT2515W — 2.5mm Pitch Wafer-DIP TYPE

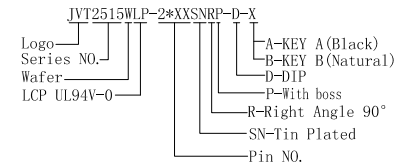
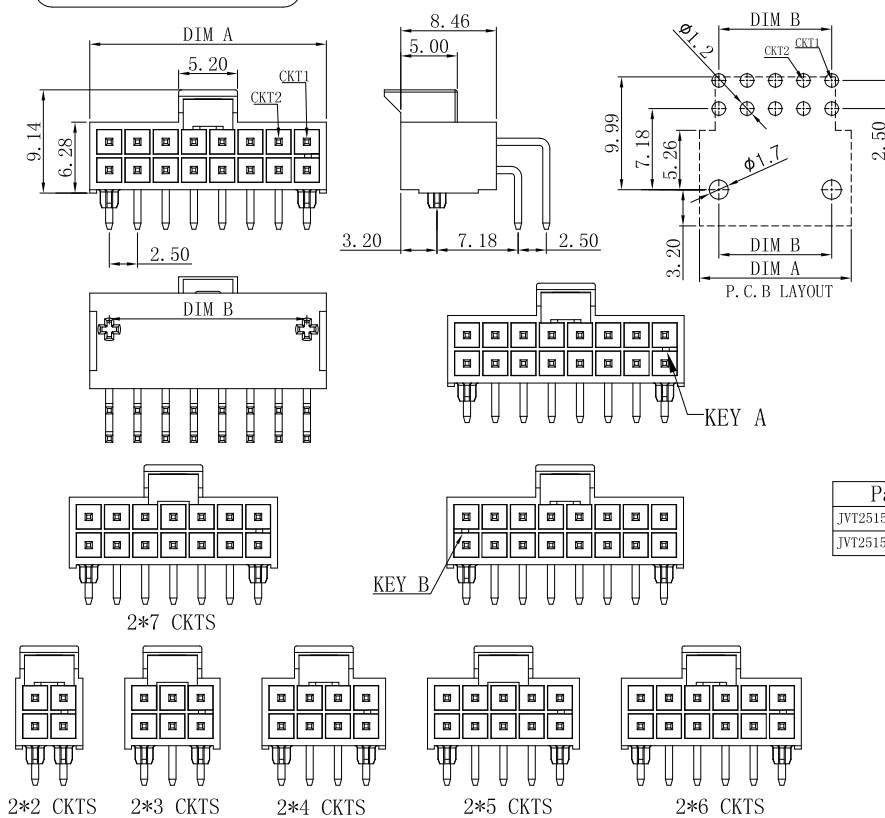


Part No.	Feature	Color
JVT2515WLP-2*XXP-D-A	With post KEY A	Black
JVT2515WLP-2*XXP-D-B	With post KEY B	Natural

Circuit 1	Dimensions	
	A	B
2*02	5.94	2.50
2*03	8.44	5.00
2*04	10.94	7.50
2*05	13.44	10.00
2*06	15.94	12.50
2*07	18.44	15.00
2*08	20.94	17.50

JVT2515WLP-2*XXSNP-D-X	LCP UL94V-0	Brass	Tin Plated	JVT2515 Housing
PART NO	Material	Material(Pin)	Finish(Pin)	Mates With Part(s)

JVT2515W — 2.5mm Pitch 90°Wafer-DIP TYPE



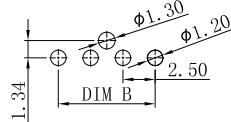
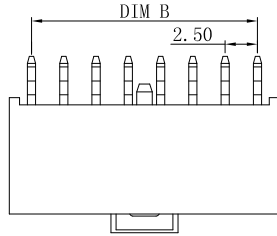
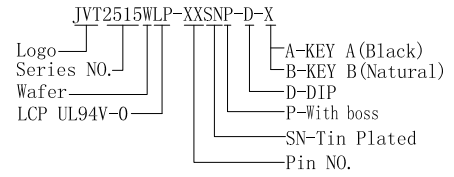
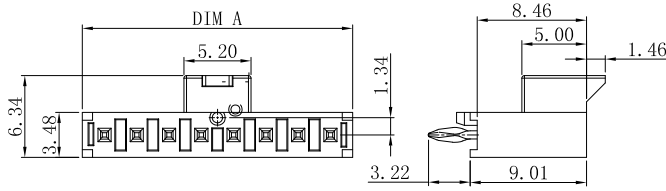
Part No.	Feature	Color
JVT2515WLP-2*XXRP-D-A	With post KEY A	Black
JVT2515WLP-2*XXRP-D-B	With post KEY B	Natural

Circuit 1	Dimensions	
	A	B
2*02	5.94	2.50
2*03	8.44	5.00
2*04	10.94	7.50
2*05	13.44	10.00
2*06	15.94	12.50
2*07	18.44	15.00
2*08	20.94	17.50

JVT2515WLP-2*XXSNRP-D-X	LCP UL94V-0	Brass	Tin Plated	JVT2515 Housing
PART NO	Material	Material(Pin)	Finish(Pin)	Mates With Part(s)

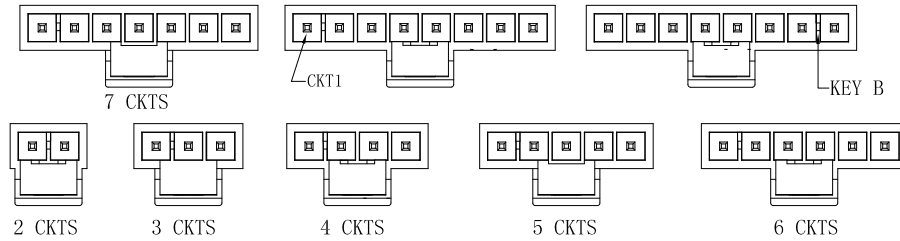
JVT2515W

2.5mm Pitch Wafer-DIP TYPE



Part No.	Feature	Color
JVT2515WLP-XXP-D-A	With post KEY A	Black
JVT2515WLP-XXP-D-B	With post KEY B	Natural

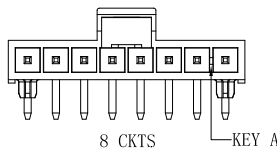
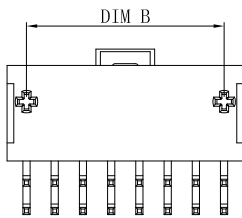
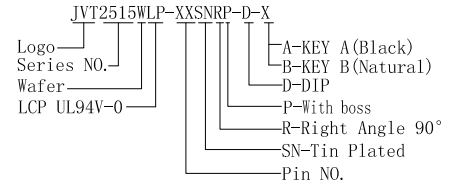
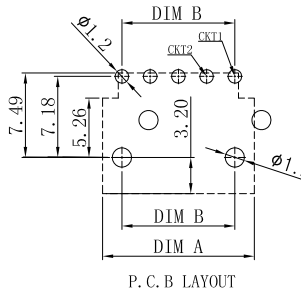
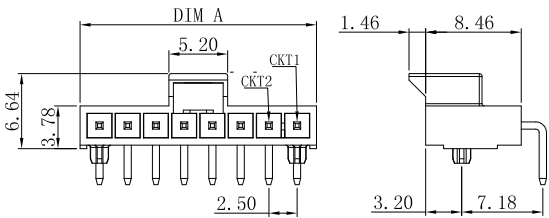
Circuit	Dimensions	
	A	B
02	5.94	2.50
03	8.44	5.00
04	10.94	7.50
05	13.44	10.00
06	15.94	12.50
07	18.44	15.00
08	20.94	17.50



JVT2515WLP-XXSNP-D-X	LCP UL94V-0	Brass	Tin Plated	JVT2515 Housing
PART NO	Material	Material(Pin)	Finish(Pin)	Mates With Part(s)

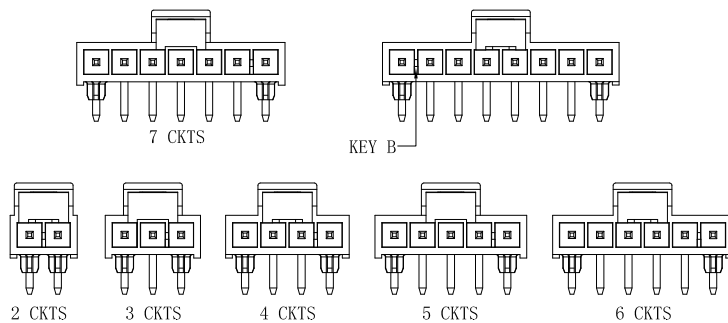
JVT2515W

2.5mm Pitch 90°Wafer-DIP TYPE



Part No.	Feature	Color
JVT2515WLP-XXRP-D-A	With post KEY A	Black
JVT2515WLP-XXRP-D-B	With post KEY B	Natural

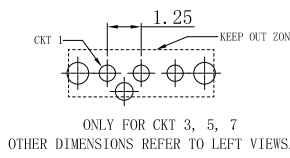
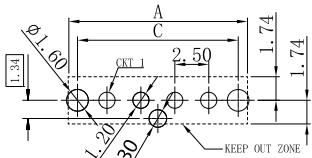
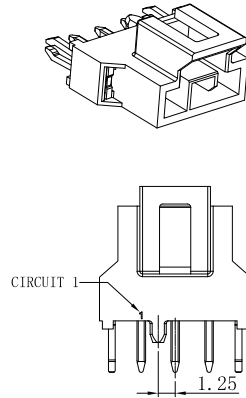
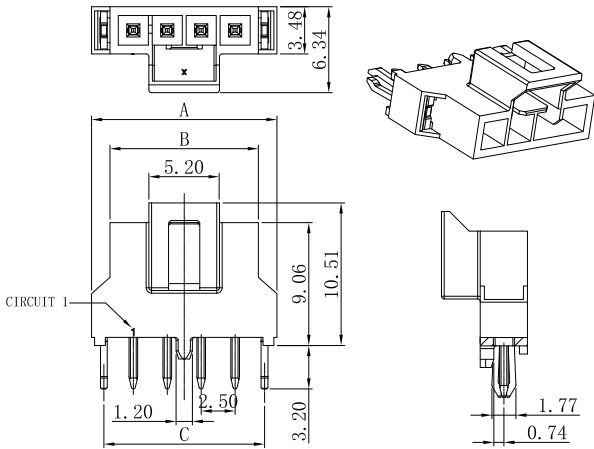
Circuit	Dimensions	
	A	B
02	5.94	2.50
03	8.44	5.00
04	10.94	7.50
05	13.44	10.00
06	15.94	12.50
07	18.44	15.00
08	20.94	17.50



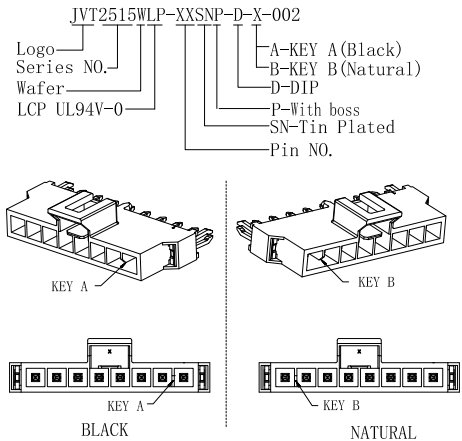
JVT2515WLP-XXSNRP-D-X	LCP UL94V-0	Brass	Tin Plated	JVT2515 Housing
PART NO	Material	Material(Pin)	Finish(Pin)	Mates With Part(s)

JVT2515W

2.5mm Pitch Wafer-DIP TYPE



ONLY FOR CKT 3, 5, 7
OTHER DIMENSIONS REFER TO LEFT VIEWS.



PART NO	A	B	C
02	8.66	5.94	6.84
03	11.16	8.44	9.34
04	13.66	10.94	11.84
05	16.16	13.44	14.34
06	18.66	15.94	16.84
07	21.16	18.44	19.34
08	23.66	20.94	21.84

	02	03	04	05
BLACK				
NATURAL				
	06	07	08	
BLACK				
NATURAL				

JVT2515WLP-XXSNP-D-X-002	LCP UL94V-0	Brass	Tin Plated	JVT2515 Housing
PART NO	Material	Material(Pin)	Finish(Pin)	Mates With Part(s)

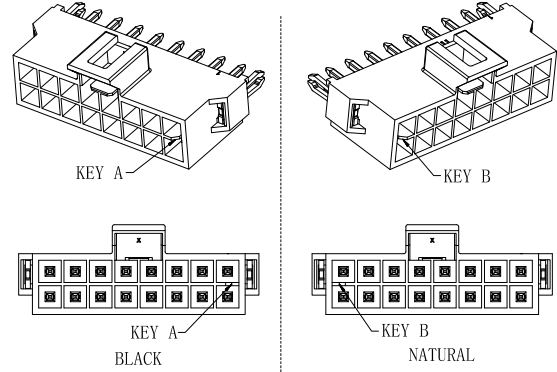
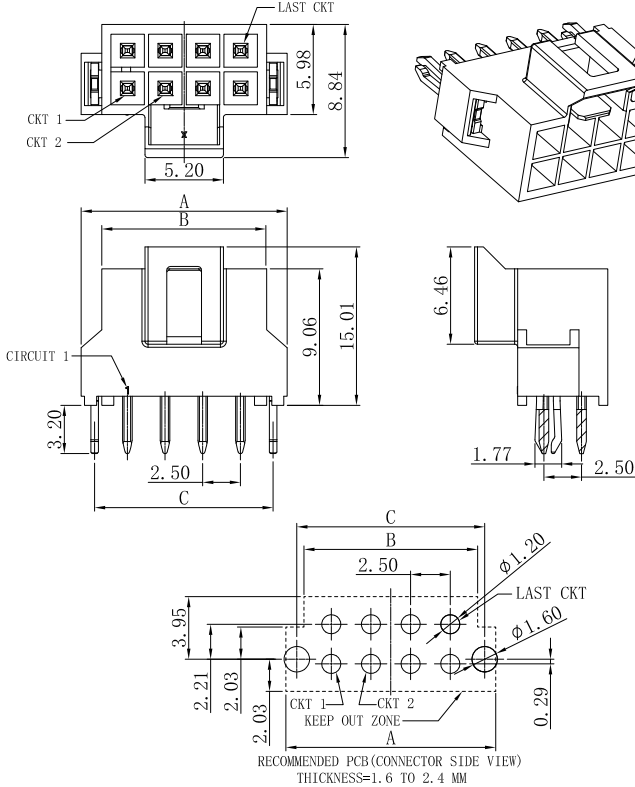
JVT2515W

2.5mm Pitch Wafer-DIP TYPE

JVT2515WLP-2*XXSNP-D-X-002

Logo
Series NO.
Wafer
LCP UL94V-0

A-KEY A (Black)
B-KEY B (Natural)
D-DIP
P-With boss
SN-Tin Plated
Pin NO.



PART NO	A	B	C
2*02	8.66	5.94	6.84
2*03	11.16	8.44	9.34
2*04	13.66	10.94	11.84
2*05	16.16	13.44	14.34
2*06	18.66	15.94	16.84
2*07	21.16	18.44	19.34
2*08	23.66	20.94	21.84

	2*02	2*03	2*04	2*05
BLACK				
NATURAL				
	2*06	2*07	2*08	
BLACK				
NATURAL				

JVT2515WLP-2*XXSNP-D-X-002	LCP UL94V-0	Brass	Tin Plated	JVT2515 Housing
PART NO	Material	Material(Pin)	Finish(Pin)	Mates With Part(s)