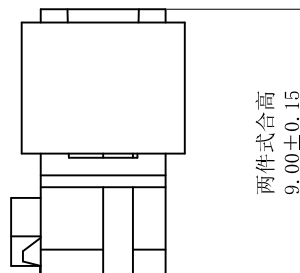


## Specifications

- Voltage rating: 100V AC, DC
- Current Rating: 1A, AC, DC
- Withstand voltage: 500V AC/minute
- Contact resistance: 20mΩ max
- Insulation resistance: 1000mΩ min
- Temperature range: -40°C ~ +105°C
- Compliant with RoHS and REACH
- Contact JVT for details

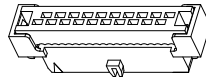
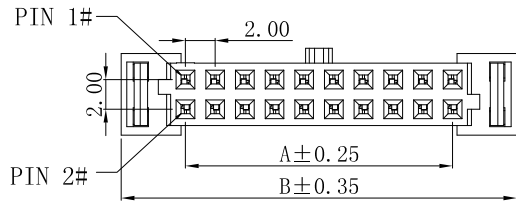
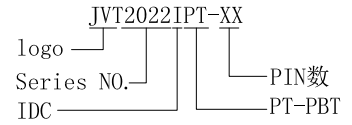
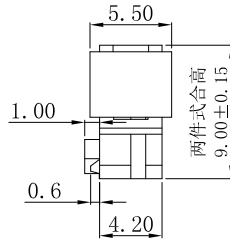
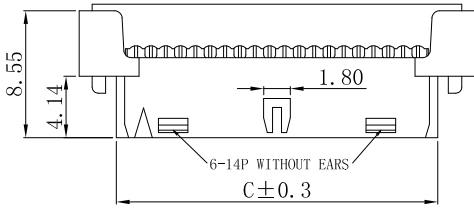
## Assembly layout



**JVT2022~2024 SERIES** 2.0mm pitch wire to board connector

**JVT2022IPT**

2.0mm Pitch IDC

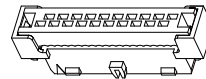
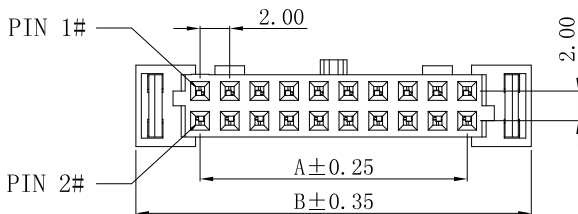
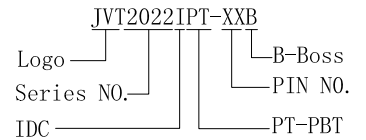
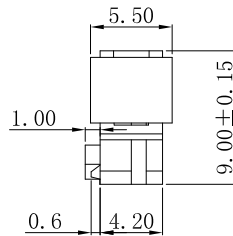
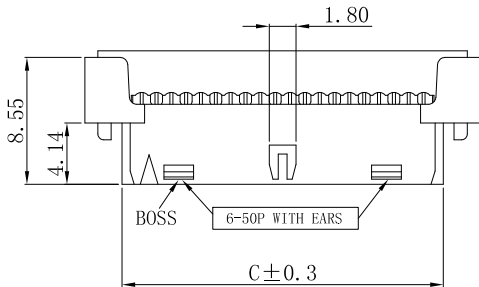


NUMBER OF POSITIONS	DIMENSION		
	A	B	C
10	8.00	16.65	11.65
12	10.00	18.65	13.65
14	12.00	20.65	15.65

JVT2022IPT-XX	Brass	Gold flash	PBT UL94V-0	JVT1300 Wafer
PART NO	Material	Finish(Pin)	Material	Mates With Part(s)

**JVT2022IPT**

2.0mm Pitch IDC With ears



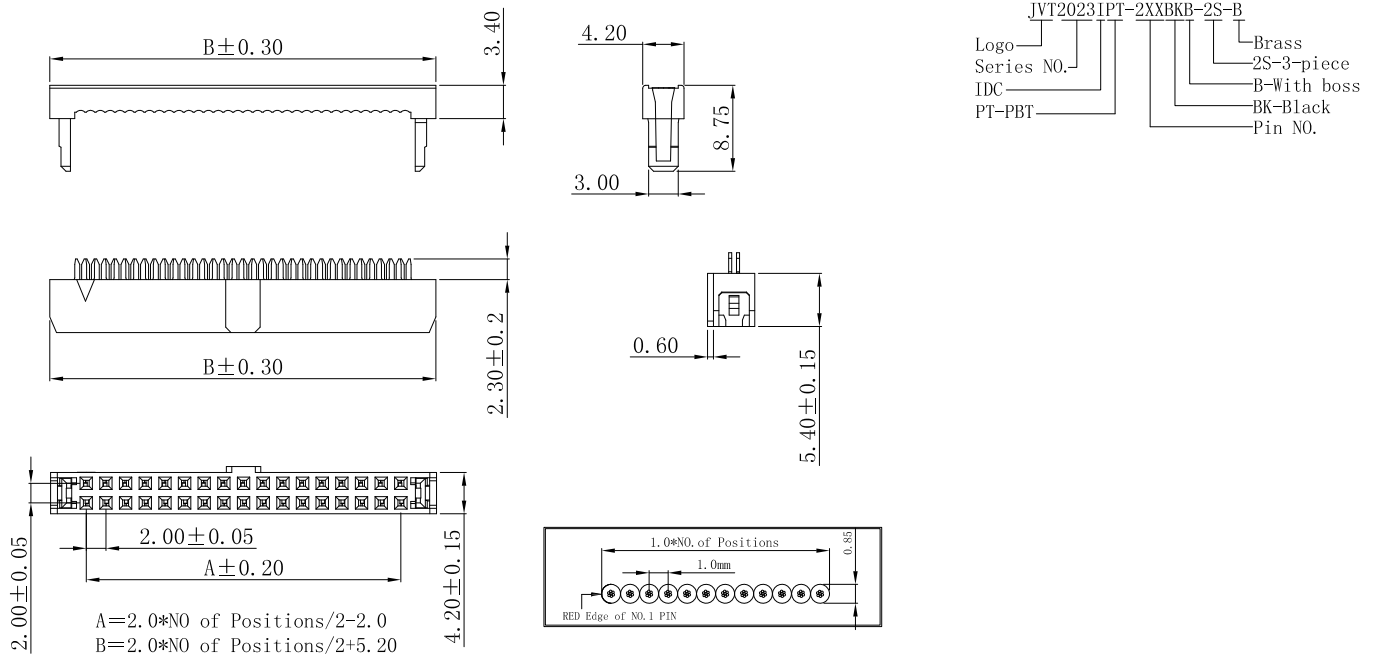
NUMBER OF POSITIONS	DIM		
	A	B	C
16	14.00	22.65	17.65
18	16.00	24.65	19.65
20	18.00	26.65	21.65
22	20.00	28.65	23.65
24	22.00	30.65	25.65
26	24.00	32.65	27.65
28	26.00	34.65	29.65
30	28.00	36.65	31.65
34	32.00	40.65	35.65
40	38.00	46.65	41.65
44	42.00	50.65	45.65
50	48.00	56.65	51.65

JVT2022IPT-XXE	Brass	Gold flash	PBT UL94V-0	JVT1300 Wafer
PART NO	Material	Finish(Pin)	Material	Mates With Part(s)

**JVT2022~2024 SERIES** 2.0mm pitch wire to board connector

JVT2023IPT

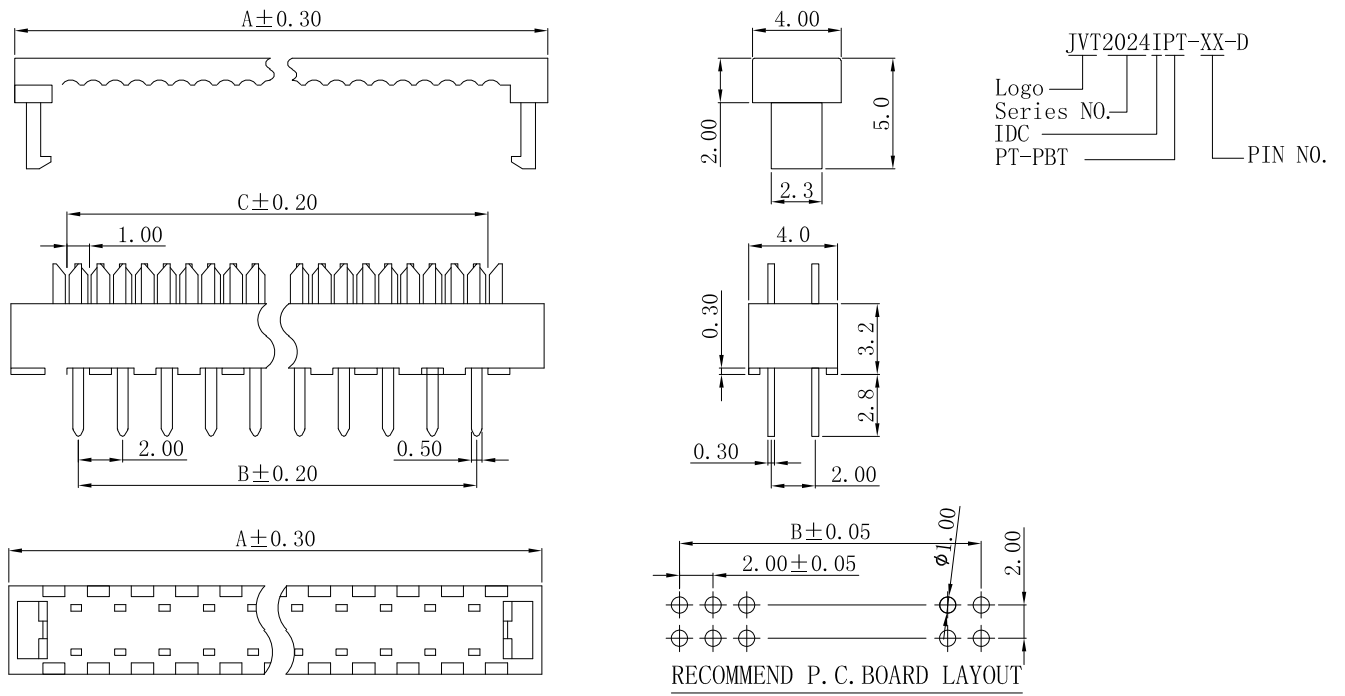
2.0mm Pitch IDC



JVT2023IPT-2XXBKB-2S-B	Brass	Gold flash	PBT UL94V-0	JVT1300 Wafer
PART NO	Material	Finish(Pin)	Material	Mates With Part(s)

JVT2024IPT

2.0mm Pitch IDC



JVT2024IPT-XX-D	Brass	Gold flash	PBT UL94V-0	JVT1300 Wafer
PART NO	Material	Finish(Pin)	Material	Mates With Part(s)