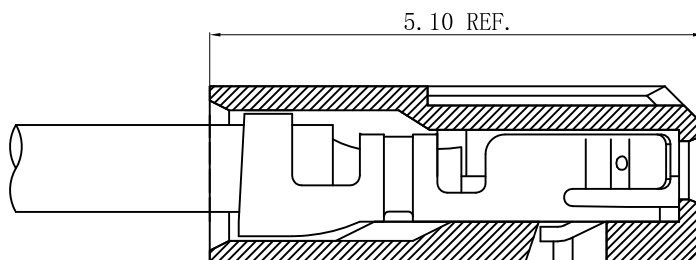


## Specifications

- Voltage rating: 100V AC, DC
- Current Rating: 1A, AC, DC
- Withstand voltage: 800V AC/minute
- Contact resistance: 20m $\Omega$  max
- Insulation resistance: 1000m $\Omega$  min
- Temperature range: -40 $^{\circ}$ C ~ +105 $^{\circ}$ C
- Compliant with RoHS and REACH
- Contact JVT for details

## Assembly layout



**JVT2010 SERIES**

2.0mm pitch wire to board connector

**JVT2010H**

2.0mm Pitch housing

HOUSING

Part No. : JVT2010HN0-XX

Material: Nylon 66 UL94V-0

Mates With Part(s): JVT2010 Terminal

JVT2010HN0-XX

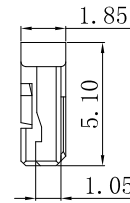
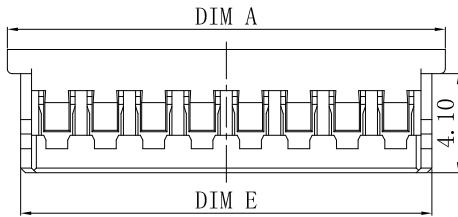
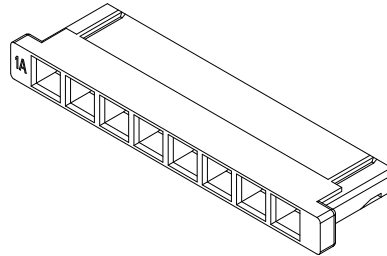
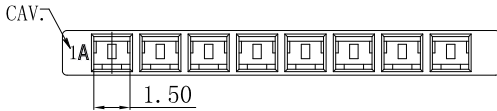
Logo

Series NO.

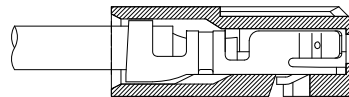
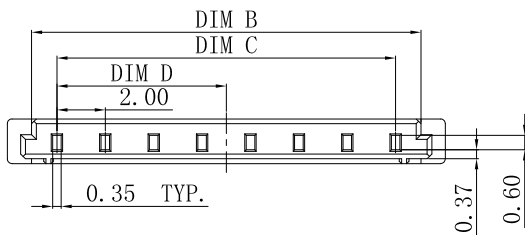
Housing

Pin NO.

PA66 UL94V-0



CKT	DIM A	DIM B	DIM C	DIM D	DIM E
05	12.1	10.1	8.00	4.00	11.00
06	14.1	12.1	10.00	5.00	13.00
07	16.1	14.1	12.00	6.00	15.00
08	18.1	16.1	14.00	7.00	17.00
09	20.1	18.1	16.00	8.00	19.00
10	22.1	20.1	18.00	9.00	21.00



ASSEMBLY DRAWING  
(SCALE 2:1)

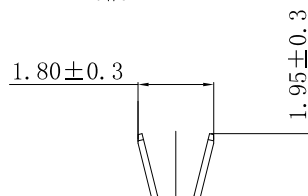
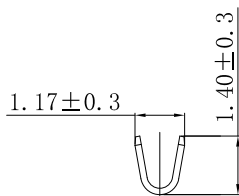
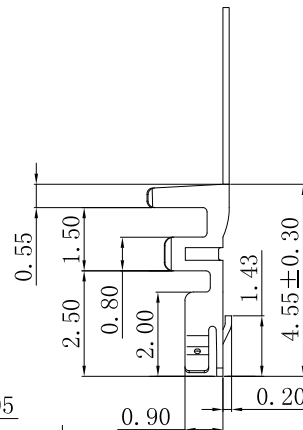
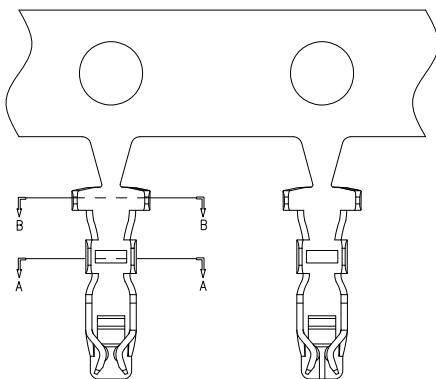
**JVT2010T**

2.0mm Pitch Crimp Terminal

JVT2010TP-XXX

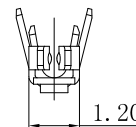
Logo  
Series NO.  
T-Terminal  
P-Phosphor  
bronze

S-Stamping  
before Plating  
E-Plating  
before stamping  
SN-Tin Plated  
GA-All gold  
plating



SECTION A-A

SECTION B-B



JVT2010TP-GAX	Phos Bronze	Half Gold	AWG#28~32	0.6mm(Max)	JVT2010 HOUSING
JVT2010TP-SNX		Tin Plated			
PART NO	Material	Finish(Pin)	Wire Range	Insulation O.D.	Mates With Part(s)