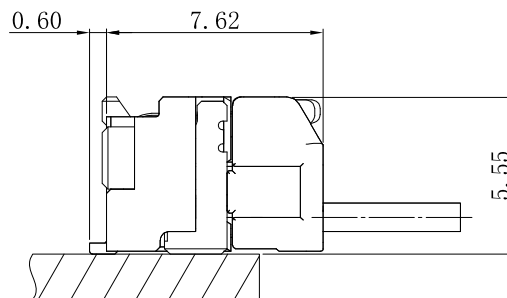
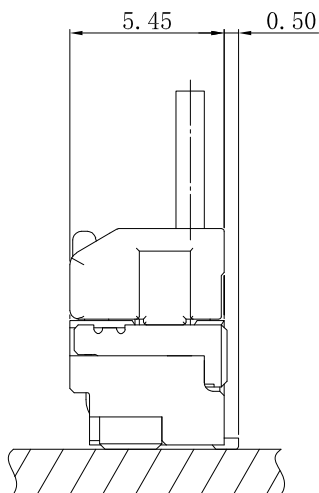


Specifications

- Voltage rating: 50V AC, DC
- Current Rating: 1A, AC, DC
- Withstand voltage: 500V AC/minute
- Contact resistance: 20mΩ max
- Insulation resistance: 100MΩ min
- Temperature range: -40°C ~ +105°C
- Compliant with RoHS and REACH
- Contact JVT for details

Assembly layout



JVT1251 SERIES

1.25mm pitch wire to board connector

JVT1251H

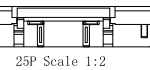
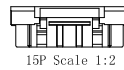
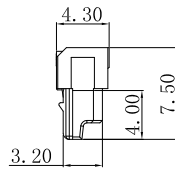
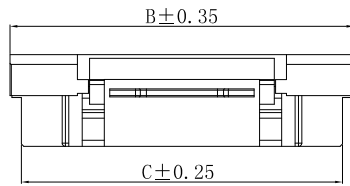
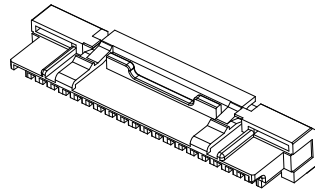
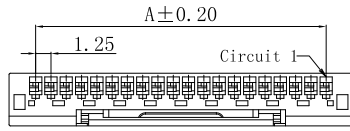
1.25mm Pitch housing

HOUSING

Part No. : JVT1251HXX-XXL

Material: PA66/LCP UL94V-0

Mates With Part(s): JVT1251 Terminal



JVT1251HXX-XXL
Logo
Series NO.
Housing
L-Lock
Pin NO.
N0-PA66 UL94V-0
LP-LCP UL94V-0

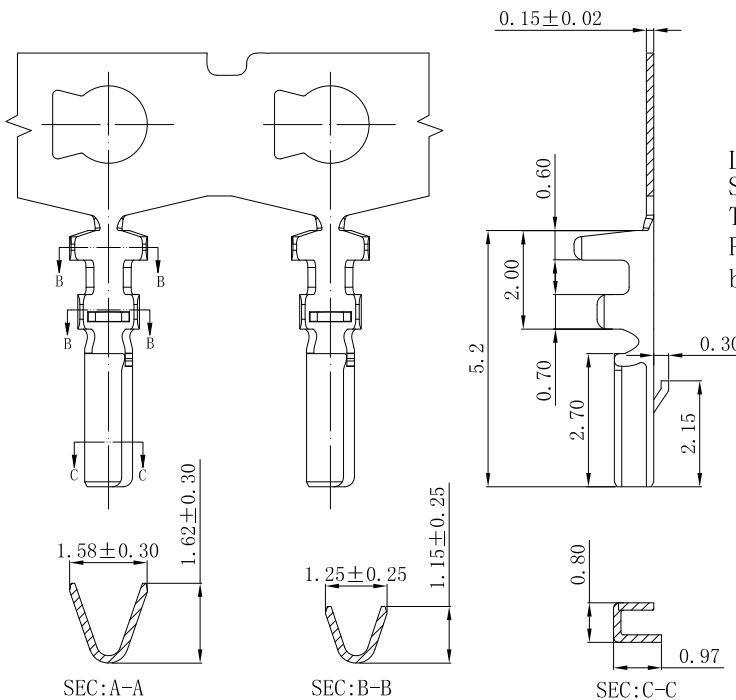
Poles	Dimensions (mm)		
	A	B	C
05	5.00	9.35	7.50
10	11.25	15.60	13.75
15	17.50	21.85	20.00
20	23.75	28.10	26.25
25	30.00	34.35	32.50

Unit:mm

JVT1251HN0-XXL	PA66 UL94V-0	JVT1251TP-XXS
JVT1251HLP-XXL	LCP UL94V-0	JVT1251TP-XXS
PART NO	Material	Mates With Part(s)

JVT1251T

1.25mm Pitch Crimp Terminal



JVT1251TP-XXS
Logo
Series NO.
Terminal
P-Phosphor
bronze
S-Stamping
before Plating
SN-Tin Plated
GA1-Gold plated1U"
GA2-Gold plated2U"
GA3-Gold plated3U"

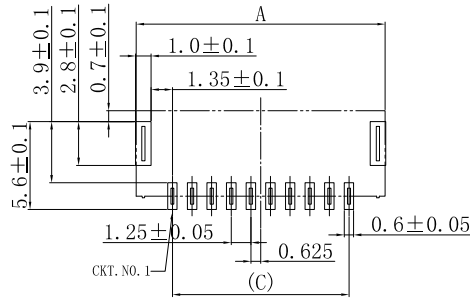
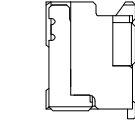
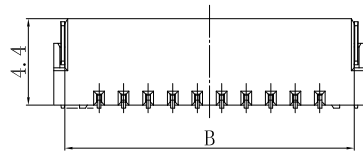
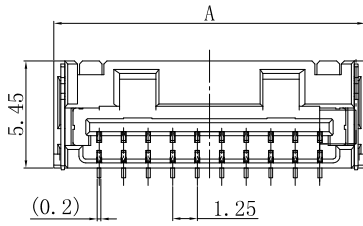
JVT1251TP-GAS	Phos Bronze	Gold Plated	AWG#26~28	1.0mm(Max)	JVT1251 HOUSING
JVT1251TP-SNS		Tin Plated			
PART NO	Material	Finish(Pin)	Wire Range	Insulation O.D.	Mates With Part(s)

JVT1251 SERIES

1.25mm pitch wire to board connector

JVT1251W

1.25mm Pitch Wafer-SMT TYPE



RECOMMENDED P. C. B. PATTERN LAYOUT (REF.)

JVT1251W9T-XXSNL-S
 Logo
 Series NO.
 Wafer
 PA9T
 SMT
 Lock
 Tin Plated
 Pin NO.

Poles	Dimensions (mm)		
	A	B	C
08	13.35	12.25	8.75
09	14.60	13.50	10.00
10	15.85	14.75	11.25
11	17.10	16.00	12.50
12	18.35	17.25	13.75
13	19.60	18.50	15.00
14	20.85	19.75	16.25
15	22.10	21.00	17.50

Unit:mm

JVT1251W9T-XXSNL-S	PA9T UL94V-0	Phos Bronze	Tin Plated	Phos Bronze	Tin Plated	JVT1251 Housing
JVT1251W9T-XXSNL-S						
PART NO	Material	Material(Pin)	Finish(Pin)	Material (Solder Tabs)	Finish (Solder Tabs)	Mates With Part(s)