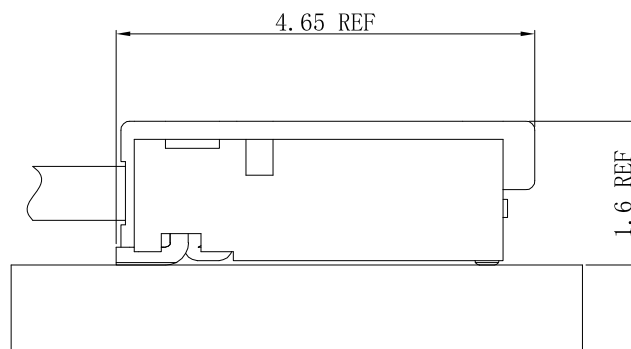


Specifications

- Voltage rating: 50V AC, DC
- Current Rating: 2A, AC, DC
- Withstand voltage: 500V AC/minute
- Contact resistance: 20mΩ max
- Insulation resistance: 100mΩ min
- Temperature range: -40°C ~ +105°C
- Compliant with RoHS and REACH
- Contact JVT for details

Assembly layout



JVT1202 SERIES

1.2mm pitch wire to board connector

JVT1202H

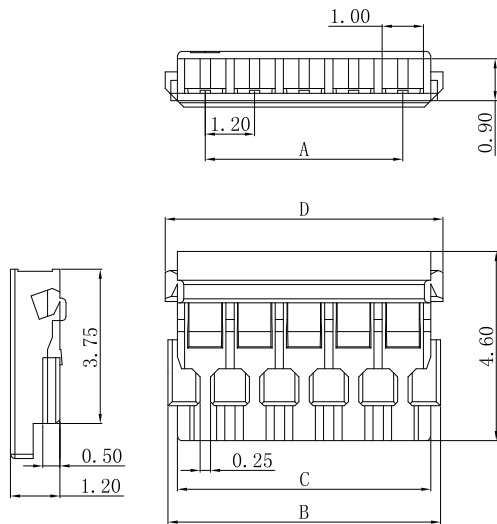
1.2mm Pitch housing

HOUSING

Part No. : JVT1202HXX-XX

Material: PA66/PBT UL94V-0

Mates With Part(s) : JVT1202 Terminal



JVT1202HXX-XX
 Logo ———
 Series NO. ———
 Housing ———
 Pin NO. ———
 NO-PA66 UL94V-0
 PT-PBT UL94V-0

Poles	Dimensions (mm)			
	A	B	C	D
2	1.20	2.98	2.55	3.15
3	2.40	4.18	3.75	4.35
4	3.60	5.38	4.95	5.55
5	4.80	6.58	6.15	6.75
6	6.00	7.78	7.35	7.95

Unit:mm

JVT1202HNO-XX	PA66 UL94V-0	JVT1202TP-XXS
JVT1202HPT-XX	PBT UL94V-0	
PART NO	Material	Mates With Part(s)

JVT1202H

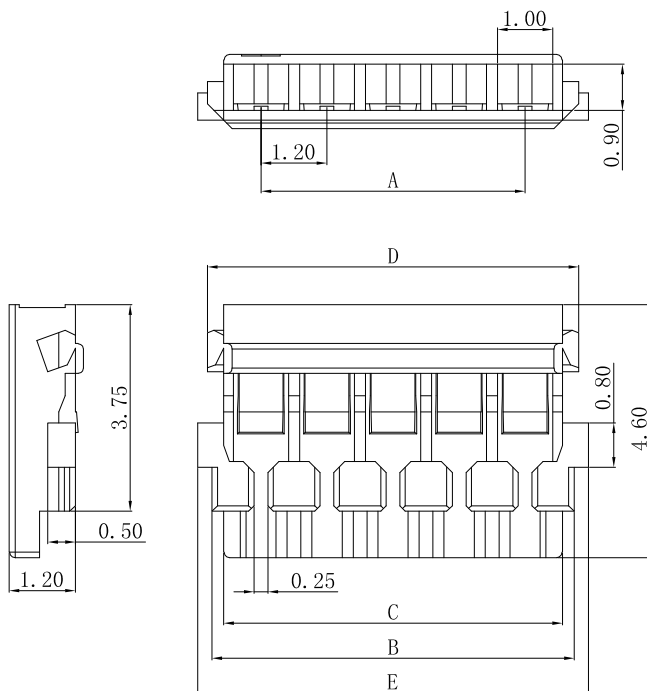
1.2mm Pitch housing

HOUSING

Part No. : JVT1202HPT-XX-A

Material: PBT UL94V-0

Mates With Part(s) : JVT1202 Terminal



JVT1202HPT-XX-A
 Logo ———
 Series NO. ———
 Housing ———
 Pin NO. ———
 PA66 UL94V-0

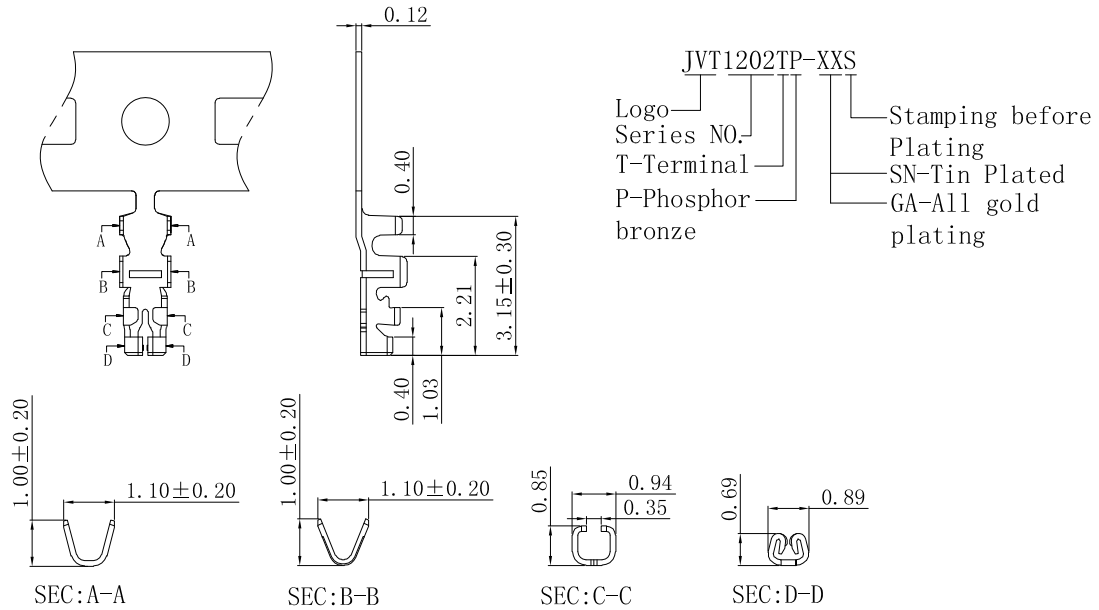
Poles	Dimensions (mm)				
	A	B	C	D	E
2	1.20	2.98	2.55	3.15	3.50
3	2.40	4.18	3.75	4.35	4.70
4	3.60	5.38	4.95	5.55	5.90
5	4.80	6.58	6.15	6.75	7.10
6	6.00	7.78	7.35	7.95	8.30

Unit:mm

JVT1202 SERIES

1.2mm pitch wire to board connector

JVT1202T — 1.2mm Pitch Crimp Terminal



JVT1202TP-GAS	Phos Bronze	Gold Plated	AWG#28~32	0.63mm(Max)	JVT1202 HOUSING
JVT1202TP-SNS		Tin Plated			
PART NO	Material	Finish(Pin)	Wire Range	Insulation O.D.	Mates With Part(s)