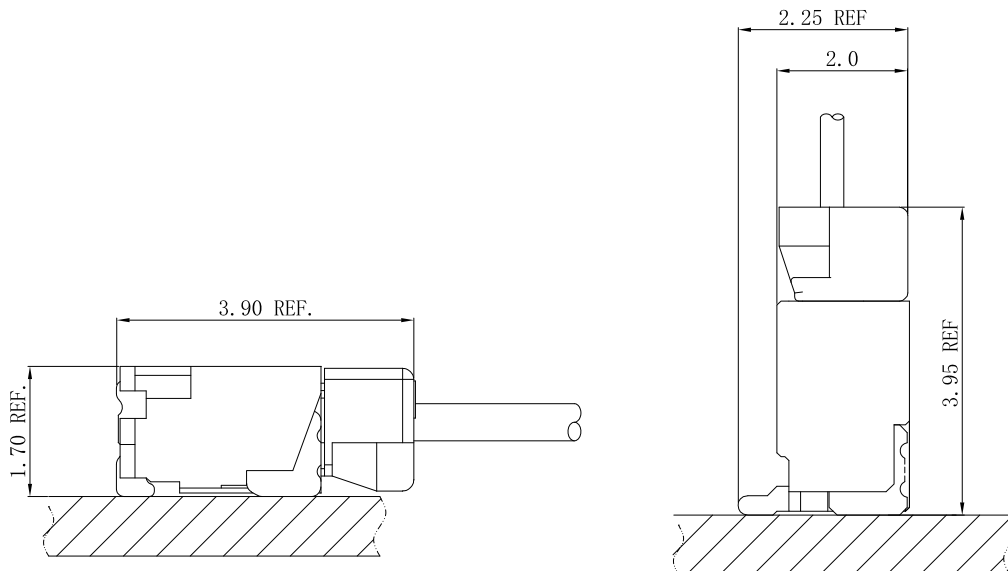


Specifications

- Voltage rating: 30V AC, DC
- Current Rating: 0.5A, AC, DC
- Withstand voltage: 200V AC/minute
- Contact resistance: 40mΩ max
- Insulation resistance: 100mΩ min
- Temperature range: -40°C ~ +105°C
- Compliant with RoHS and REACH
- Contact JVT for details

Assembly layout

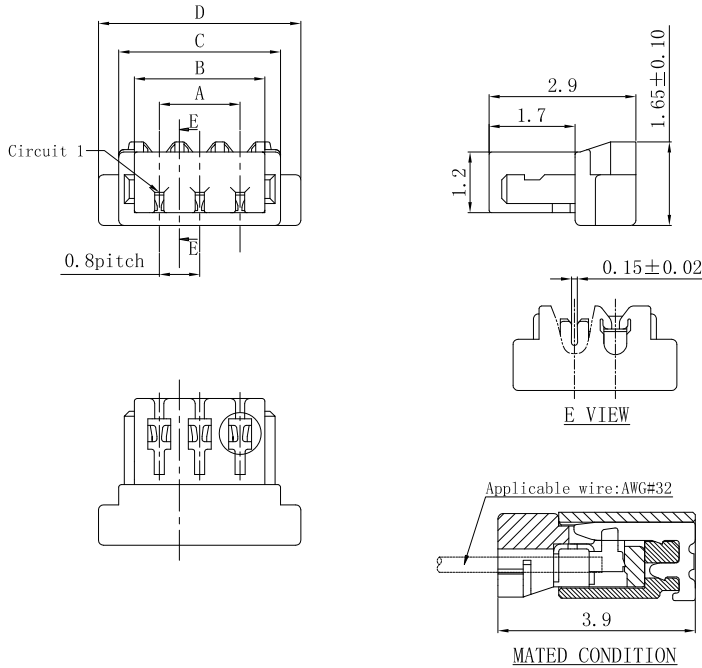


JVT0800H

0.8mm Pitch IDC

HOUSING

Part No. : JVT0800HNO-XXXXE
Material: Nylon 66 UL94V-0
Mates With Part(s): JVT0801 Wafer



JVT0800HNO-XXE
Logo
Series NO.
Housing
N0-PA66 UL94V-0
E-With Ear
Pin NO.

Poles	Dimensions				Poles	Dimensions			
	A	B	C	D		A	B	C	D
02	0.80	1.78	2.40	3.20	14	10.40	11.38	12.00	12.80
03	1.60	2.58	3.20	4.00	15	11.20	12.18	12.80	13.60
04	2.40	3.38	4.00	4.80	16	12.00	12.98	13.60	14.40
05	3.20	4.18	4.80	5.60	17	12.80	13.78	14.40	15.20
06	4.00	4.98	5.60	6.40	18	13.60	14.58	15.20	16.00
07	4.80	5.78	6.40	7.20	19	14.40	15.38	16.00	16.80
08	5.60	6.58	7.20	8.00	20	15.20	16.18	16.80	17.60
09	6.40	7.38	8.00	8.80	21	16.00	16.98	17.60	18.40
10	7.20	8.18	8.80	9.60	22	16.80	17.78	18.40	19.20
11	8.00	8.98	9.60	10.40	23	17.60	18.58	19.20	20.00
12	8.80	9.78	10.40	11.20	24	18.40	19.38	20.00	20.80
13	9.60	10.58	11.20	12.00					

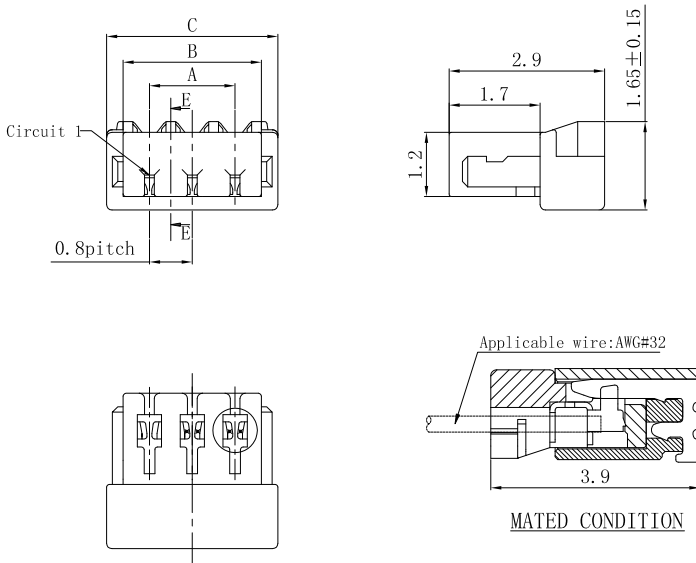
Unit:mm

JVT0800H

0.8mm Pitch IDC

HOUSING

Part No. : JVT0800HNO-XXXX
Material: Nylon 66 UL94V-0
Mates With Part(s): JVT0801 Wafer



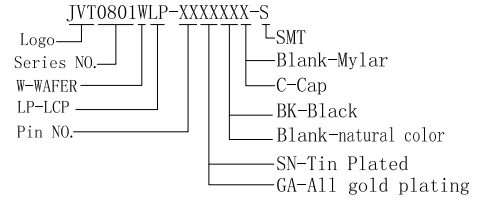
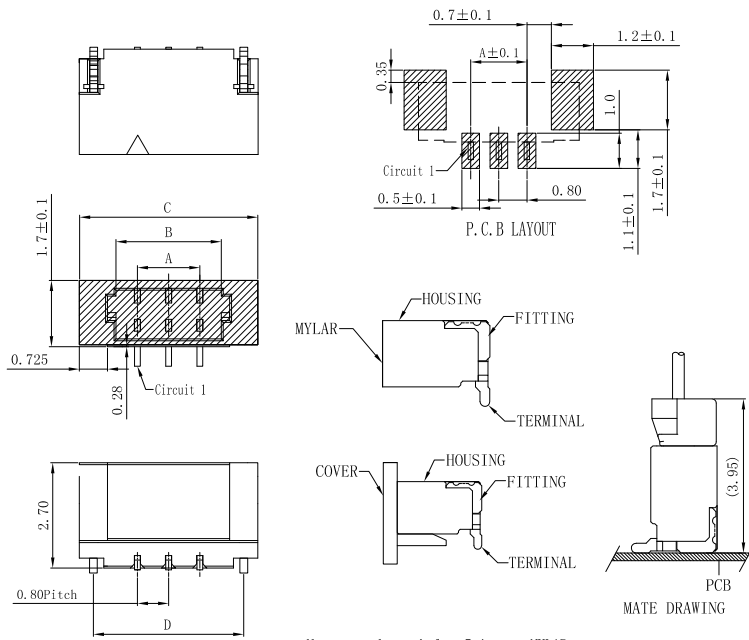
JVT0800HNO-XXXX
Logo
Series NO.
Housing
N0-PA66 UL94V-0
BK-Black
Blank-Natural
Pin NO.

Poles	Dimensions			Poles	Dimensions		
	A	B	C		A	B	C
02	0.80	1.78	2.40	14	10.40	11.38	12.00
03	1.60	2.58	3.20	15	11.20	12.18	12.80
04	2.40	3.38	4.00	16	12.00	12.98	13.60
05	3.20	4.18	4.80	17	12.80	13.78	14.40
06	4.00	4.98	5.60	18	13.60	14.58	15.20
07	4.80	5.78	6.40	19	14.40	15.38	16.00
08	5.60	6.58	7.20	20	15.20	16.18	16.80
09	6.40	7.38	8.00	21	16.00	16.98	17.60
10	7.20	8.18	8.80	22	16.80	17.78	18.40
11	8.00	8.98	9.60	23	17.60	18.58	19.20
12	8.80	9.78	10.40	24	18.40	19.38	20.00
13	9.60	10.58	11.20				

Unit:mm

JVT0801W

0.8mm Pitch Wafer-SMT TYPE



Poles	Dimensions				Poles	Dimensions			
	A	B	C	D		A	B	C	D
02	0.80	1.90	3.78	3.04	12	8.80	9.90	11.78	11.04
03	1.60	2.70	4.58	3.84	13	9.60	10.70	12.58	11.84
04	2.40	3.50	5.38	4.64	14	10.40	11.50	13.38	12.64
05	3.20	4.30	6.18	5.44	15	11.20	12.30	14.18	13.44
06	4.00	5.10	6.98	6.24	16	12.00	13.10	14.98	14.24
07	4.80	5.90	7.78	7.04	17	12.80	13.90	15.78	15.04
08	5.60	6.70	8.58	7.84	18	13.60	14.70	16.58	15.84
09	6.40	7.50	9.38	8.64	19	14.40	15.50	17.38	16.64
10	7.20	8.30	10.18	9.44	20	15.20	16.30	18.18	17.44
11	8.00	9.10	10.98	10.24					

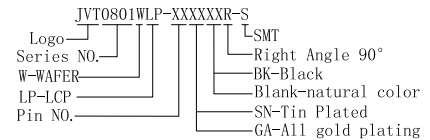
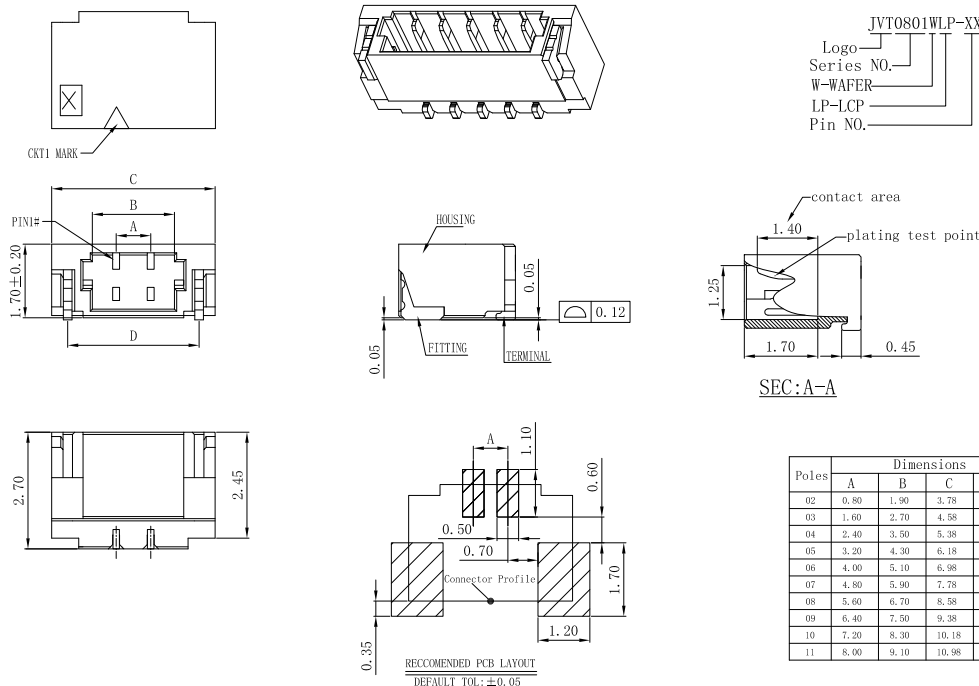
Unit:mm

Note: products below 5pin use MYLAR.
For products with 5pins and above, use the cover or MYLAR according to the part number code.

JVT0801WLP-XXGA-S	LCP	Phos Bronze	Gold plating	Brass	JVT0800 Housing
JVT0801WLP-XXSN-S			Tin plating		
PART NO	Material	Material(Pin)	Finish(Pin)	Material (Solder Tabs)	Mates With Part(s)

JVT0801W

0.8mm Pitch 90° Wafer-SMT TYPE



Poles	Dimensions				Poles	Dimensions			
	A	B	C	D		A	B	C	D
02	0.80	1.90	3.78	3.04	12	8.80	9.90	11.78	11.04
03	1.60	2.70	4.58	3.84	13	9.60	10.70	12.58	11.84
04	2.40	3.50	5.38	4.64	14	10.40	11.50	13.38	12.64
05	3.20	4.30	6.18	5.44	15	11.20	12.30	14.18	13.44
06	4.00	5.10	6.98	6.24	16	12.00	13.10	14.98	14.24
07	4.80	5.90	7.78	7.04	17	12.80	13.90	15.78	15.04
08	5.60	6.70	8.58	7.84	18	13.60	14.70	16.58	15.84
09	6.40	7.50	9.38	8.64	19	14.40	15.50	17.38	16.64
10	7.20	8.30	10.18	9.44	20	15.20	16.30	18.18	17.44
11	8.00	9.10	10.98	10.24					

Unit:mm

JVT0801WLP-XXGAR-S	LCP	Phos Bronze	Gold plated	Brass	JVT0800 Housing
JVT0801WLP-XXSNR-S	LCP	Phos Bronze	Tin Plated	Brass	JVT0800 Housing
PART NO	Material	Material(Pin)	Finish(Pin)	Material (Solder Tabs)	Mates With Part(s)