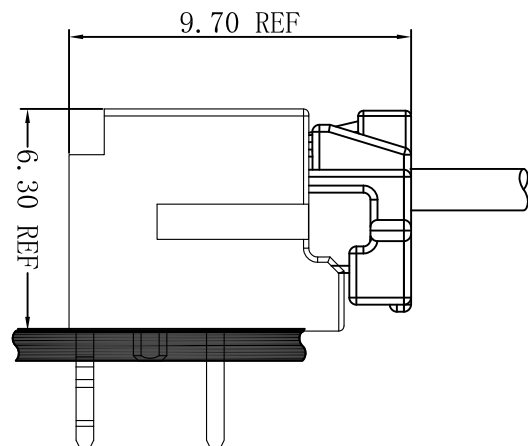
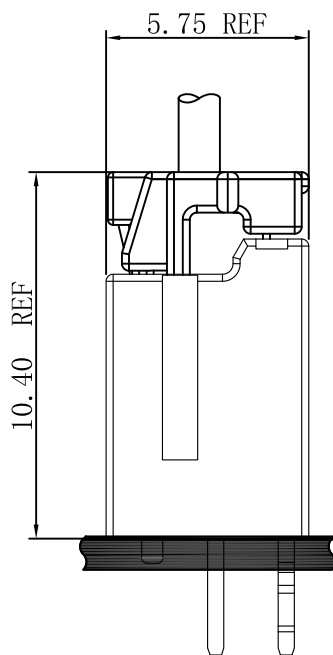


Specifications

- Voltage rating: 100V AC, DC
- Current Rating: 2A, AC, DC
- Withstand voltage: 500V AC/minute
- Contact resistance: 40mΩ max
- Insulation resistance: 500MΩ min
- Temperature range: -40°C ~ +105°C
- Compliant with RoHS and REACH
- Contact JVT for details

Assembly layout



JVT1504 SERIES

1.5mm pitch wire to board connector

JVT1504H

1.5mm Pitch housing

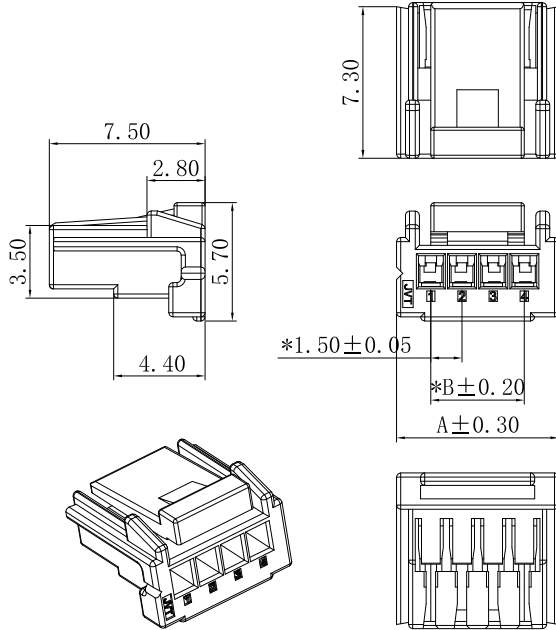
HOUSING

Part No. : JVT1504HXX-XX

Material: PA66/PBT UL94V-0

Mates With Part(s): JVT1504 Terminal

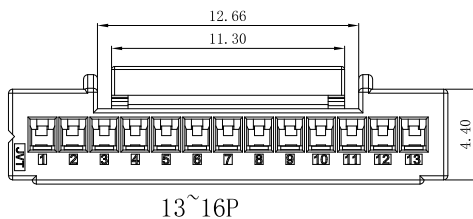
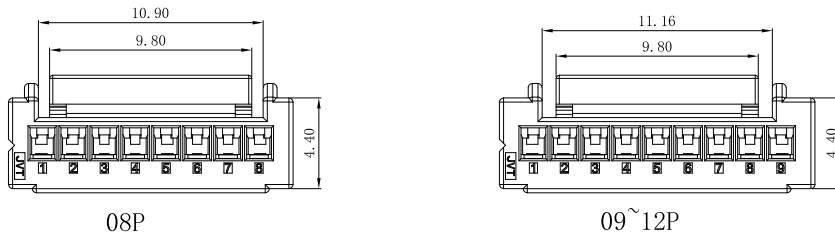
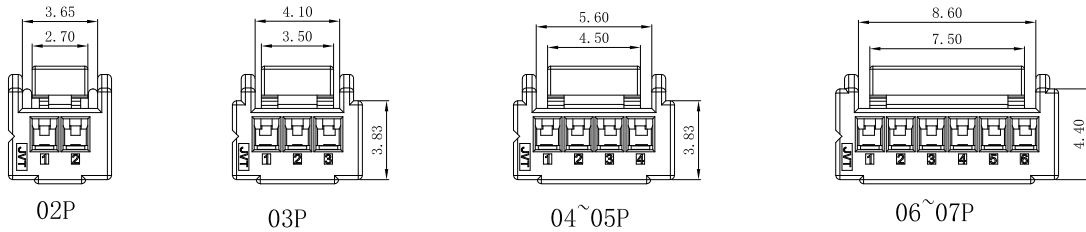
JVT1504HXX-XX
Logo —
Series NO. —
Housing —
Pin NO. —
NO-PA66 UL94V-0
PT-PBT UL94V-0



Poles	Dimensions (mm)	
	A	B
02	5.00	1.50
03	6.30	3.00
04	7.80	4.50
05	9.30	6.00
06	10.80	7.50
07	12.30	9.00
08	13.80	10.50
09	15.30	12.00
10	16.80	13.50
11	18.30	15.00
12	19.80	16.50
13	21.30	18.00
14	22.80	19.50
15	24.30	21.00
16	25.80	22.50

Unit:mm

JVT1504HN0-XX	PA66 UL94V-0	JVT1504TP-XXSH
JVT1504HPT-XX	PBT UL94V-0	JVT1504TP-XXSH
PART NO	Material	Mates With Part(s)



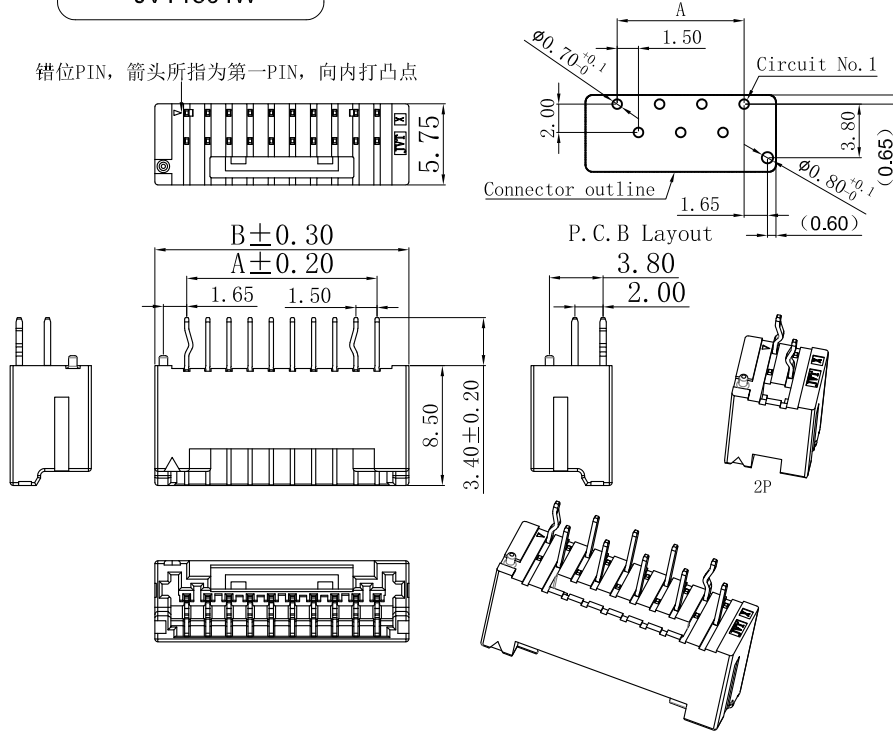
JVT1504 SERIES

1.5mm pitch wafer-DIP connector

JVT1504W

1.5mm Pitch Wafer-DIP TYPE

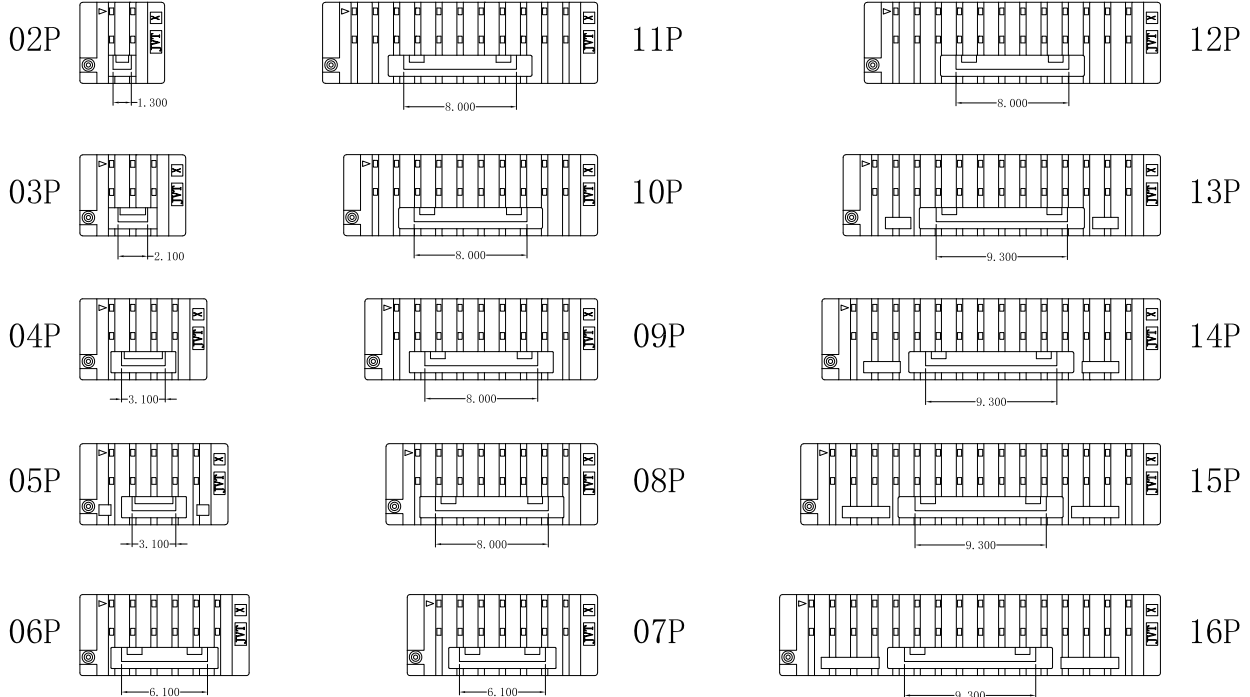
错位PIN, 箭头所指为第一PIN, 向内打凸点



JVT1504WN0-XXSNPK-D
 Logo
 Series NO.
 WAFER-PA66 UL94V-0
 D-DIP
 K-With Kink
 P-With boss
 SN-Tin Plated
 Pin NO.

CKL	DimA	DimB
02	1.5	6.00
03	3.0	7.50
04	4.5	9.00
05	6.0	10.50
06	7.5	12.00
07	9.0	13.50
08	10.5	15.00
09	12.0	16.50
10	13.5	18.00
11	15.0	19.50
12	16.5	21.00
13	18.0	22.50
14	19.5	24.00
15	21.0	25.50
16	22.5	27.00

JVT1504WN0-XXSNPK-D	PA66 UL94V-0	Phos Bronze	Tin plated	Brass	Tin plated	JVT1504 Housing
PART NO	Material	Material(Pin)	Finish(Pin)	Material (Solder Tabs)	Finish (Solder Tabs)	Mates With Part(s)



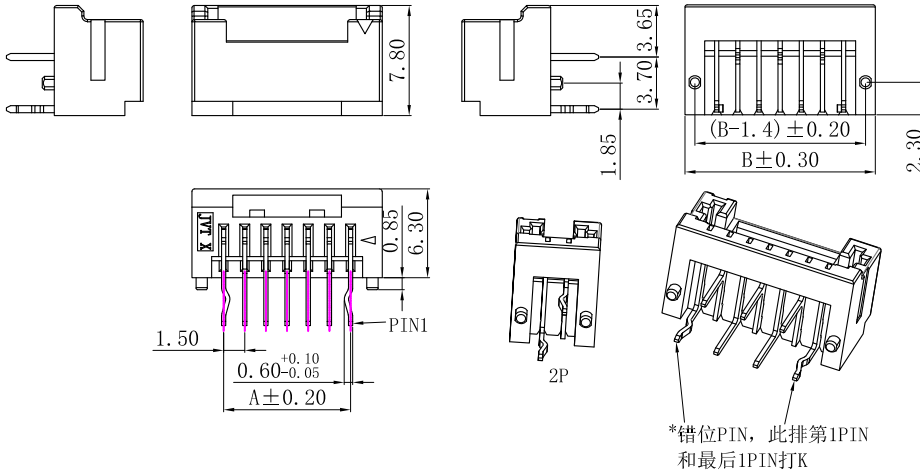
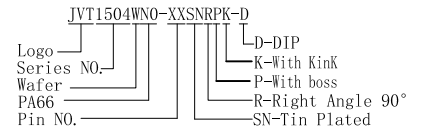
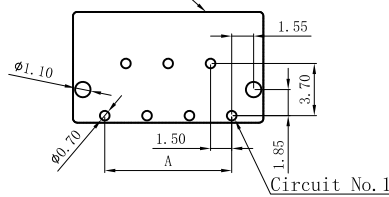
JVT1504 SERIES

1.5mm pitch wafer to board connector

JVT1504W

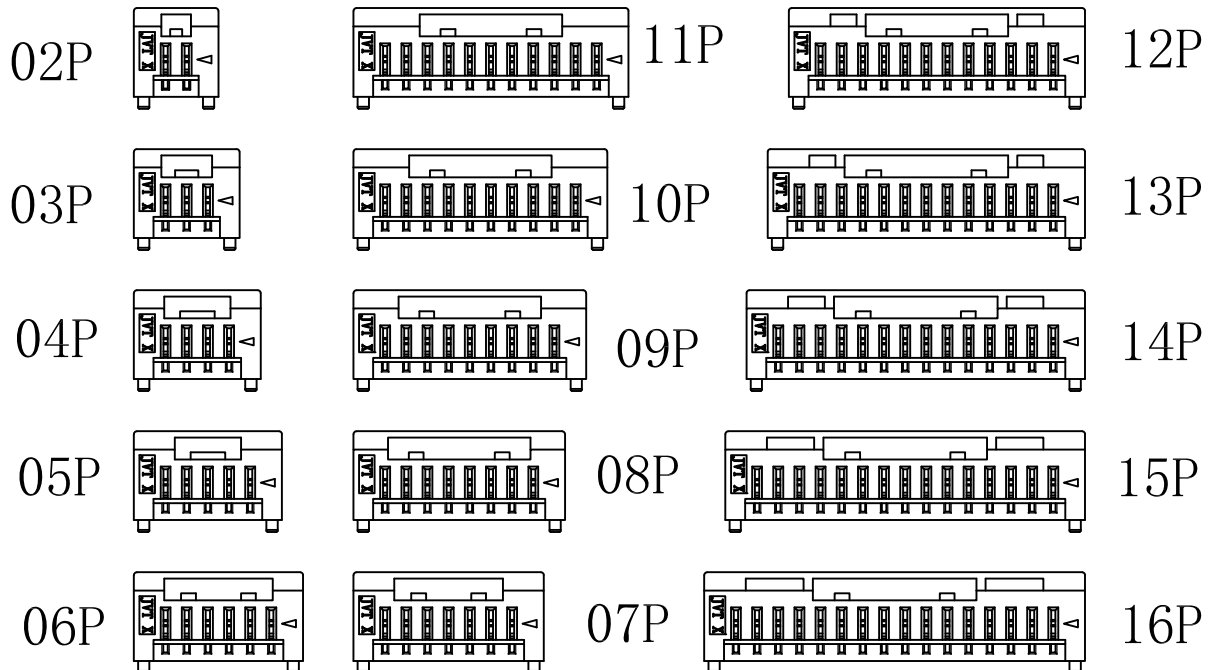
1.5mm Pitch Wafer-DIP TYPE

Connector outline



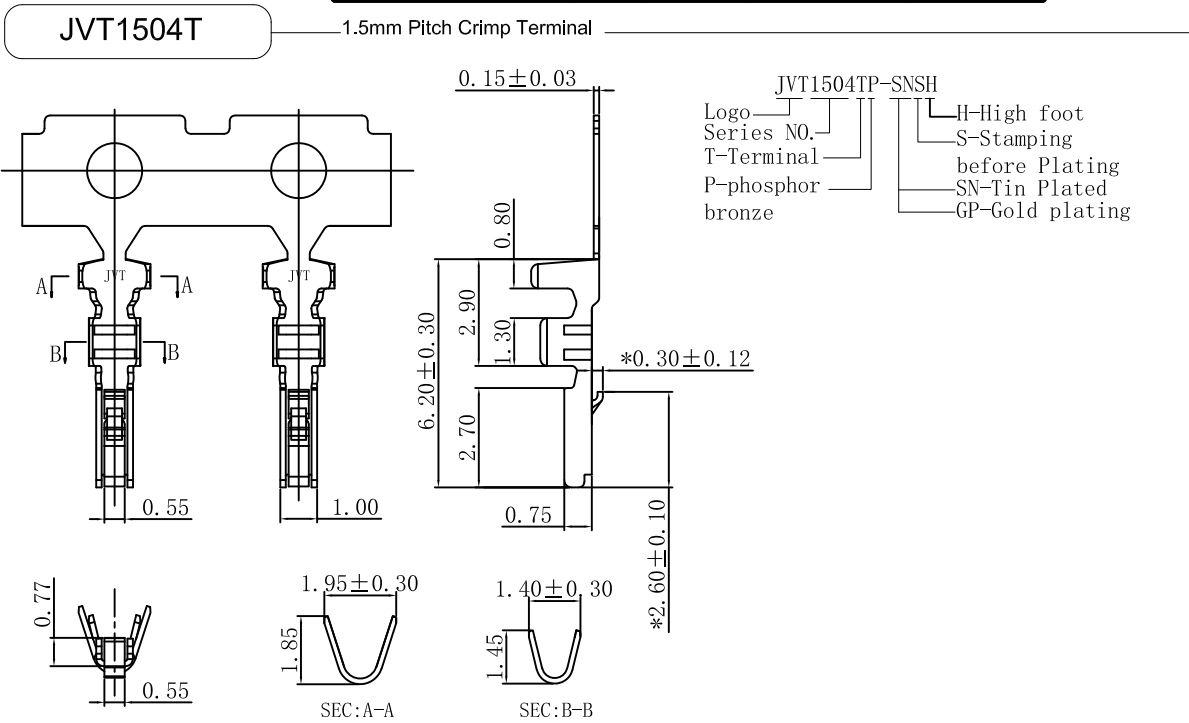
CKL	DimA	DimB
02	1.5	6.00
03	3.0	7.50
04	4.5	9.00
05	6.0	10.50
06	7.5	12.00
07	9.0	13.50
08	10.5	15.00
09	12.0	16.50
10	13.5	18.00
11	15.0	19.50
12	16.5	21.00
13	18.0	22.50
14	19.5	24.00
15	21.0	25.50
16	22.5	27.00

JVT1504WN0-XXSNRPK-D	PA66 UL94V-0	Phos Bronze	Tin plated	Brass	Tin plated	JVT1504 Housing
PART NO	Material	Material(Pin)	Finish(Pin)	Material (Solder Tabs)	Finish (Solder Tabs)	Mates With Part(s)



JVT1504 SERIES

1.5mm pitch wire to board connector



JVT1504TP-SNSH	Phos Bronze	Tin Plated	AWG#24~28	1.20mm(Max)	JVT1504 HOUSING
JVT1504TP-GPSH		Gold plated			
PART NO	Material	Finish(Pin)	Wire Range	Insulation O.D.	Mates With Part(s)