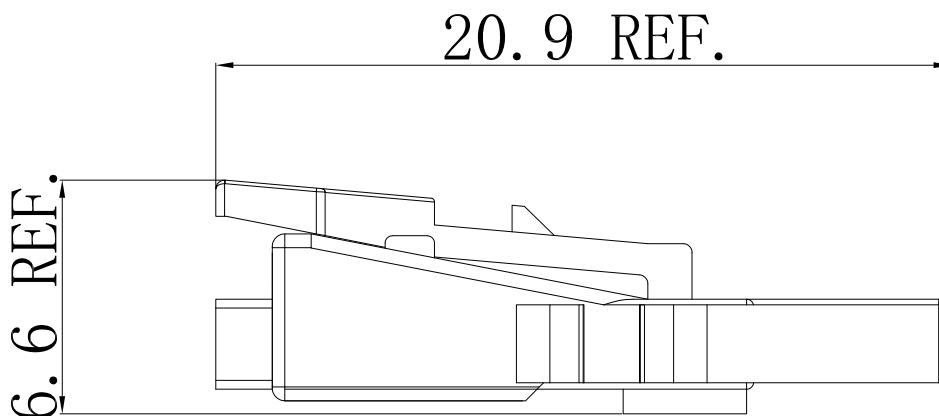


## Specifications

- Voltage rating: 250V AC, DC
- Current Rating: 3A, AC, DC
- Withstand voltage: 1000V AC/minute
- Contact resistance: 20mΩ max
- Insulation resistance: 1000MΩ min
- Temperature range: -40°C ~ +105°C
- Suitable JVT2154T series Terminal  
JVT2154W series Wafer
- Compliant with RoHS and REACH  
Contact JVT for details

## Assembly layout



**JVT2154H**

2.54mm Pitch housing

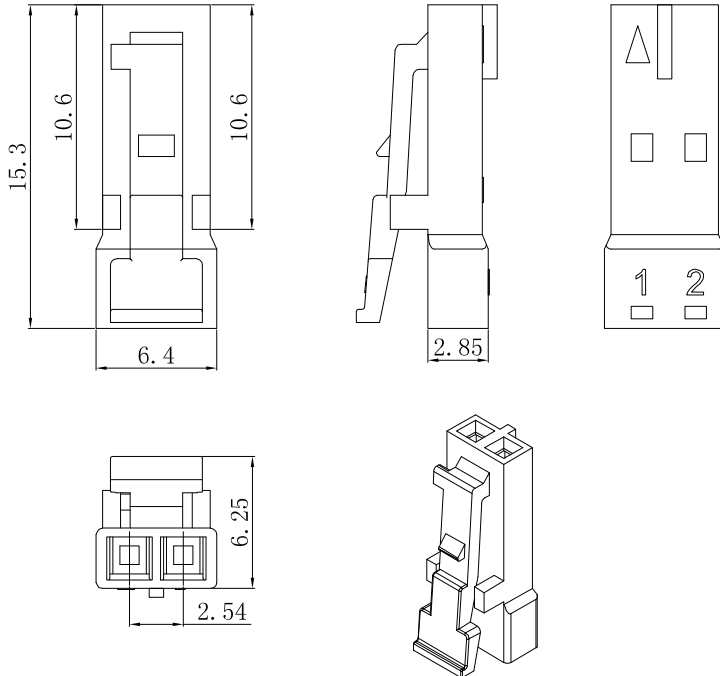
HOUSING

Part No. : JVT2154HN0-02BKL-A

Material: PA66 UL94V-0

Mates With Part(s): JVT2154 Terminal

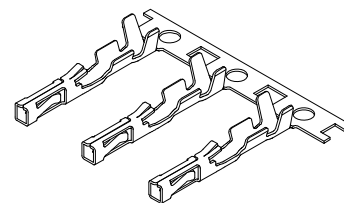
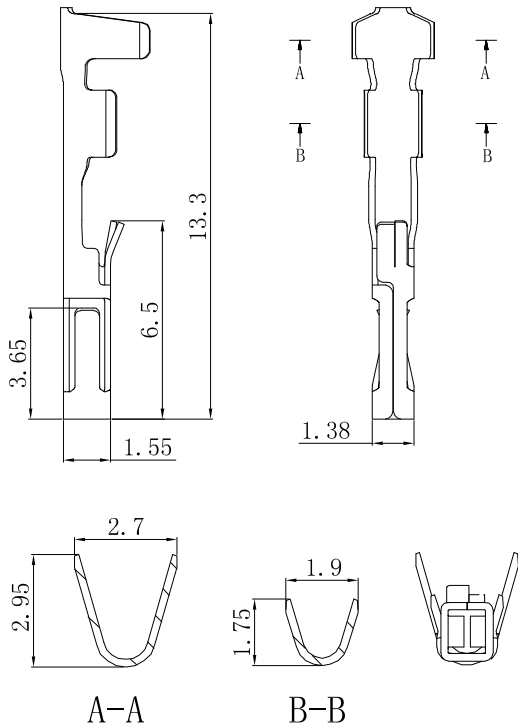
JVT2154HN0-02BKL-A  
Logo  
Series NO.  
Housing  
PA66 UL94V-0  
L-Lock  
BK-Black  
Pin NO.



**JVT2154T**

2.54mm Pitch Crimp Terminal

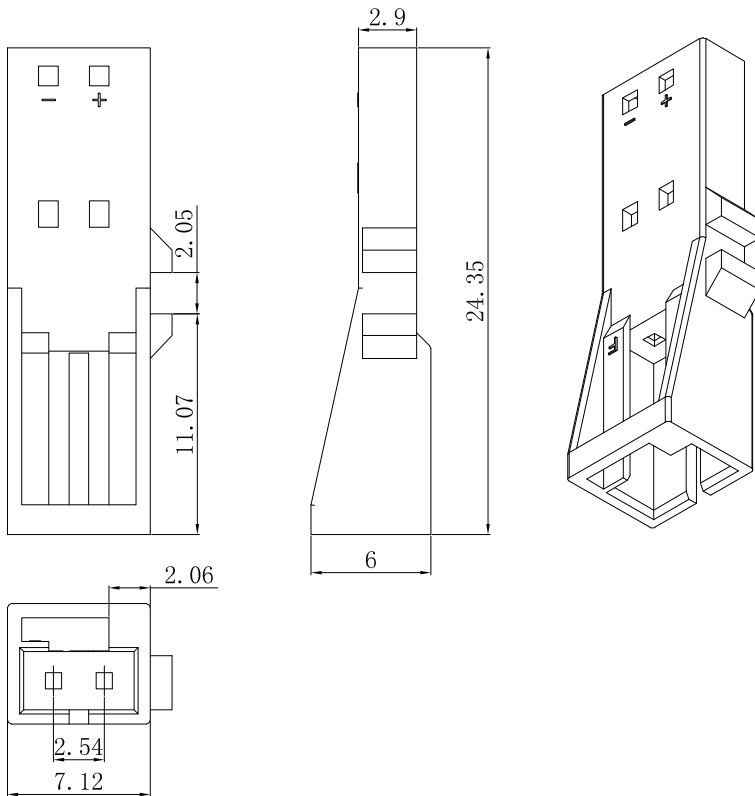
JVT2154TP-SNX  
Logo  
Series NO.  
T-Terminal  
P-Phosphor  
bronze  
S-Stamping before  
Plating  
E-Plating before  
stamping  
SN-Tin Plated



JVT2154TP-SNX	Phos Bronze	Tin Plated	AWG#22~28	1.35mm(Max)	JVT2154HOUSING
PART NO	Material	Finish(Pin)	Wire Range	Insulation O.D.	Mates With Part(s)

JVT2156H

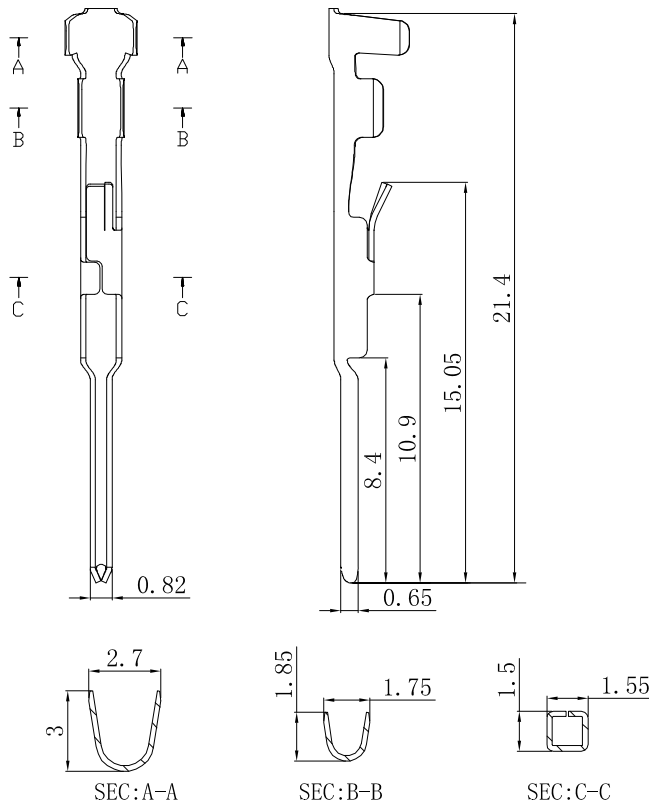
2.54mm Pitch housing



JVT2156HN0-02-A  
Logo  
Series NO.  
Housing  
PA66 UL94V-0  
Pin NO.

JVT2156T

2.54mm Pitch Crimp Terminal



JVT2156TP-SNX  
Logo  
Series NO.  
T-Terminal  
P-Phosphor  
bronze  
S-Stamping before  
Plating  
E-Plating  
before stamping  
SN-Tin Plated

JVT2156TP-SNX	Phos Bronze	Tin Plated	AWG#22~28	1.35mm(Max)	JVT2156HOUSING
PART NO	Material	Finish(Pin)	Wire Range	Insulation O.D.	Mates With Part(s)