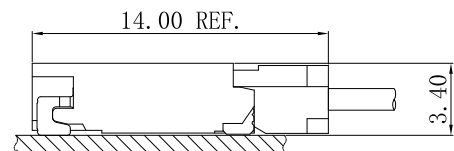
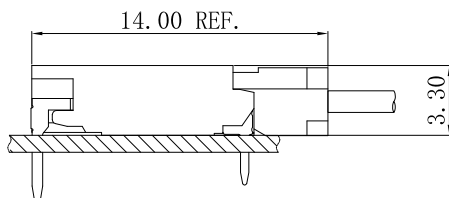


Specifications

- Voltage rating: 1400V AC, DC
- Current Rating: 1A, AC, DC
- Withstand voltage: 3800V AC/minute
- Contact resistance: 20mΩ max
- Insulation resistance: 1000MΩ min
- Temperature range: -40°C ~ +105°C
- *Suitable JVT2011T series Terminal
JVT2012W series Wafer
- Compliant with RoHS and REACH
Contact JVT for details

Assembly layout



JVT2011H

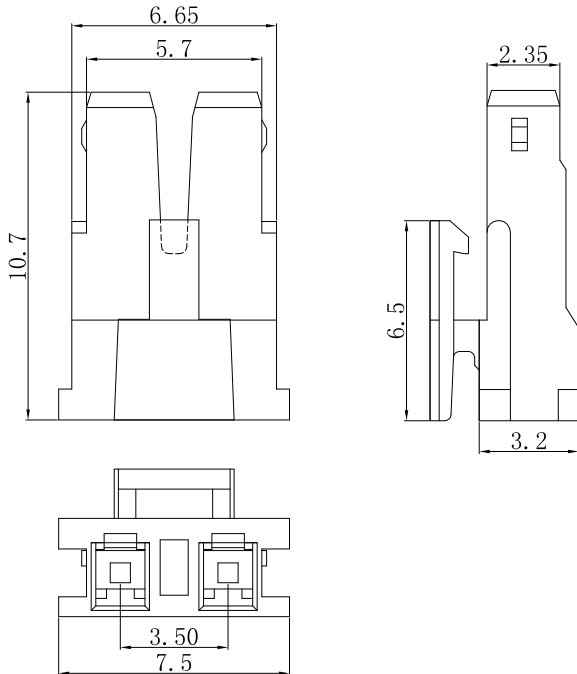
3.5mm Pitch housing

HOUSING

Part No.: JVT2011HNO-02ML

Material: PA66 UL94V-0

Mates With Part(s): JVT2011 Terminal



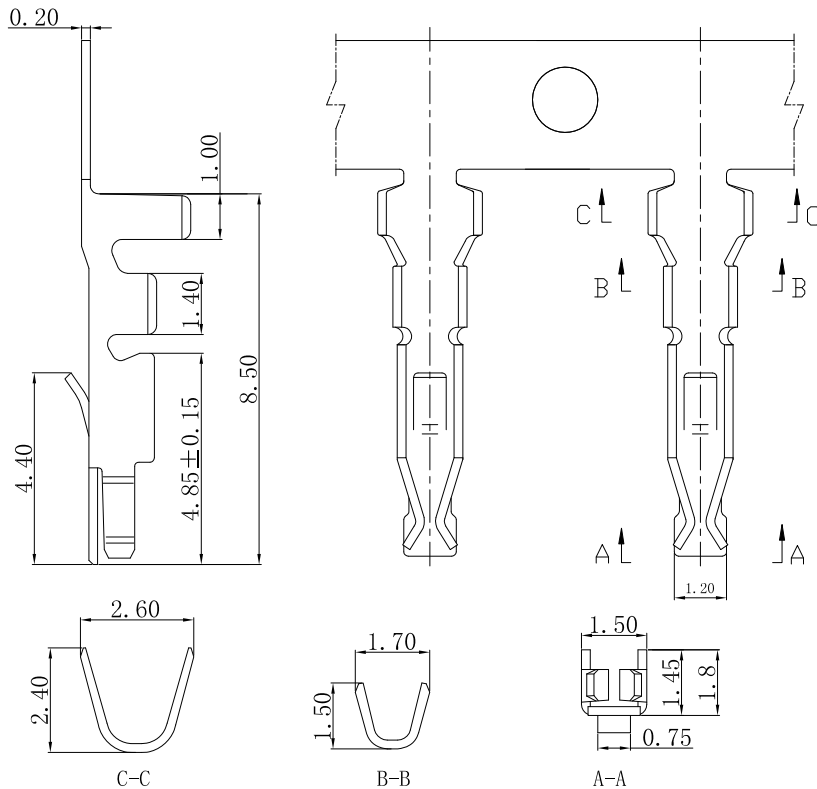
JVT2011HNO-02ML

Logo
Series NO.
Housing

Lock
Male HSG
Pin NO.
NO-PA66

JVT2011T

3.5mm Pitch Crimp Terminal



JVT2011TP-SNXM

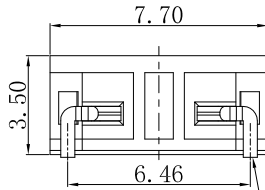
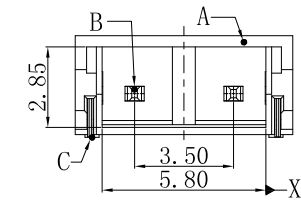
Logo
Series NO.
T-Terminal
P-Phosphor
bronze

M-Male
S-Stamping before
Plating
E-Plating before
stamping
Sn-Tin Plated

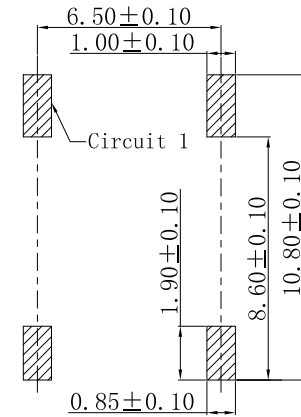
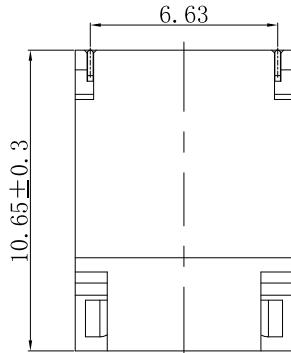
| | | | | | |
|----------------|-------------|-------------|------------|-----------------|--------------------|
| JVT2011TP-SNXM | Phos Bronze | Tin Plated | AWG#24~28 | 1.60mm(Max) | JVT2011 HOUSING |
| PART NO | Material | Finish(Pin) | Wire Range | Insulation O.D. | Mates With Part(s) |

JVT2012W

3.5mm Pitch 90°Wafer-SMT TYPE



Circuit 1



SUGGESTED PCB LAYOUT
(COMPONENT SIDE)

JVT2012WLP-02SNR-S
Logo
Series NO.
Wafer
LP-LCP
S-SMT
R-Right Angle 90°
SN-Tin Plated
Pin NO.



0.12 MAX

| | | | | |
|--------------------|-------------|---------------|-------------|--------------------|
| JVT2012WLP-02SNR-S | LCP UL94V-0 | Brass | Tin Plated | JVT2011 Housing |
| PART NO | Material | Material(Pin) | Finish(Pin) | Mates With Part(s) |