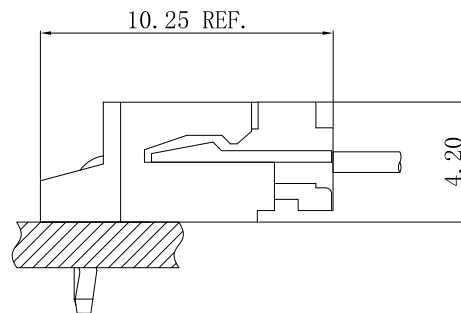
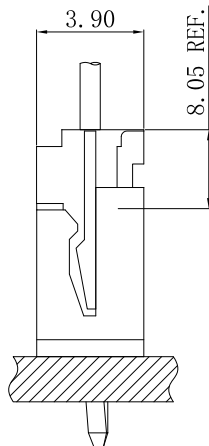


Specifications

- Voltage rating: 250V AC, DC
- Current Rating: 3A, AC, DC
- Withstand voltage: 800V AC/minute
- Contact resistance: 20mΩ max
- Insulation resistance: 1000mΩ min
- Temperature range: -40°C ~ +105°C
- *Suitable JVT1131T series Terminal
JVT1132W series Wafer
- Compliant with RoHS and REACH
Contact JVT for details

Assembly layout



JVT1131H

2.5mm Pitch housing

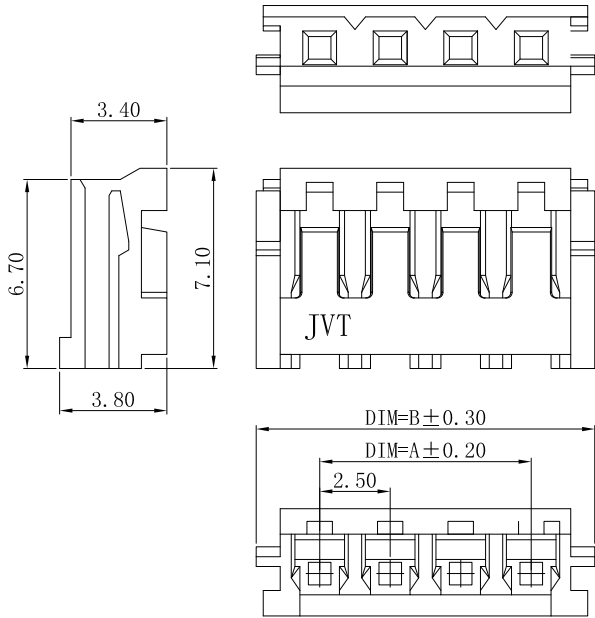
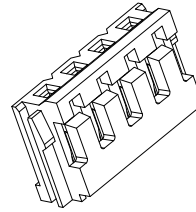
HOUSING

Part No.: JVT1131HNO-XXXX

Material: Nylon 66 UL94V-0

Mates With Part(s): JVT1131 Terminal

JVT1131HNO-XXXX
Logo
Series NO.
Housing
PA66 UL94V-0
Blank-natural color
RE-Red
BK-Black
BL-Blue
Pin NO.

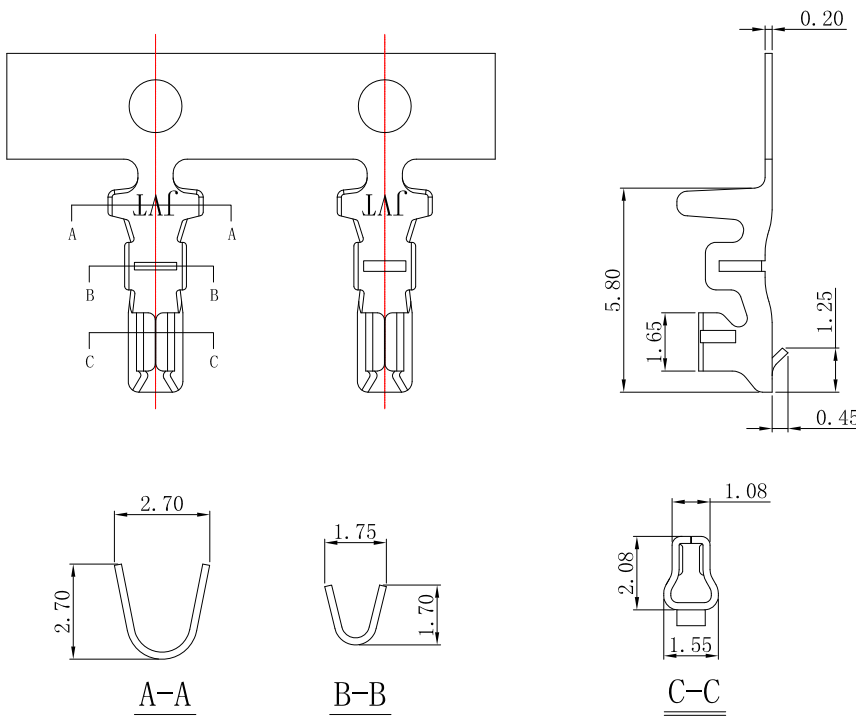


Poles	DIM(mm)		Poles	DIM(mm)	
	A	B		A	B
02	2.50	7.0	10	22.50	27.0
03	5.00	9.5	11	25.00	29.5
04	7.50	12.0	12	27.50	32.0
05	10.00	14.5	13	30.00	34.5
06	12.50	17.0	14	32.50	37.0
07	15.00	19.5	15	35.00	39.5
08	17.50	22.0	16	37.50	42.0
09	20.00	24.5			

JVT1131T

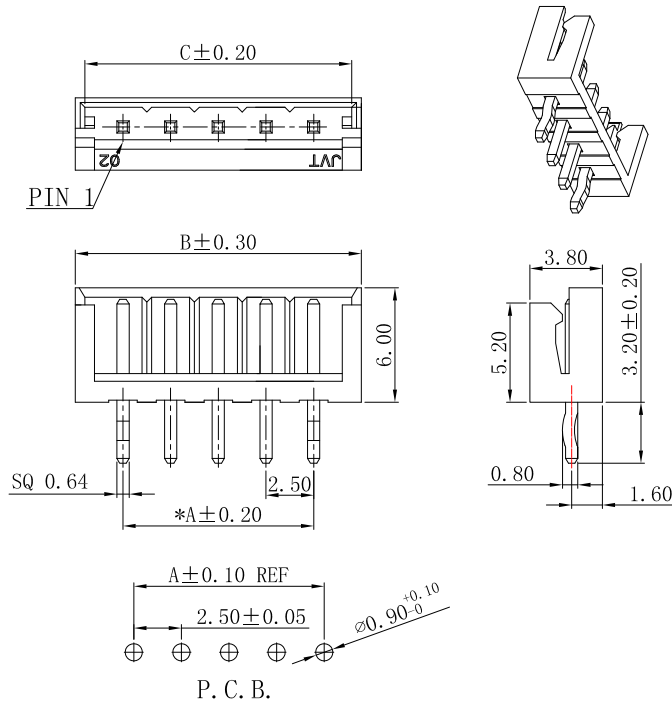
2.5mm Pitch Crimp Terminal

JVT1131TP-SNS
Logo
Series NO.
T-Terminal
P-Phosphor bronze
S-Stamping before Plating
SN-Tin Plated



JVT1131TP-SNS	Phos Bronze	Tin Plated	AWG#22~30	1.9mm(Max)	JVT1131 HOUSING
PART NO	Material	Finish(Pin)	Wire Range	Insulation O.D.	Mates With Part(s)

JVT1132W — 2.5mm Pitch 180°Wafer-DIP TYPE

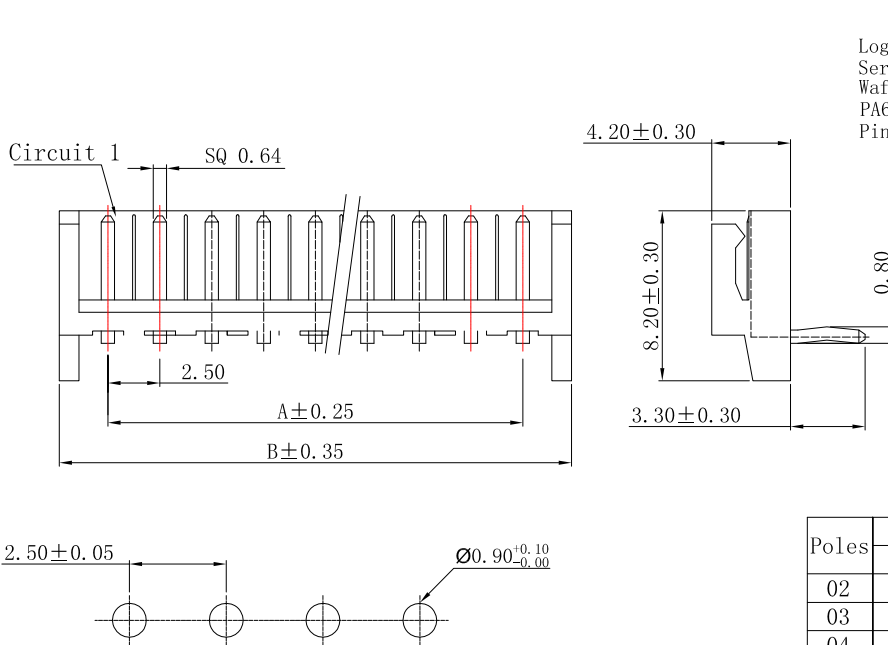


JVT1132WN0-XXSNKXX-D
 Logo
 Series NO.
 Wafer
 PA66 UL94V-0
 Pin NO.
 Tin Plated
 D-DIP
 Blank-natural color
 RE-Red
 BK-Black
 BL-Blue
 K-With kink

Poles	DIM(mm)			Poles	DIM(mm)		
	A	B	C		A	B	C
02	2.50	7.50	6.70	09	20.00	25.00	24.20
03	5.00	10.00	9.20	10	22.50	27.50	26.70
04	7.50	12.50	11.70	11	25.00	30.00	29.20
05	10.00	15.00	14.20	12	27.50	32.50	31.70
06	12.50	17.50	16.70	13	30.00	35.00	34.20
07	15.00	20.00	19.20	14	32.50	37.50	36.70
08	17.50	22.50	21.70	15	35.00	40.00	39.20

JVT1132WN0-XXSNKXX-D	PA66 UL94V-0	Brass	Tin Plated	JVT1131 Housing
PART NO	Material	Material(Pin)	Finish(Pin)	Mates With Part(s)

JVT1132WR — 2.5mm Pitch 90°Wafer-DIP TYPE



JVT1132WN0-XXSNRKL-D
 Logo
 Series NO.
 Wafer
 PA66 UL94V-0
 Pin NO.
 DIP
 Lock
 With K feet
 Right Angle 90°
 Tin Plated

Poles	DIM (mm)		Poles	DIM (mm)	
	A	B		A	B
02	2.50	7.50	09	20.00	25.00
03	5.00	10.00	10	22.50	27.50
04	7.50	12.50	11	25.00	30.00
05	10.00	15.00	12	27.50	32.50
06	12.50	17.50	13	30.00	35.00
07	15.00	20.00	14	32.50	37.50
08	17.50	22.50	15	35.00	40.00

JVT1132WN0-XXSNRKL-D	PA66 UL94V-0	Brass	Tin Plated	JVT1131 Housing
PART NO	Material	Material(Pin)	Finish(Pin)	Mates With Part(s)