

## Specifications

- Voltage rating: 350V AC, DC
- Current Rating: 4A, AC, DC
- Withstand voltage: 1700V AC/minute
- Contact resistance: 30m $\Omega$  max
- Insulation resistance: 1000m $\Omega$  min
- Temperature range: -40°C ~ +105°C
- Suitable JVT1800T series Terminal  
JVT1800W series Wafer
- Compliant with RoHS and REACH  
Contact JVT for details

**JVT1800H**

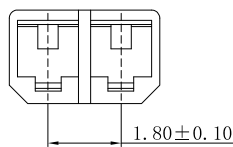
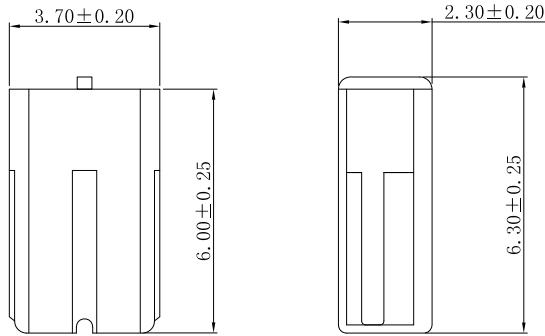
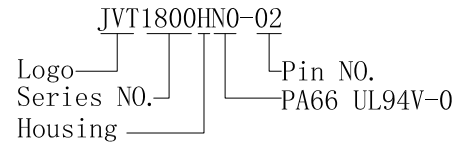
1.8mm Pitch housing

HOUSING

Part No. : JVT1800HN0-02

Material: Nylon 66 UL94V-0

Mates With Part(s): JVT1800 Terminal



**JVT1800H**

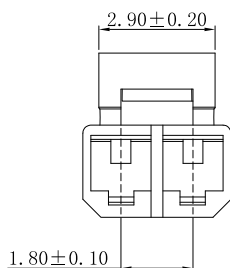
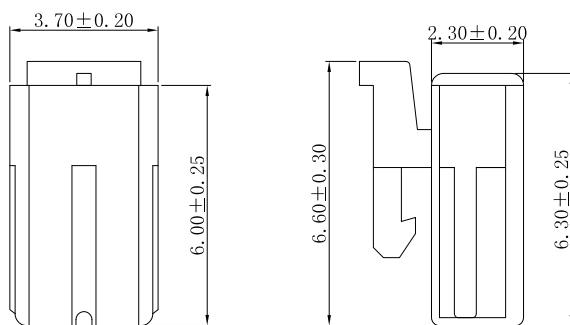
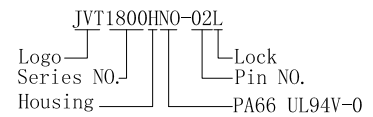
1.8mm Pitch housing

HOUSING

Part No. : JVT1800HN0-02L

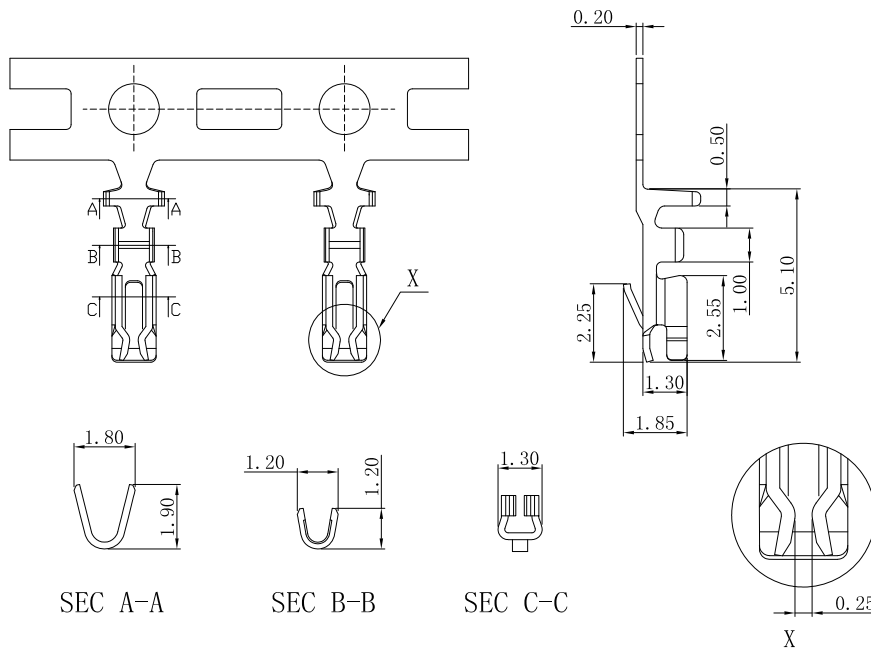
Material: Nylon 66 UL94V-0

Mates With Part(s): JVT1800 Terminal



**JVT1800T**

1.8mm Pitch Crimp Terminal

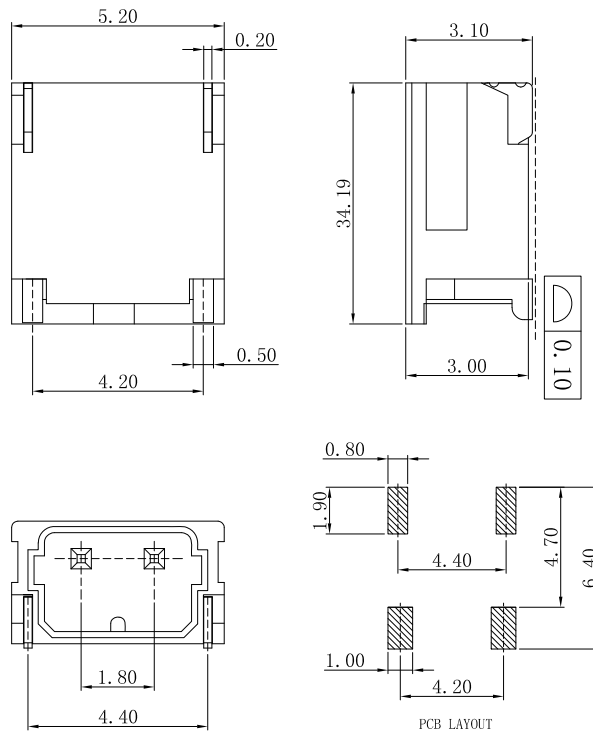


JVT1800TP-SNS  
 Logo  
 Series NO.  
 T-Terminal  
 P-Phosphor bronze  
 S-Stamping before Plating  
 E-Plating before stamping  
 Tin Plated

JVT1800TP-SNS	Phos Bronze	Tin Plated	AWG#28~30	1.2mm(Max)	JVT1800 HOUSING
PART NO	Material	Finish(Pin)	Wire Range	Insulation O.D.	Mates With Part(s)

**JVT1800W**

1.8mm Pitch 90°Wafer-SMT TYPE

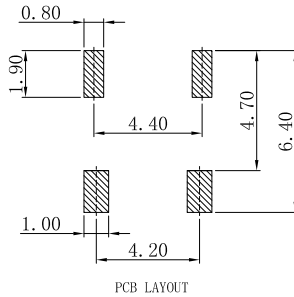
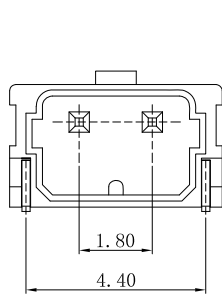
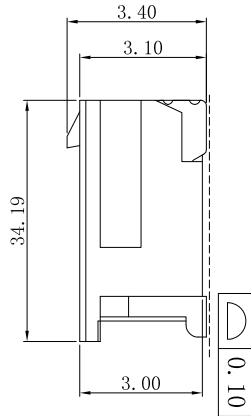
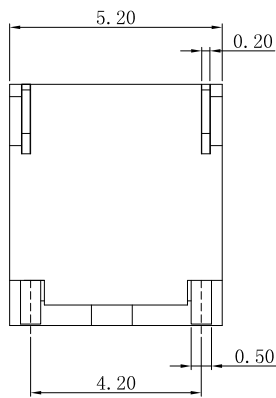


JVT1800WLP-02SNR-S  
 Logo  
 Series NO.  
 Wafer  
 LCP 94V-0  
 SMT 90°  
 Tin Plated  
 Pin NO.

JVT1800WLP-02SNR-S	LCP UL94V-0	Phosphoric bronze	Tin Plated	JVT1800 Housing
PART NO	Material	Material (Pin)	Finish (Pin)	Mates With Part(s)

JVT1800T

1.8mm Pitch Crimp Terminal



JVT1800WLP-02SNRSL-S

- Logo
- Series NO.
- WAFER
- LCP
- SMT
- SL-Small buckle
- Right angle 90°
- Tin-plated
- PIN No.

JVT1800WLP-02SNRSL-S	LCP UL94V-0	Phosphoric bronze	Tin Plated	JVT1800 Housing
PART NO	Material	Material (Pin)	Finish (Pin)	Mates With Part(s)