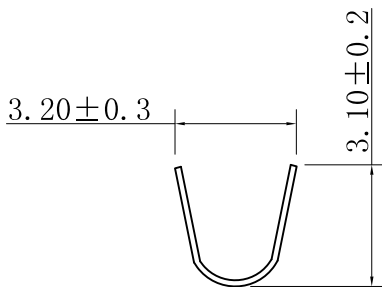
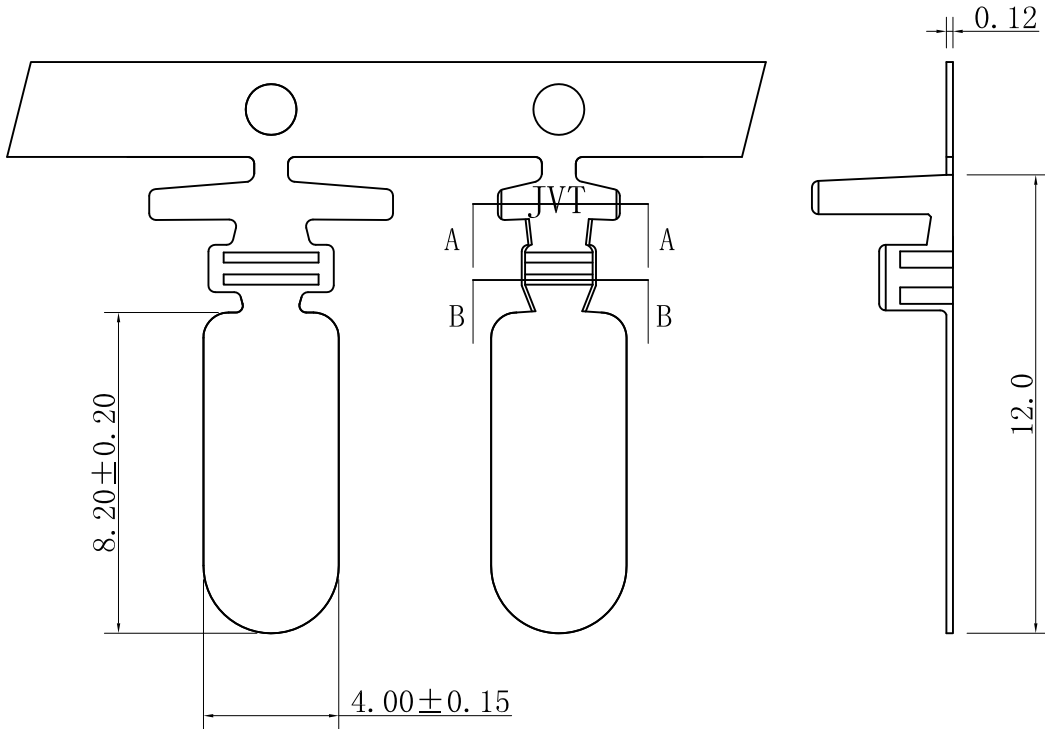


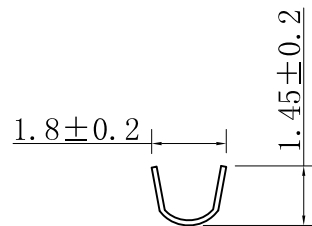
JVT1340T

1340 Soldering terminal

JVT1340TU4
Logo
Series NO.
T-Terminal
SUS430



A-A SEC



B-B SEC

JVT1340TU4	SUS430 不锈钢	NA	22AWG-26AWG	1.6mm MAX	NA
PART NO	Material	Finish(Pin)	Wire Range	Insulation O.D.	Mates With Part(s)