

Specifications

- Voltage rating: 300V AC, DC
- Current Rating: 10A, AC, DC
- Withstand voltage: 1200V AC/minute
Contact resistance: 20mΩ max
Insulation resistance: 1000MΩ min
- Temperature range: -40°C ~ +105°C
- Compliant with RoHS and REACH
- Contact JVT for details

Assembly layout

JVT 2800/2801 SERIES 4.0mm pitch wire to board connector

JVT2800H

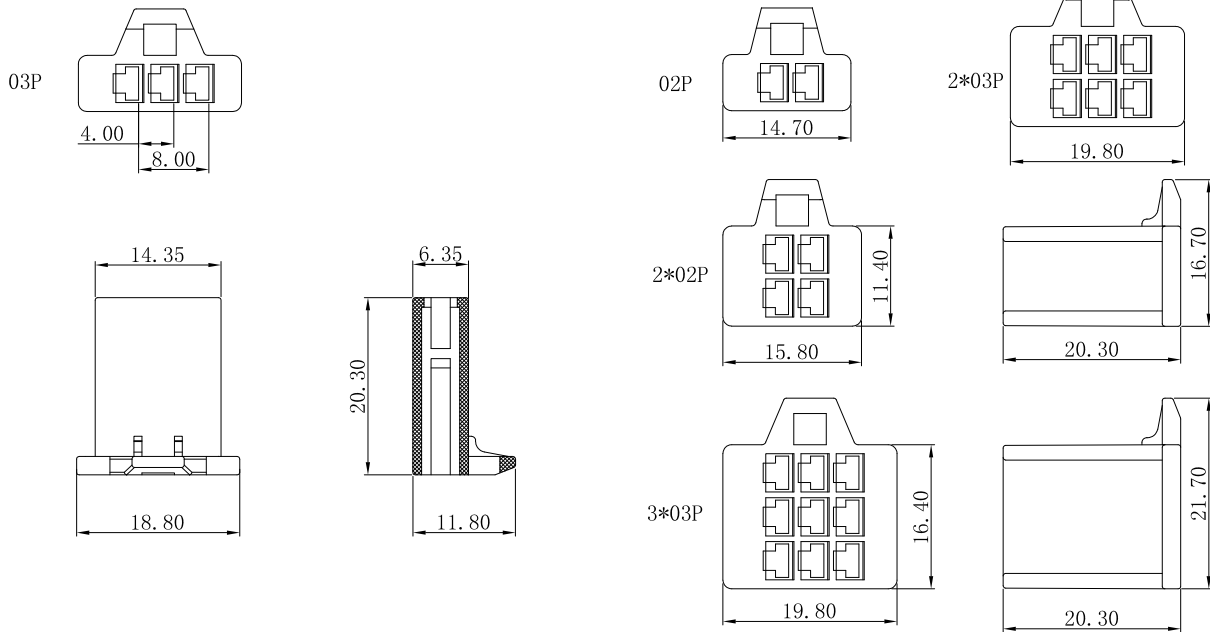
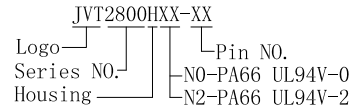
4.0mm Pitch housing

HOUSING

Part No.: JVT2800HXX-XX

Material: Nylon 66 UL94V-0

Mates With Part(s): JVT2800 Terminal



JVT2801H

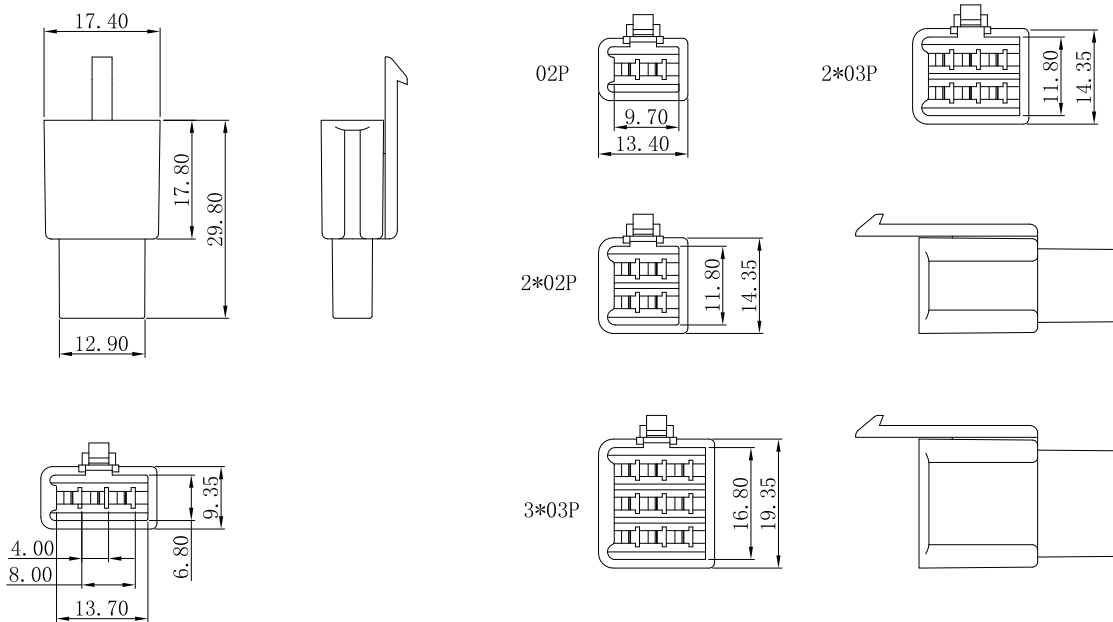
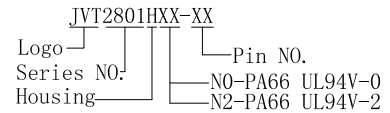
4.0mm Pitch housing

HOUSING

Part No.: JVT2801HXX-XX

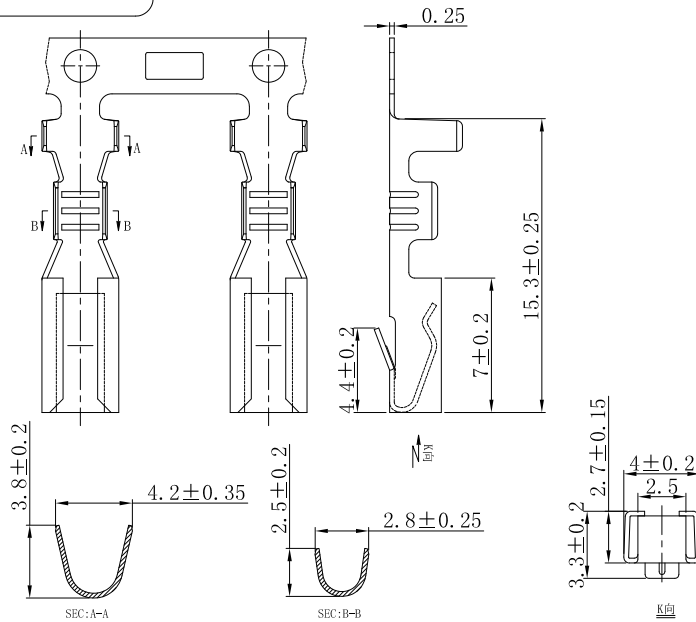
Material: Nylon 66 UL94V-0/2

Mates With Part(s): JVT2801 Terminal



JVT2800/2801 SERIES 4.0mm pitch wire to wire connector

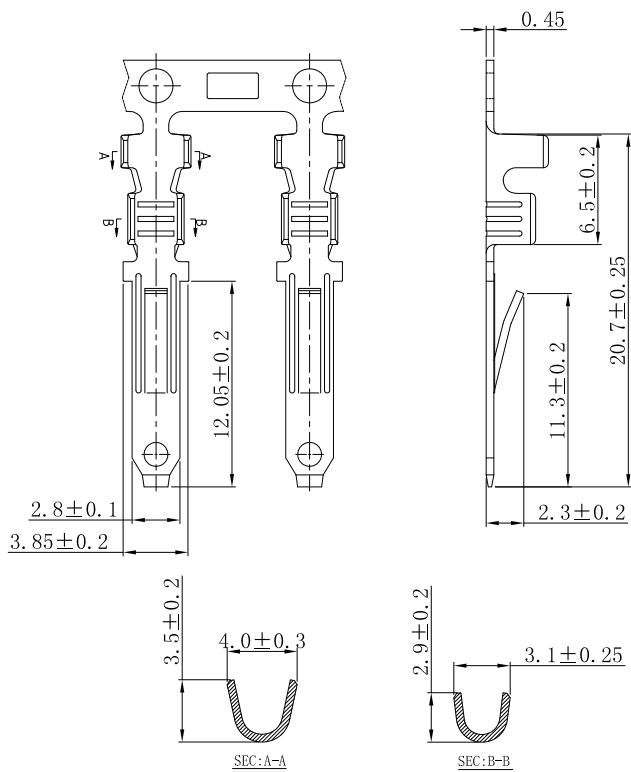
JVT2800T — 4.0mm Pitch Crimp Terminal



JVT2800TP-XXS
 Logo
 Series NO.
 T-Terminal
 P-Phosphor bronze
 S-Stamping before Plating
 SN-Tin Plated

JVT2800TP-XXS	Phos Bronze	Tin Plated	AWG#18~22	2.1mm(Max)	JVT2800 Housing
PART NO	Material	Finish(Pin)	Wire Range	Insulation O.D.	Mates With Part(s)

JVT2801T — 4.0mm Pitch Crimp Terminal



JVT2801TB-SNS
 Logo
 Series NO.
 T-Terminal
 B-Brass
 S-Stamping before Plating
 SN-Tin Plated

JVT2801TP-XXS	Brass	Tin Plated	AWG#18~22	2.1mm(Max)	JVT2801 Housing
PART NO	Material	Finish(Pin)	Wire Range	Insulation O.D.	Mates With Part(s)