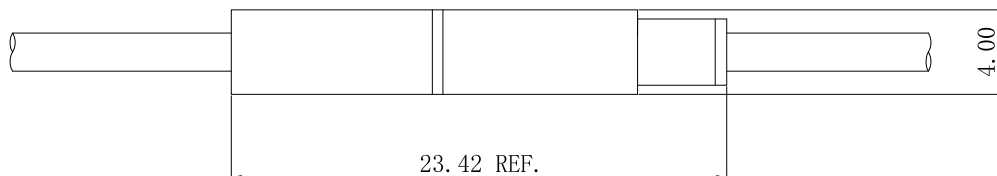


## Specifications

- Voltage rating: 250V AC, DC
- Current Rating: 3A, AC, DC
- Withstand voltage: 1500V AC/minute
- Contact resistance: 20mΩ max
- Insulation resistance: 500mΩ min
- Temperature range: -40°C ~ +105°C
- \*Suitable JVT1033T-M series Terminal  
JVT1033H-W series Housing
- Compliant with RoHS and REACH  
Contact JVT for details

## Assembly layout



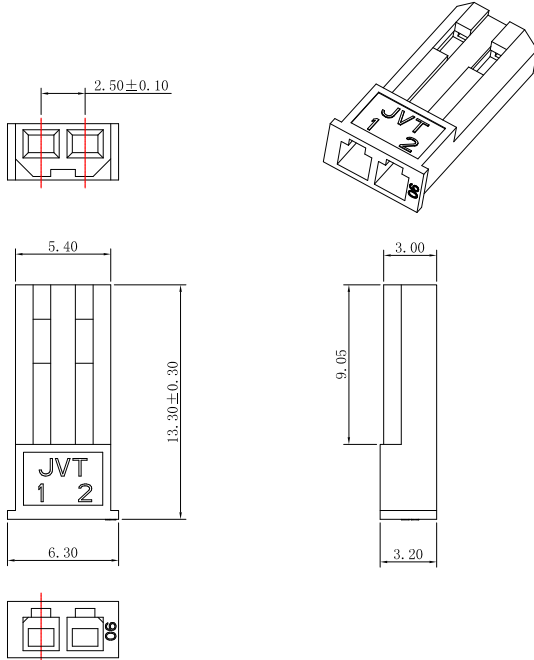
**JVT1033H**

2.5mm Pitch housing

HOUSING

Part No. : JVT1033HN0-02GWM  
Material: PA66 UL 94V-0 Glow Wire750°C  
Mates With Part(s):JVT1033 Terminal

JVT1033HN0-02GWM  
logo  
Series NO.  
Housing  
NO-PA66 UL94V-0  
Male HSG  
Glow Wire750°C  
pin NO.



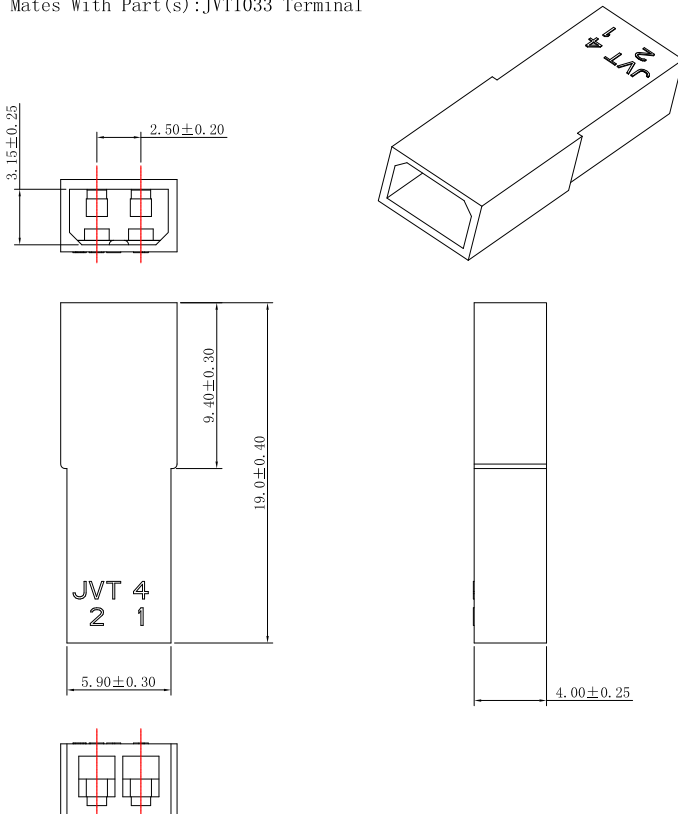
**JVT1033T**

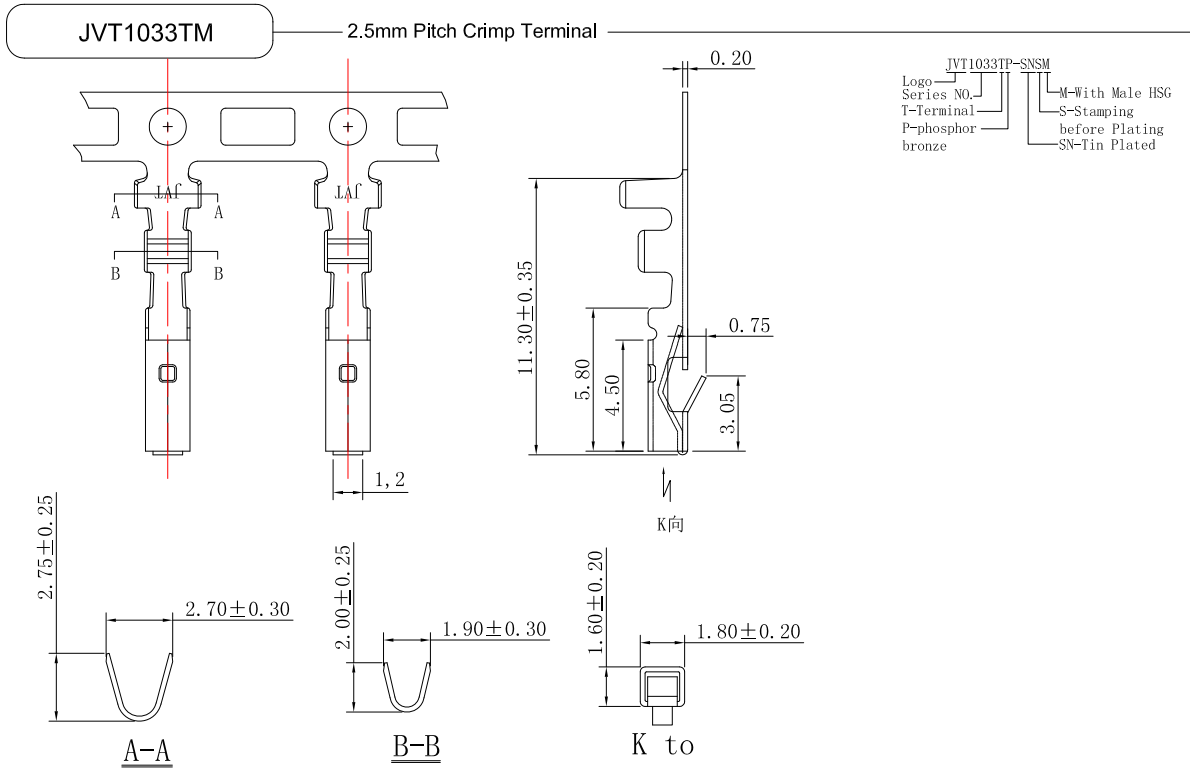
2.5mm Pitch housing

HOUSING

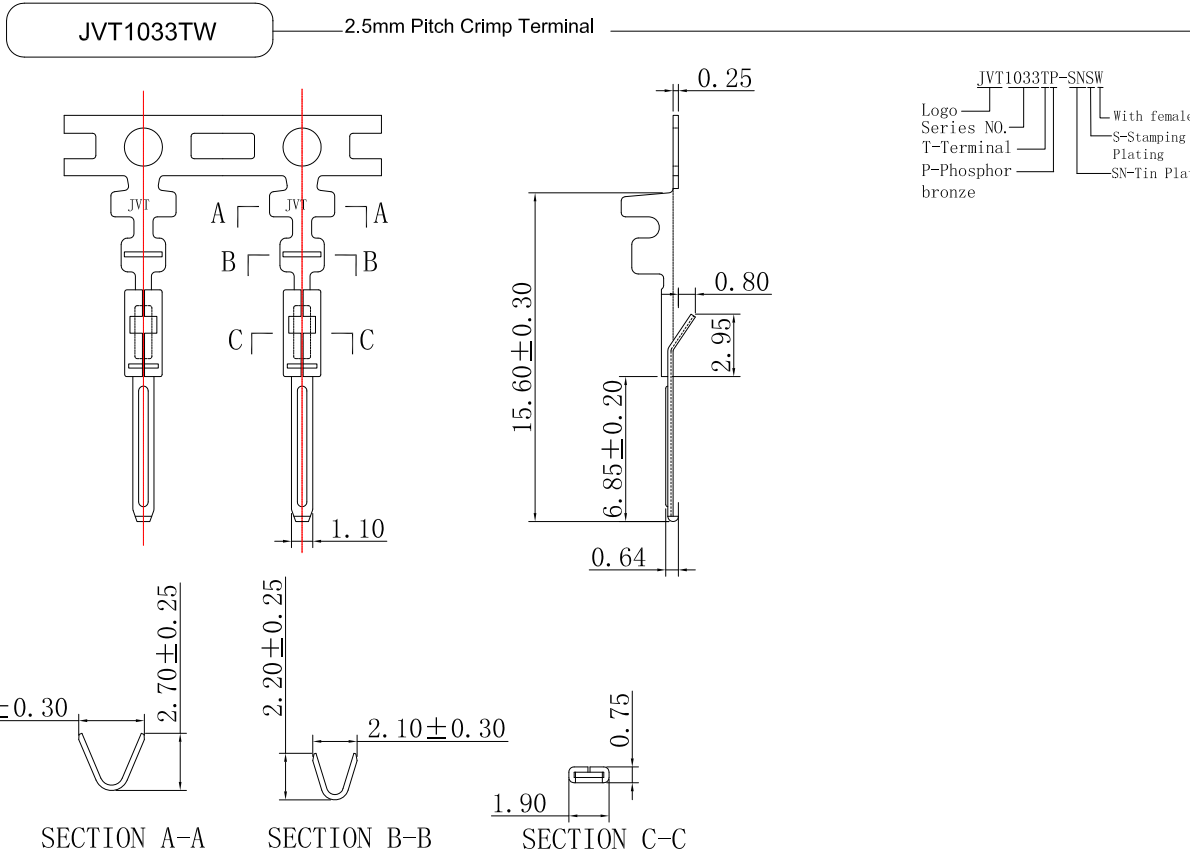
Part No. : JVT1033HN2-02GWW  
Material: PA66 UL 94V-0 Glow Wire750°C  
Mates With Part(s):JVT1033 Terminal

JVT1033HN2-02GWW  
logo  
Series NO.  
Housing  
PA66 UL94V-2  
Female HSG  
Glow Wire750°C  
PIN NO.





JVT1033TP-SNSM	Phos Bronze	Tin Plated	AWG#22~28	1.8mm(Max)	JVT1033 HOUSING
PART NO	Material	Finish(Pin)	Wire Range	Insulation O.D.	Mates With Part(s)



JVT1033TP-SNSW	Phos Bronze	Tin Plated	AWG#22~28	1.8mm(Max)	JVT1033 HOUSING
PART NO	Material	Finish(Pin)	Wire Range	Insulation O.D.	Mates With Part(s)