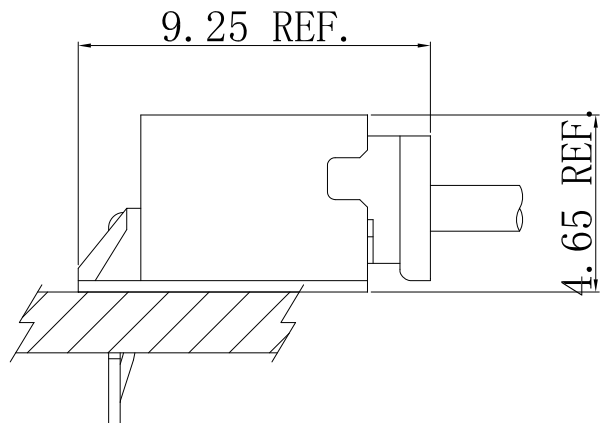
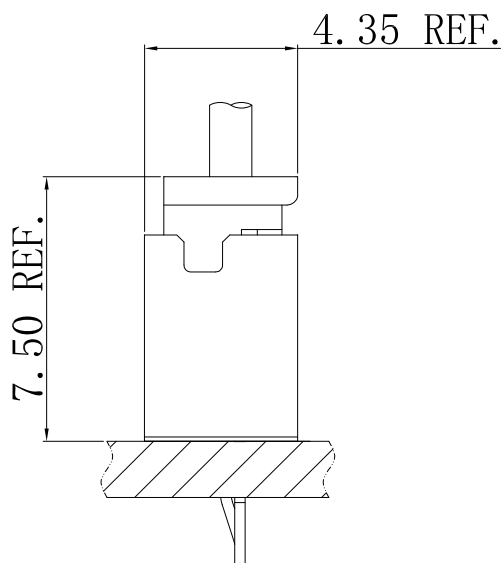


## Specifications

- Voltage rating: 125V AC, DC
- Current Rating: 2A, AC, DC
- Withstand voltage: 800V AC/minute
- Contact resistance: 20mΩ max
- Insulation resistance: 1000MΩ min
- Temperature range: -40°C ~ +105°C
- Compliant with RoHS and REACH
- Contact JVT for details

## Assembly layout



**JVT1144 SERIES**

2.0mm pitch wire to board connector

**JVT1144H**

2.0mm Pitch housing

HOUSING

Part No. : JVT1144HN0-XX

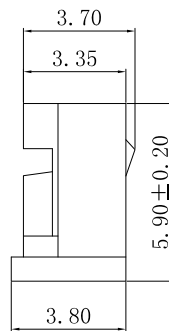
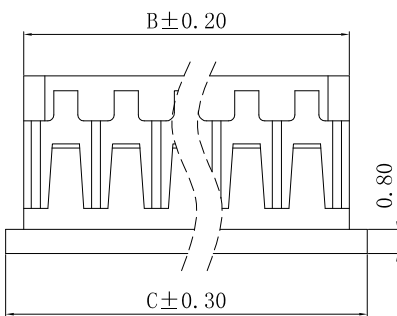
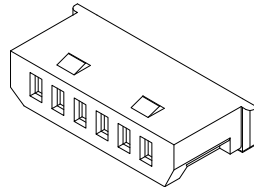
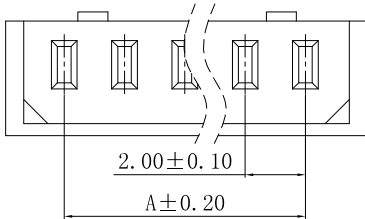
Material: Nylon 66 UL94V-0

Mates With Part(s): JVT1144 Terminal

JVT1144HN0-XX

Logo  
Series NO.  
Housing

Pin NO.  
PA66 UL94V-0

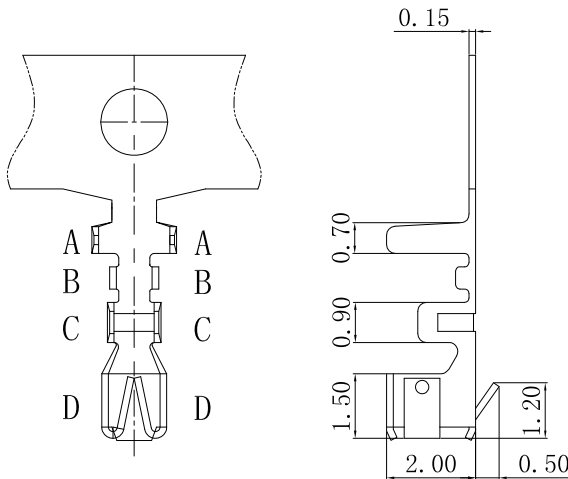


Poles	Dimensions (mm)		
	A	B	C
02	2.00	5.00	6.20
03	4.00	7.00	8.20
04	6.00	9.00	10.20
05	8.00	11.00	12.20
06	10.00	13.00	14.20
07	12.00	15.00	16.20
08	14.00	17.00	18.20
09	16.00	19.00	20.20
10	18.00	21.00	22.20
11	20.00	23.00	24.20
12	22.00	25.00	26.20
13	24.00	27.00	28.20
14	26.00	29.00	30.20
15	28.00	31.00	32.20

Unit:mm

**JVT1144T**

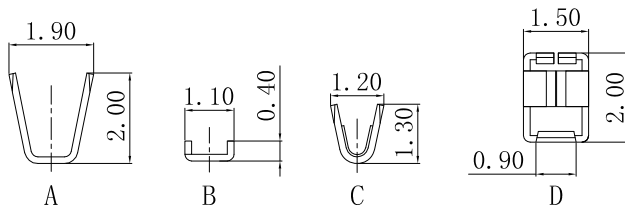
2.0mm Pitch Crimp Terminal



JVT1144TP-SNS

Logo  
Series NO.  
T-Terminal  
P-Phosphor  
bronze

S-Stamping  
before Plating  
Tin Plated



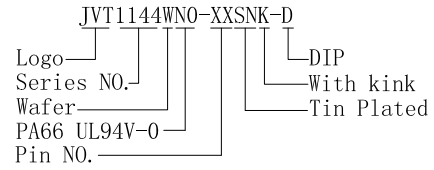
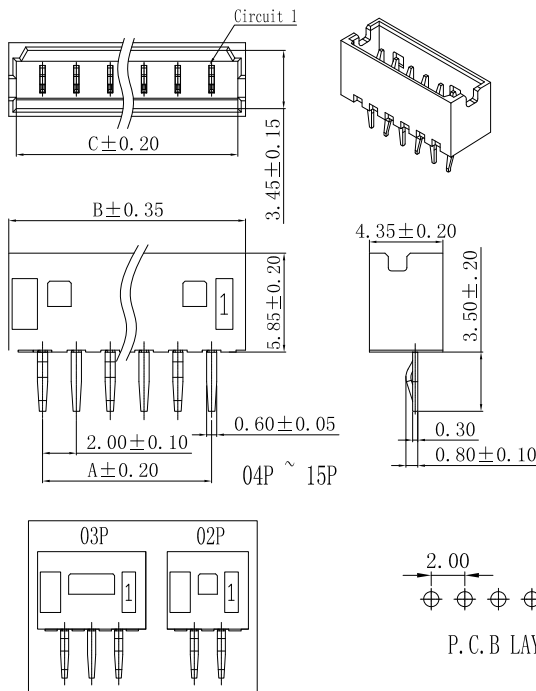
JVT1144TP-SNS	Phos Bronze	Tin Plated	AWG#24~30	1.4mm(Max)	JVT1144 HOUSING
PART NO	Material	Finish(Pin)	Wire Range	Insulation O.D.	Mates With Part(s)

**JVT1144 SERIES**

2.0mm pitch wire to board connector

**JVT1144W**

2.0mm Pitch Wafer-DIP TYPE



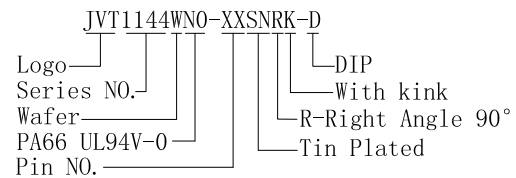
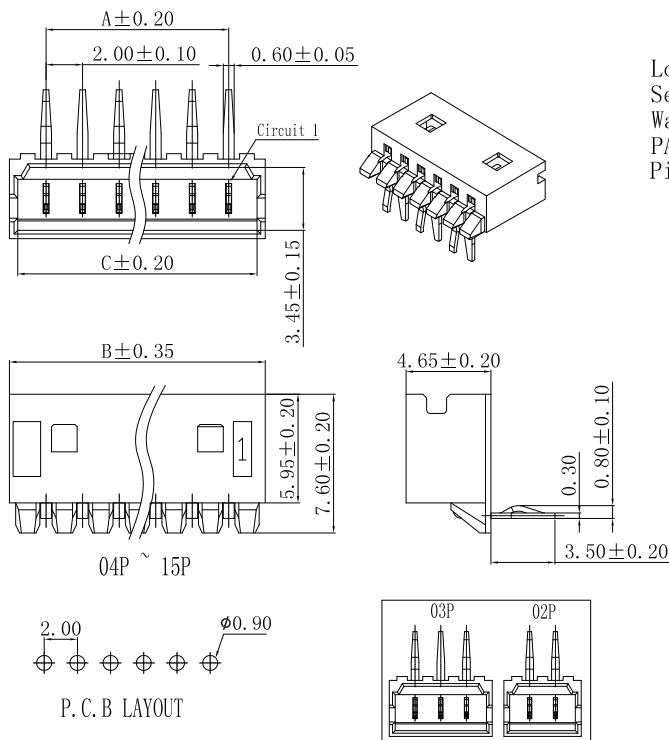
Poles	Dimensions (mm)		
	A	B	C
02	2.00	6.00	5.10
03	4.00	8.00	7.10
04	6.00	10.00	9.10
05	8.00	12.00	11.10
06	10.00	14.00	13.10
07	12.00	16.00	15.10
08	14.00	18.00	17.10
09	16.00	20.00	19.10
10	18.00	22.00	21.10
11	20.00	24.00	23.10
12	22.00	26.00	25.10
13	24.00	28.00	27.10
14	26.00	30.00	29.10
15	28.00	32.00	31.10

Unit:mm

JVT1144WNO-XXSNK-D	PA66 UL94V-0	Brass	Tin Plated	JVT1144 Housing
PART NO	Material	Material(Pin)	Finish(Pin)	Mates With Part(s)

**JVT1144W**

2.0mm Pitch 90° Wafer-DIP TYPE



Poles	Dimensions (mm)		
	A	B	C
02	2.00	6.00	5.10
03	4.00	8.00	7.10
04	6.00	10.00	9.10
05	8.00	12.00	11.10
06	10.00	14.00	13.10
07	12.00	16.00	15.10
08	14.00	18.00	17.10
09	16.00	20.00	19.10
10	18.00	22.00	21.10
11	20.00	24.00	23.10
12	22.00	26.00	25.10
13	24.00	28.00	27.10
14	26.00	30.00	29.10
15	28.00	32.00	31.10

Unit:mm

JVT1144WNO-XXSNRK-D	PA66 UL94V-0	Brass	Tin Plated	JVT1144 Housing
PART NO	Material	Material(Pin)	Finish(Pin)	Mates With Part(s)