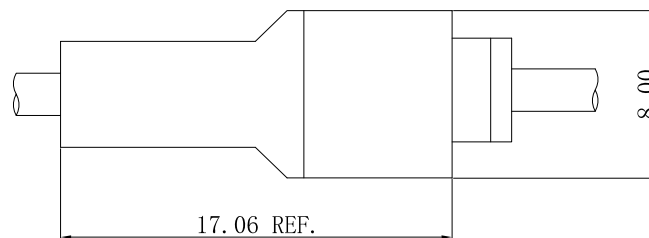


## Specifications

- Voltage rating: 250V AC, DC
- Current Rating: 2A, AC, DC
- Withstand voltage: 1000V AC/minute
- Contact resistance: 20mΩ max
- Insulation resistance: 1000MΩ min
- Temperature range: -40°C ~ +105°C
- \*Suitable JVT2540T series Terminal  
JVT2540H series Housing
- Compliant with RoHS and REACH  
Contact JVT for details

## Assembly layout



**JVT2540H**

2.5mm Pitch housing

HOUSING

Part No. : JVT2540HNO-XX

Material: PA66 UL94V-0

Mates With Part(s): JVT2540 Terminal

JVT2540HNO-XX

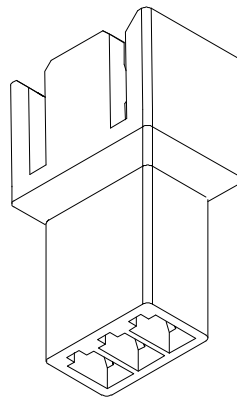
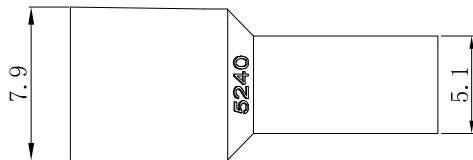
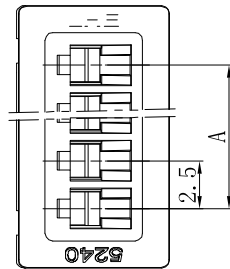
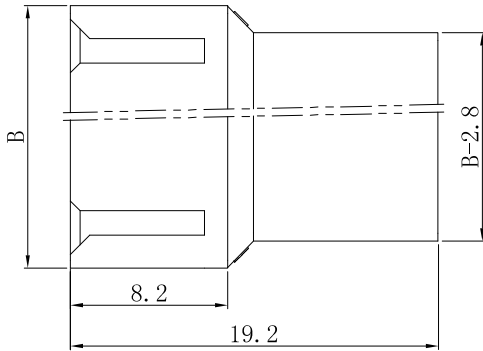
Logo

Series NO.

Housing

Pin NO.

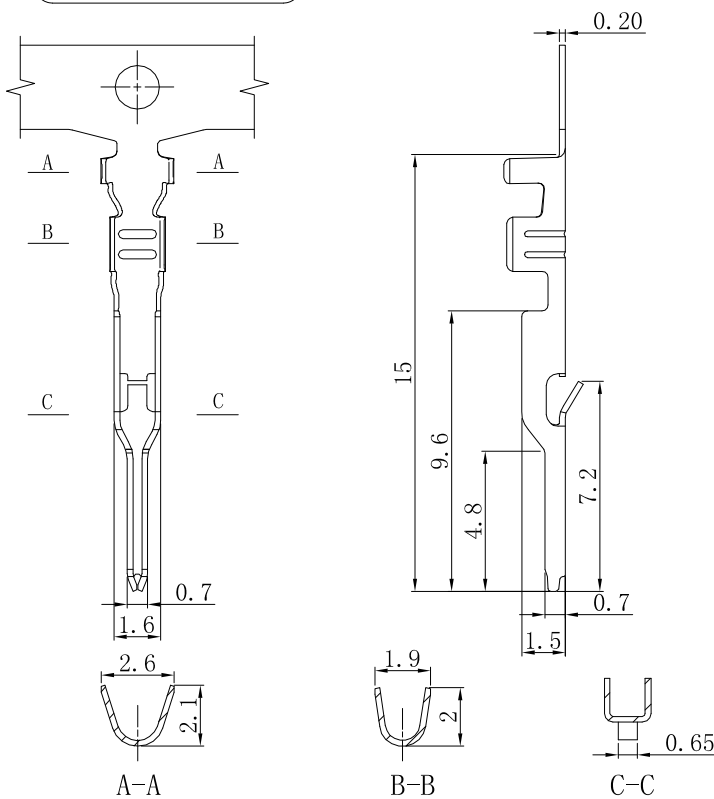
PA66 UL94V-0



Poles	Dimensions	
	A	B
02	2.5	8.7
03	5.0	11.2
04	7.5	13.7

**JVT2540T**

2.5mm Pitch Crimp Terminal



JVT2540TP-SNS

Logo

Series NO.

T-Terminal

P-Phosphor bronze

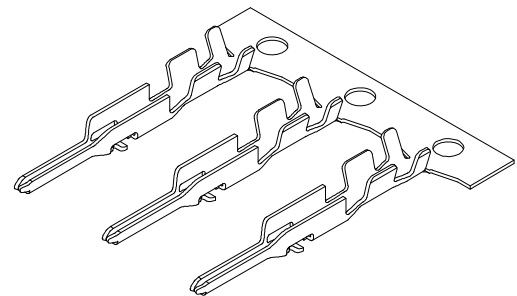
S-Stamping before

Plating

E-Plating before

stamping

Tin Plated



JVT2540TP-SNS	Phos Bronze	Tin Plated	AWG#22~28	1.4mm(Max)	JVT2540 HOUSING
PART NO	Material	Finish(Pin)	Wire Range	Insulation O.D.	Mates With Part(s)

**JVT2541H**

2.5mm Pitch housing

HOUSING

Part No. : JVT2541HN0-XX

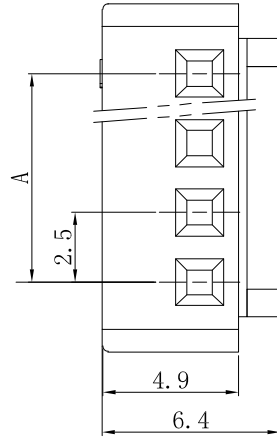
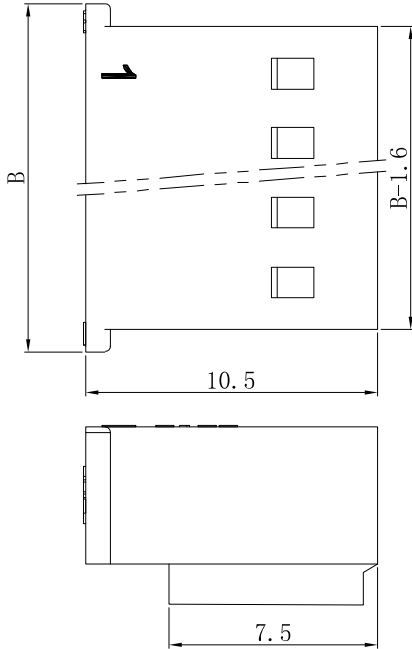
Material: PA66 UL94V-0

Mates With Part(s): JVT2541 Terminal

JVT2541HN0-XX

Logo ———  
Series NO. ———  
Housing ———

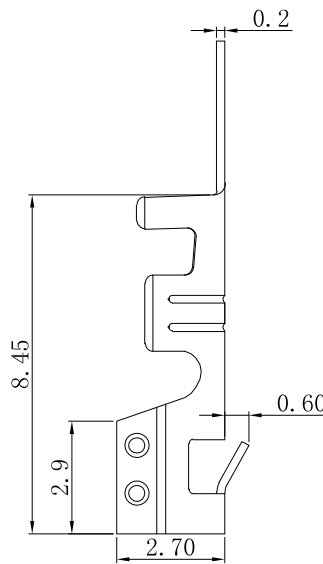
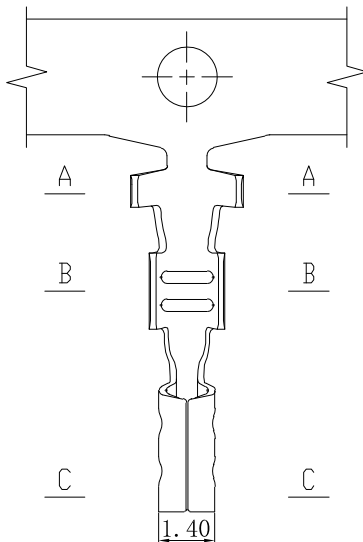
Pin NO. ———  
PA66 UL94V-0 ———



Poles	Dimensions	
	A	B
02	2.5	7.6
03	5.0	10.00
04	7.5	12.50

**JVT2541T**

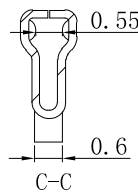
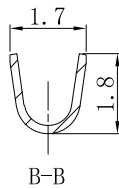
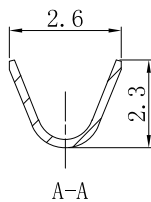
2.5mm Pitch Crimp Terminal



JVT2541TP-SNX

Logo ———  
Series NO. ———  
T-Terminal ———  
P-Phosphor bronze ———

S-Stamping before Plating  
E-Plating before stamping  
Tin Plated



JVT2541TP-SNS	Phos Bronze	Tin Plated	AWG#22~28	1.4mm(Max)	JVT2541 HOUSING
PART NO	Material	Finish(Pin)	Wire Range	Insulation O.D.	Mates With Part(s)