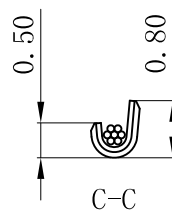
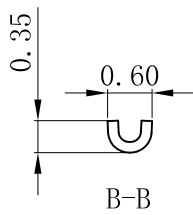
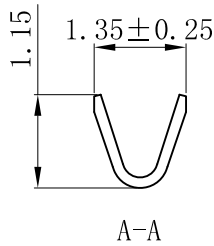
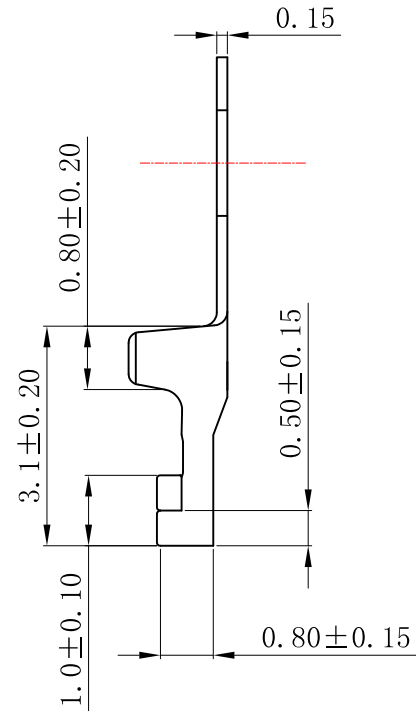
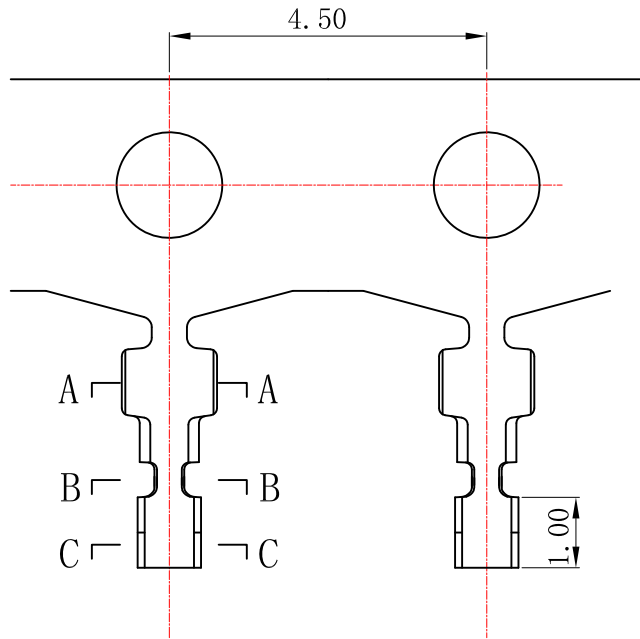


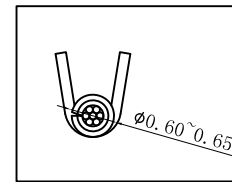
JVT4005T

4005 Substrate terminal

JVT4005TP-SNX  
 Logo  
 Series NO.  
 T-Terminal  
 P-Phosphor bronze  
 S-Stamping before Plating  
 E-Plating before stamping  
 Tin Plated



Schematic diagram after riveting



JVT4005TP-SNX	Phosphor	Tin-plated	30AWG	0.70mm MAX	NA
PART NO	Material	Finish(Pin)	Wire Range	Insulation O.D.	Mates With Part(s)