

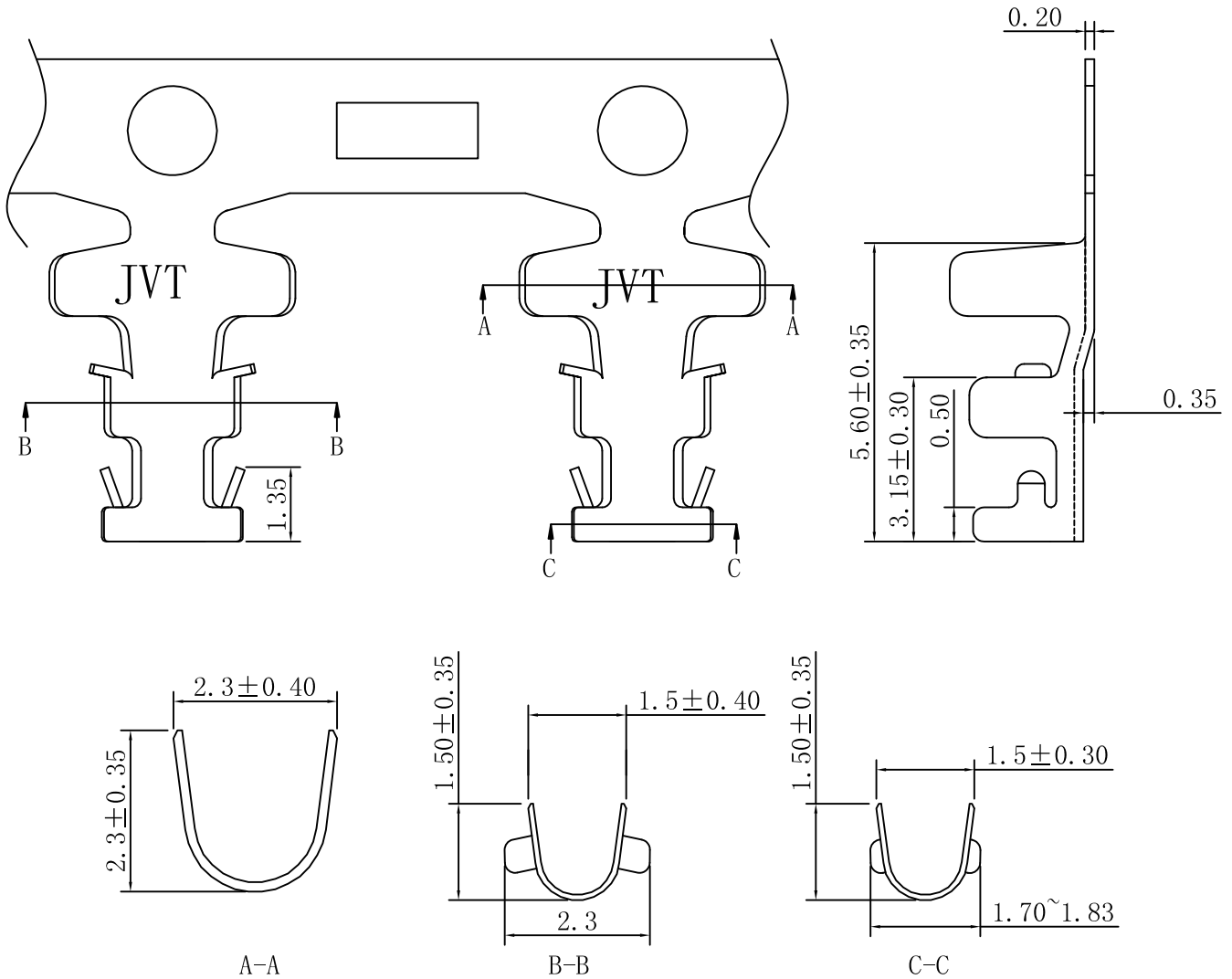
JVT1612T

1612 Substrate terminal

JVT1612TX-SNS-ZH

Logo
Series NO.
T-Terminal
B-Brass
P-Phosphor
bronze

S-Stamping
before Plating
SN-Tin Plated



JVT1612TX-SNS-ZH	Brass Phosphor bronze	Tin Plated	22AWG-26AWG	1.60mm MAX	NA
PART NO	Material	Finish(Pin)	Wire Range	Insulation O.D.	Mates With Part(s)