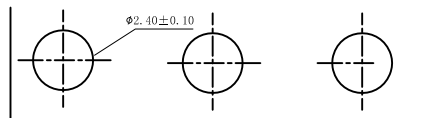
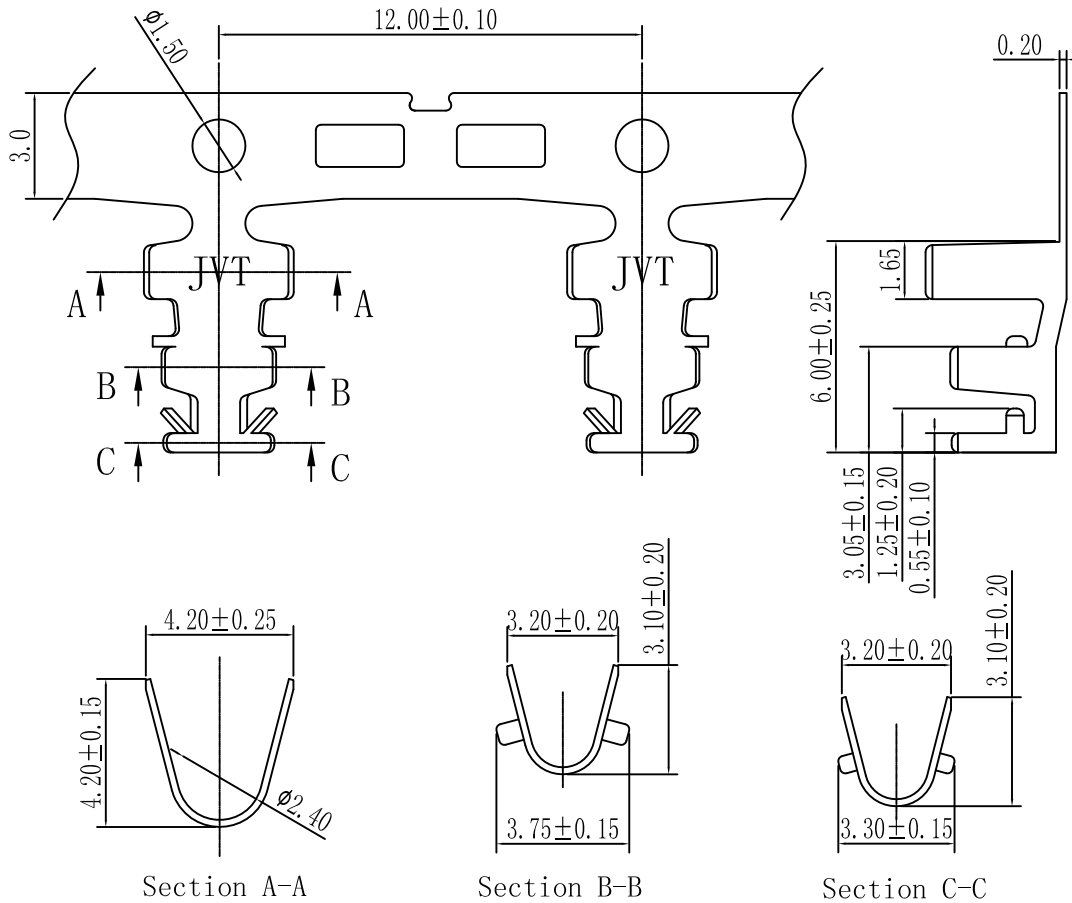


JVT2411T

2411 Substrate terminal

JVT2411TP-SNS
 Logo—
 Series NO.—
 T-Terminal—
 P-Phosphor—
 bronze
 S-Stamping
 before Plating
 SN-Tin Plated



Recommended p.c Board Layout
 Applicable P.C.B. thickness 2.40mm

JVT2411TP-SNS	Phosphor bronze	Tin-plated	14AWG-18AWG	2.6mm MAX	NA
PART NO	Material	Finish(Pin)	Wire Range	Insulation O.D.	Mates With Part(s)