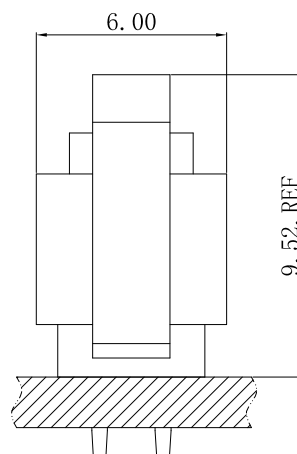


## Specifications

- Voltage rating: 125V AC, DC
- Current Rating: 2A, AC, DC
- Withstand voltage: 500V AC/minute
- Contact resistance: 40mΩ max
- Insulation resistance: 1000mΩ min
- Temperature range: -40°C ~ +105°C
- \*Suitable JVT2064T series Terminal  
JVT2064W series Wafer
- Compliant with RoHS and REACH  
Contact JVT for details

## Assembly layout



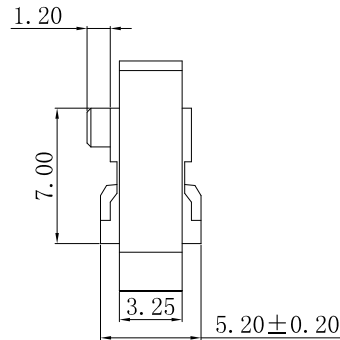
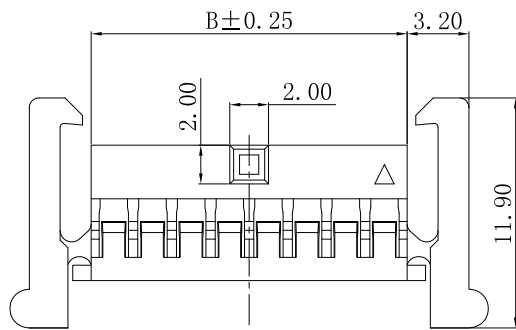
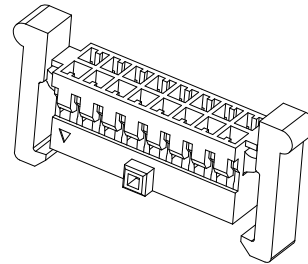
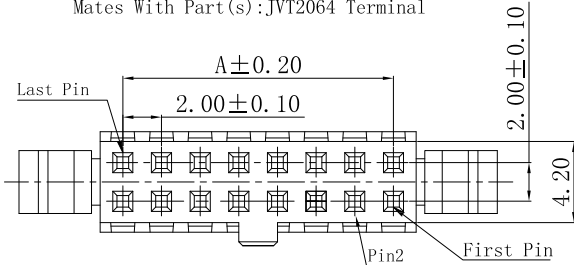
**JVT2064H**

2.0mm Pitch housing

HOUSING

Part No. : JVT2064HN0-2\*XXBKDL  
Material: Nylon 66 UL94V-0 Black  
Mates With Part(s): JVT2064 Terminal

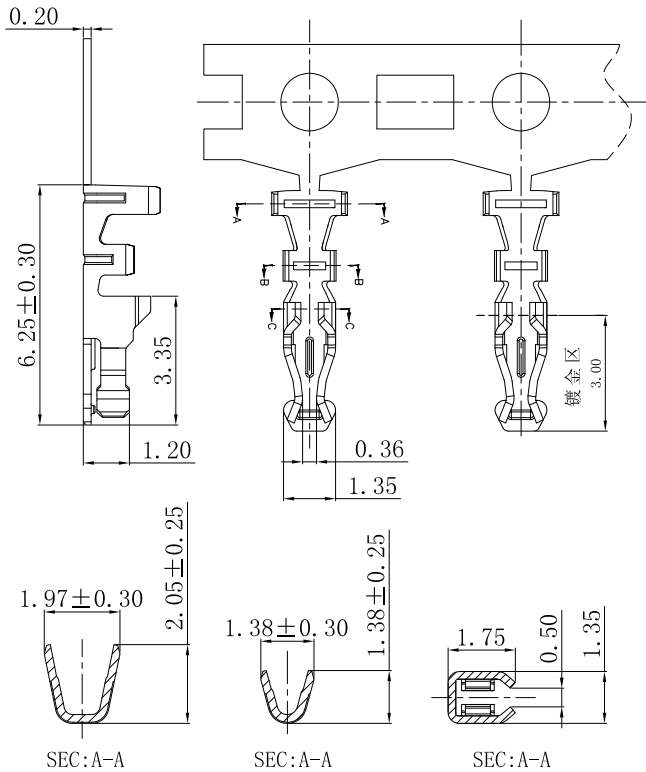
JVT2064HN0-2\*XXBKDL  
Logo  
Series NO.  
Housing  
PA66 UL94V-0  
Buckle on both sides  
BK-Black  
Pin NO.



Pos NO.	DIMENSION	
	A	B
2*02	2.00	4.35
2*03	4.00	6.35
2*04	6.00	8.35
2*05	8.00	10.35
2*06	10.00	12.35
2*07	12.00	14.35
2*08	14.00	16.35
2*09	16.00	18.35
2*10	18.00	20.35
2*11	20.00	22.35
2*12	22.00	24.35
2*13	24.00	26.35
2*14	26.00	28.35
2*15	28.00	30.35
2*16	30.00	32.35
2*17	32.00	34.35
2*18	34.00	36.35
2*19	36.00	38.35
2*20	38.00	40.35

**JVT2064T**

2.0mm Pitch Crimp Terminal

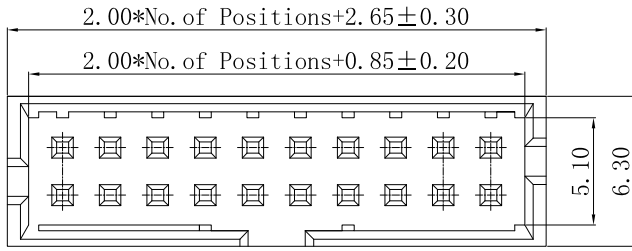


JVT2064TP-GPS  
Logo  
Series NO.  
T-Terminal  
P-Phosphor bronze  
S-Stamping before Plating  
GP-Gold plating

JVT2064TP-GPS	Phos Bronze	Tin Plated	AWG#24~30	1.4mm(Max)	JVT2064 HOUSING
PART NO	Material	Finish(Pin)	Wire Range	Insulation O.D.	Mates With Part(s)

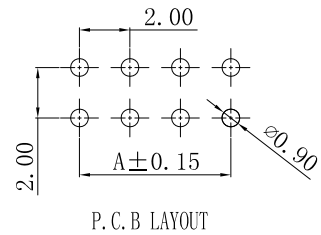
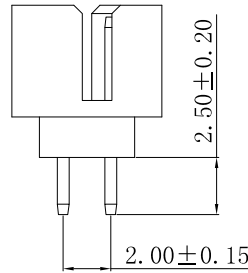
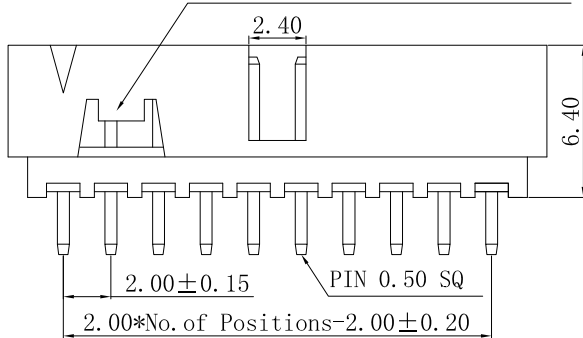
JVT2064W

2.0mm Pitch 180°Wafer-DIP TYPE



JVT2064W6T-2XXGABK-D  
Logo  
Series NO.  
Wafer  
PA6T  
DIP  
Black  
GA-Gold plating  
Pin NO.

Below 2\*07PIN, this bow-shaped incision will be cancelled



JVT2064W6T-2XXGABK-D	PA6T UL94V-0	Brass	Gold plating	JVT2064 Housing
PART NO	Material	Material(Pin)	Finish(Pin)	Mates With Part(s)