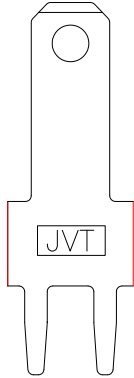


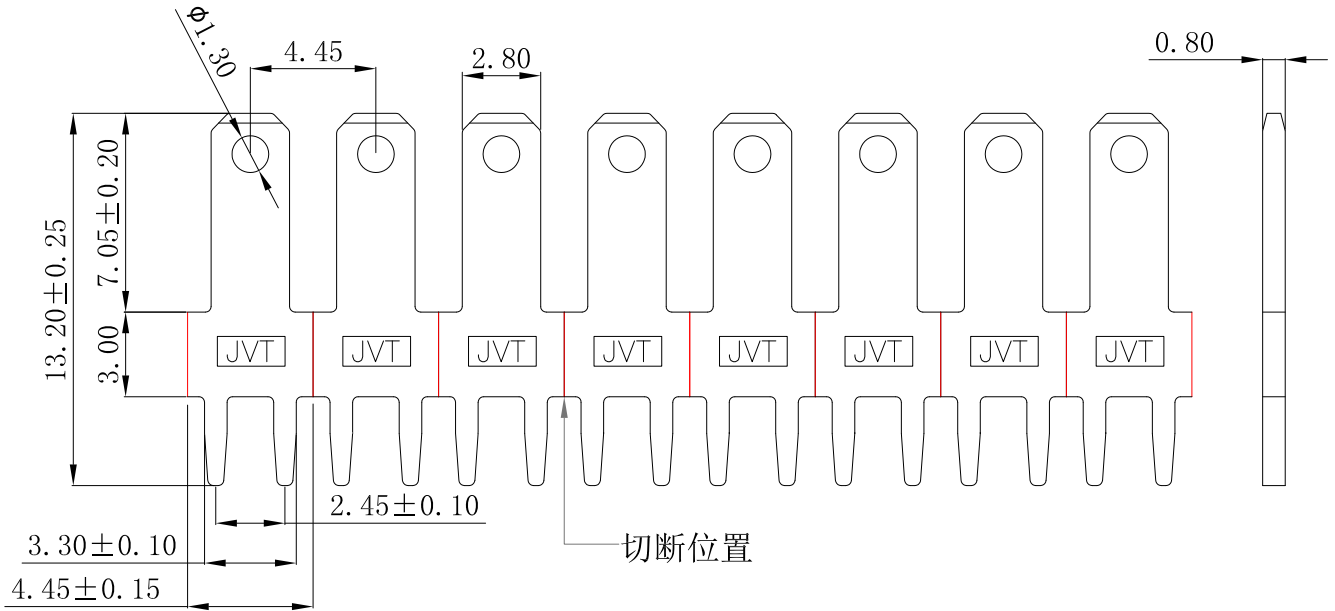
JVT110T

110 Male TER



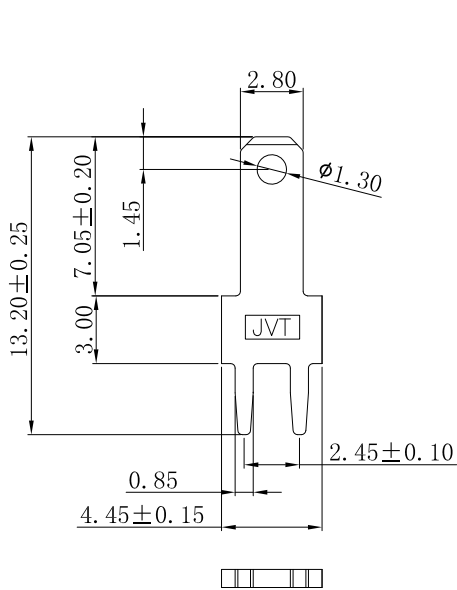
单粒示图

JVT110TB-SNSM-280
 Logo
 Series NO.
 T-Terminal
 B-Brass
 Width: 2.80mm
 Male terminal
 Stamping before Plating
 Tin Plated

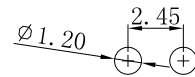


JVT110TB-SNSM-280	Brass	Tin Plated	NA	NA	NA
PART NO	Material	Finish(Pin)	Wire Range	Insulation O.D.	Mates With Part(s)

JVT110T — 110 Male TER —



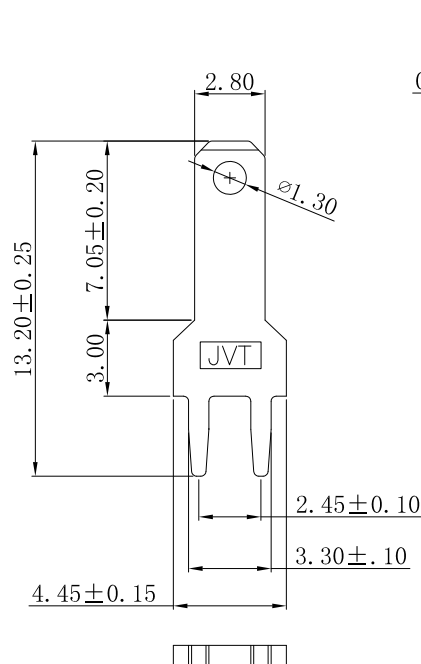
JVT110TB-SNSM-280
Logo
Series NO.
TER
B-Brass
Insert the width: 2.80mm
Male TER
Stamping before Plating
Tin-plated



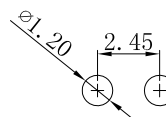
Recommend P. C. B Layout

JVT110TB-SNSM-280	Brass	Tin Plated	NA	NA	NA
PART NO	Material	Finish(Pin)	Wire Range	Insulation O.D.	Mates With Part(s)

JVT110T — 110 Male TER —



JVT110TB-HSNSM-280-D-01
Logo
Series NO.
TER
B-Brass
Insert the width: 2.80mm
The male side
Stamping before Plating
High temperature tin plating

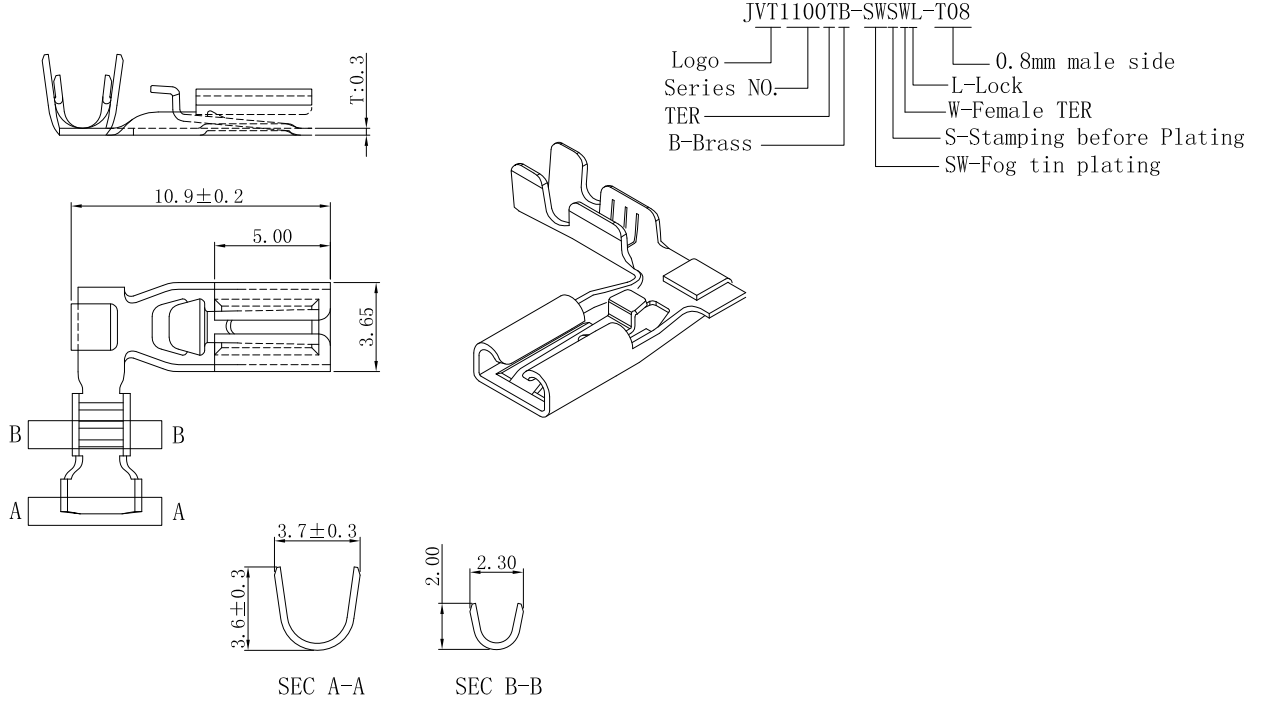


Recommend P. C. B Layout

JVT110TB-HSNSM-280-D-01	Brass	Tin Plated	NA	NA	NA
PART NO	Material	Finish(Pin)	Wire Range	Insulation O.D.	Mates With Part(s)

JVT110T

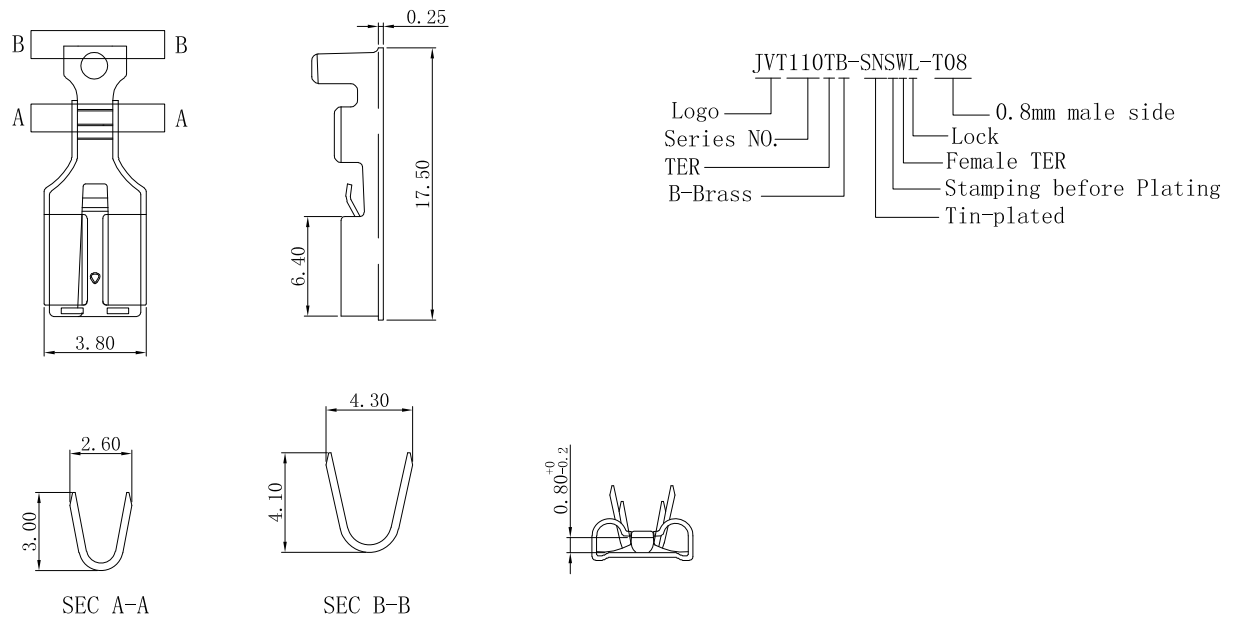
110 FEMALE TER



JVT110TB-SNSW	Brass	Tin Plated	18-22AWG	2.80mmMAX	JVT110T
PART NO	Material	Finish(Pin)	Wire Range	Insulation O.D.	Mates With Part(s)

JVT110T

110 FEMALE TER



JVT110TB-SNSW-T05	Brass	Tin Plated	16-20AWG	NA	NA
PART NO	Material	Finish(Pin)	Wire Range	Insulation O.D.	Mates With Part(s)