

## Specifications

---

- Voltage rating: 250V AC, DC
- Current Rating: 3A, AC, DC
- Withstand voltage: 1000V AC/minute
- Contact resistance: 20mΩ max
- Insulation resistance: 1000MΩ min
- Temperature range: -40°C ~ +105°C
- \*Suitable JVT2549T series Terminal  
Compliant with RoHS and REACH
- Contact JVT for details

**JVT2549H**

2.54mm Pitch housing

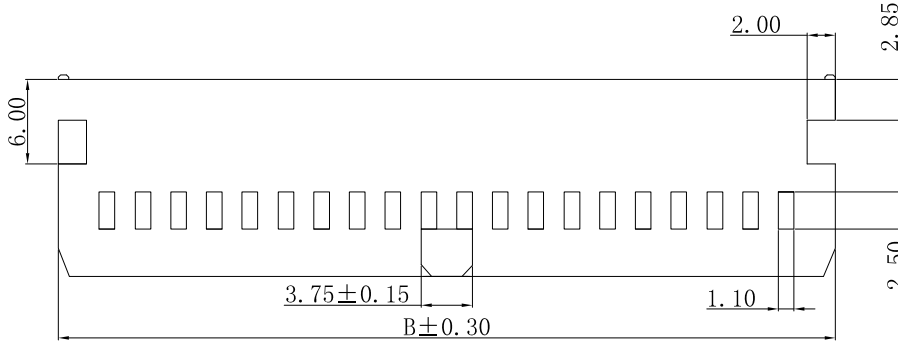
HOUSING

Part No. : JVT2549HPT-2\*XX

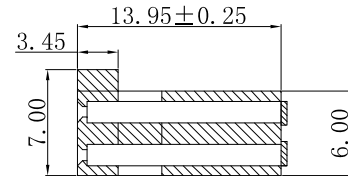
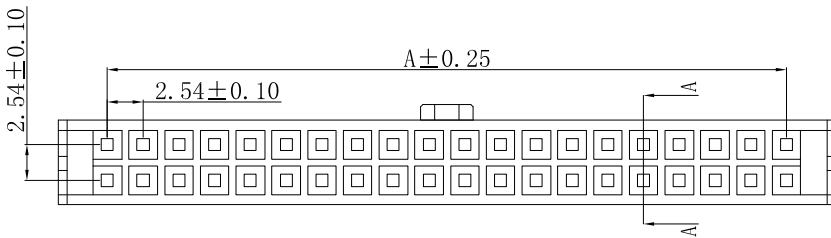
Material: PBT UL94V-0

Mates With Part(s): JVT2549 Terminal

JVT2549HPT-2\*XX  
Logo Series NO. Housing Pin NO. PBT



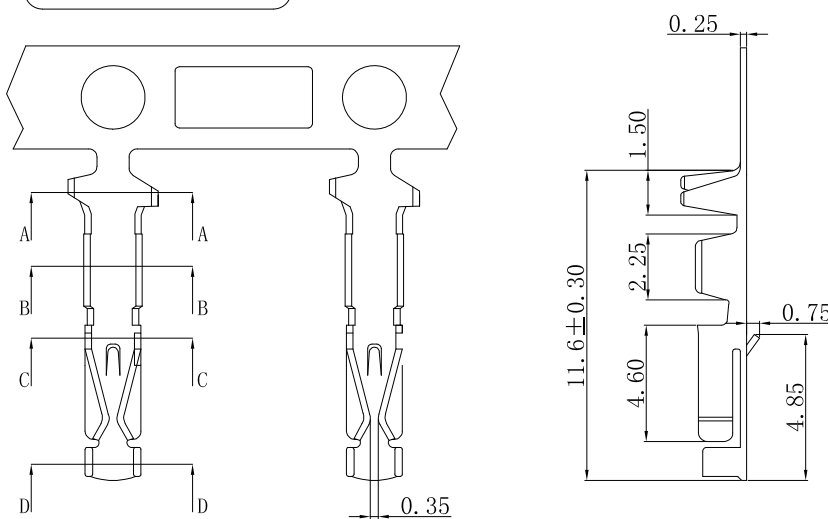
Poles	DIM		Poles	DIM	
	A	B		A	B
2*02	2.54	9.48	2*18	43.18	50.12
2*03	5.08	12.02	2*19	45.72	52.66
2*04	7.62	14.56	2*20	48.26	55.20
2*05	10.16	17.10	2*21	50.80	57.74
2*06	12.70	19.64	2*22	53.34	60.28
2*07	15.24	22.18	2*23	55.88	62.82
2*08	17.78	24.72	2*24	58.42	65.36
2*09	20.32	27.26	2*25	60.96	67.90
2*10	22.86	29.80	2*26	63.50	70.44
2*11	25.40	32.34	2*27	66.04	72.98
2*12	27.94	34.88	2*28	68.58	75.52
2*13	30.48	37.42	2*29	71.12	78.06
2*14	33.02	39.96	2*30	73.66	80.60
2*15	35.56	42.50	2*31	76.20	83.14
2*16	38.10	45.04	2*32	78.74	85.68
2*17	40.64	47.58			



SEC: A-A

**JVT2549T**

2.54mm Pitch Crimp Terminal



JVT2549TP-XXX  
Logo Series NO. S-Stamping before Plating T-Terminal E-Plating before stamping P-Phosphor bronze SN-Tin Plated GA-All gold plating

SEC: A-A

SEC: B-B

SEC: C-C

SEC: D-D

JVT2549TP-SNS	Phos Bronze	Tin Plated	AWG#22~28	1.60mm(Max)	JVT2549 HOUSING
JVT2549TP-GAS		All gold plating			
PART NO	Material	Finish(Pin)	Wire Range	Insulation O.D.	Mates With Part(s)