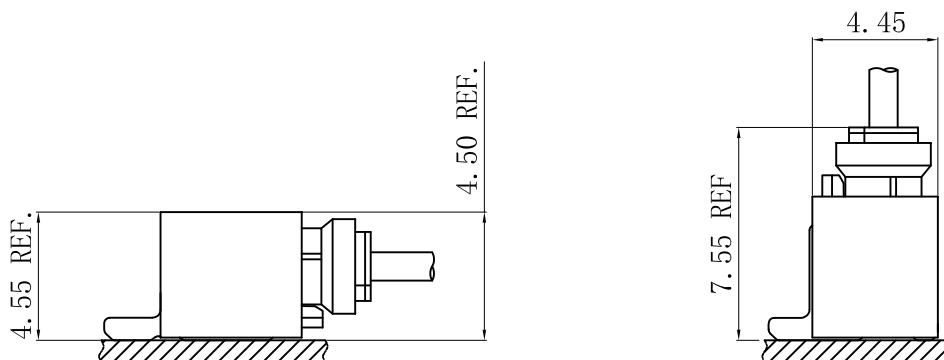


Specifications

- Voltage rating: 250V AC, DC
- Current Rating: 3A, AC, DC
- Withstand voltage: 500V AC/minute
- Contact resistance: 20mΩ max
- Insulation resistance: 1000MΩ min
- Temperature range: -40°C ~ +105°C
- Compliant with RoHS and REACH
- Contact JVT for details

Assembly layout



JVT1502 SERIES

1.5mm pitch wire to board connector

JVT1502H

1.5mm Pitch housing

HOUSING

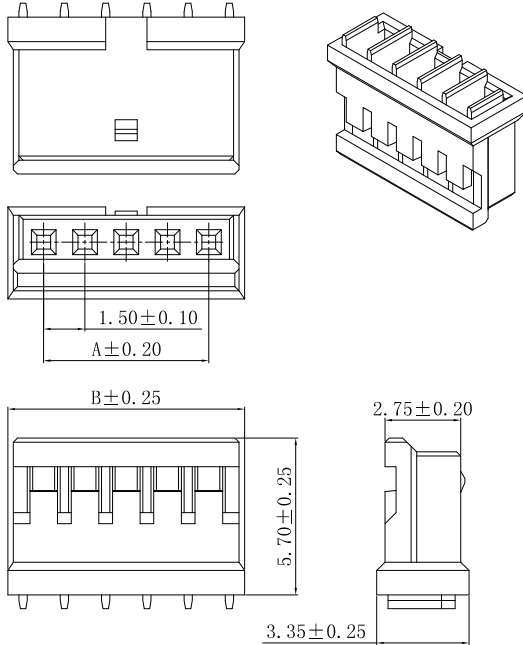
Part No. : JVT1502HN0-XXXX

Material: Nylon 66 UL94V-0

Mates With Part(s): JVT1502 Terminal

JVT1502HN0-XXXX

Logo
Series NO.
Housing
BK-Black
WH-White
Pin NO.
PA66 UL94V-0

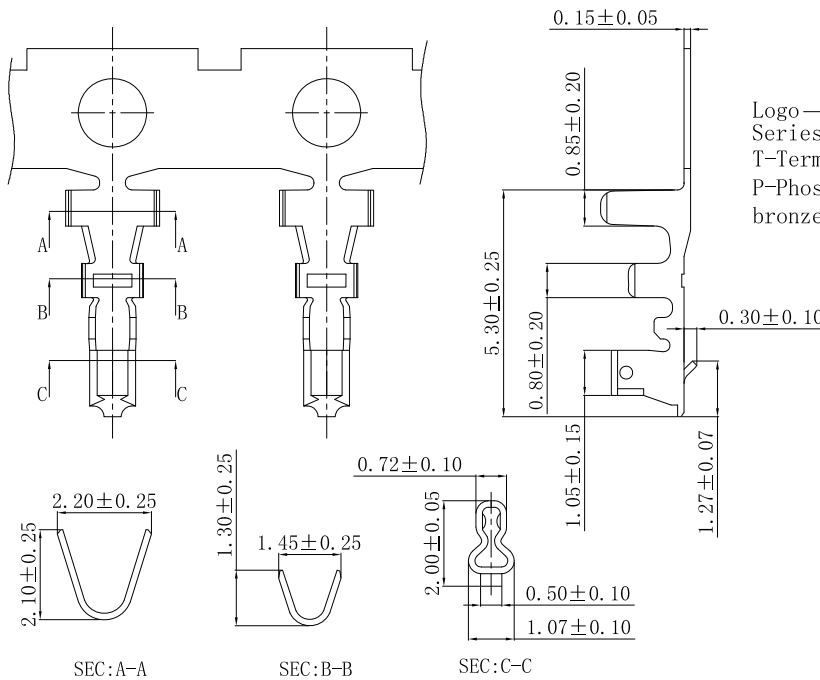


Poles	Dimensions (mm)		Poles	Dimensions (mm)	
	A	B		A	B
02	1.50	4.10	09	12.00	14.60
03	3.00	5.60	10	13.50	16.10
04	4.50	7.10	11	15.00	17.60
05	6.00	8.60	12	16.50	19.10
06	7.50	10.10	13	18.00	20.60
07	9.00	11.60	14	19.50	22.10
08	10.50	13.10	15	21.00	23.60

Unit:mm

JVT1502T

1.5mm Pitch Crimp Terminal



JVT1502TP-SNX-B

Logo
Series NO.
T-Terminal
P-Phosphor bronze
B Mode
S-Stamping before Plating
E-Plating before stamping
Tin Plated

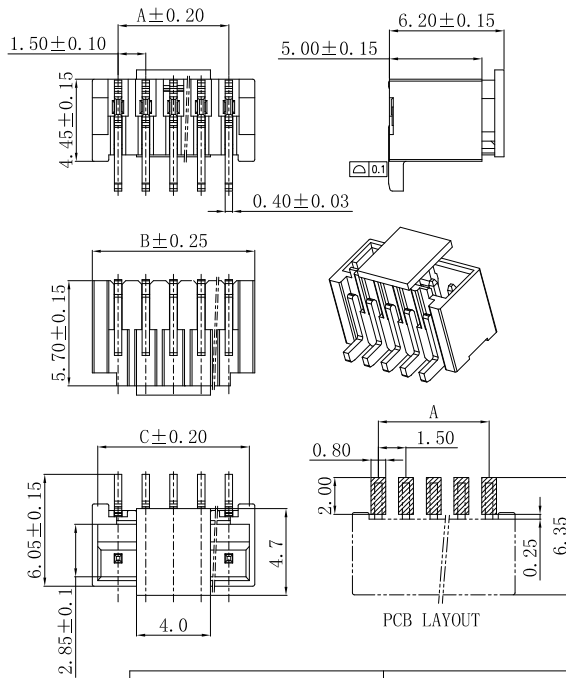
JVT1502TP-SNX-B	Phos Bronze	Tin Plated	AWG#24~28	1.2mm(Max)	JVT1502 HOUSING
PART NO	Material	Finish(Pin)	Wire Range	Insulation O.D.	Mates With Part(s)

JVT1502 SERIES

1.5mm pitch wire to board connector

JVT1502W

1.5mm Pitch Wafer-SMT TYPE



JVT1502WLP-XXSNC-S
Logo
Series NO.
Wafer
LCP UL94V-0
SMT
Cap
Tin Plated
Pin NO.

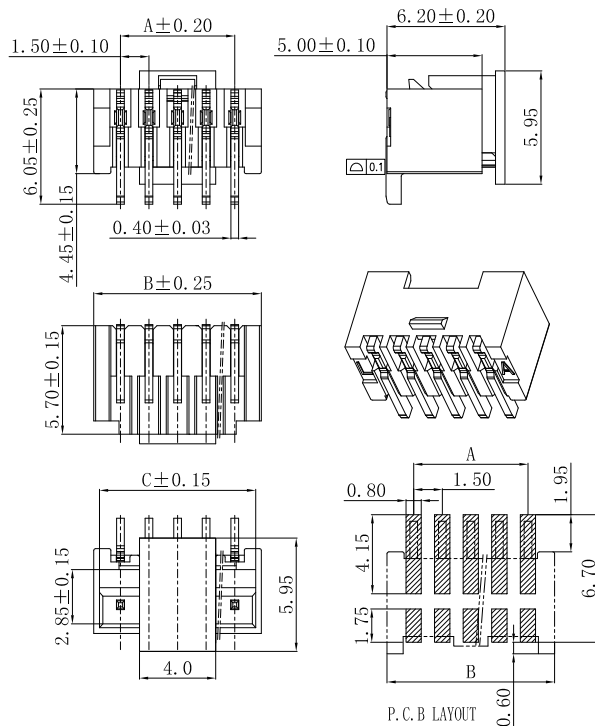
Poles	Dimensions (mm)		
	A	B	C
02	1.50	4.30	3.70
03	3.00	5.80	5.20
04	4.50	7.30	6.70
05	6.00	8.80	8.20
06	7.50	10.30	9.70
07	9.00	11.80	11.20
08	10.50	13.30	12.70
09	12.00	14.80	14.20
10	13.50	16.30	15.70
11	15.00	17.80	17.20
12	16.50	19.30	18.70
13	18.00	20.80	20.20
14	19.50	22.30	21.70
15	21.00	23.80	23.20

Unit:mm

JVT1502WLP-XXSNC-S	LCP UL94V-0	Brass	Tin plated	JVT1502 Housing
PART NO	Material	Material(Pin)	Finish(Pin)	Mates With Part(s)

JVT1502W

1.5mm Pitch Wafer-SMT TYPE



JVT1502WLP-XXSNCL-S
Logo
Series NO.
Wafer
LCP UL94V-0
SMT
L-Lock
C-Cap
SN-Tin Plated
Pin NO.

Poles	Dimensions (mm)		
	A	B	C
02	1.50	4.30	3.70
03	3.00	5.80	5.20
04	4.50	7.30	6.70
05	6.00	8.80	8.20
06	7.50	10.30	9.70
07	9.00	11.80	11.20
08	10.50	13.30	12.70
09	12.00	14.80	14.20
10	13.50	16.30	15.70
11	15.00	17.80	17.20
12	16.50	19.30	18.70
13	18.00	20.80	20.20
14	19.50	22.30	21.70
15	21.00	23.80	23.20

Unit:mm

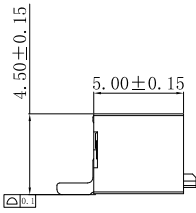
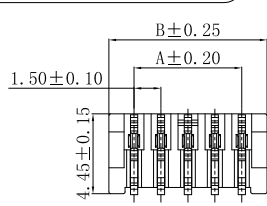
JVT1502WLP-XXSNCL-S	LCP UL94V-0	Phos Bronze	Tin Plated	JVT1502 Housing
PART NO	Material	Material(Pin)	Finish(Pin)	Mates With Part(s)

JVT1502 SERIES

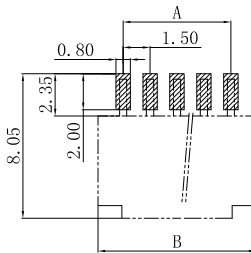
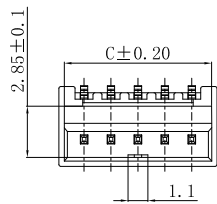
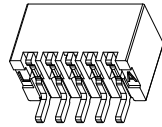
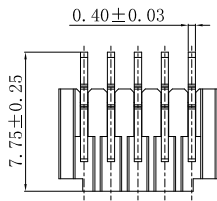
1.5mm pitch wire to board connector

JVT1502W

1.5mm Pitch 90° Wafer-SMT TYPE



JVT1502WLP-XXSNR-S
Logo
Series NO.
Wafer
LCP UL94V-0
SMT
R-R Right Angle 90°
Tin Plated
PIN NO.



PCB LAYOUT

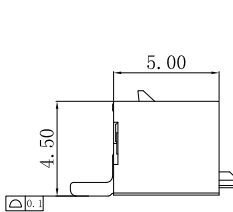
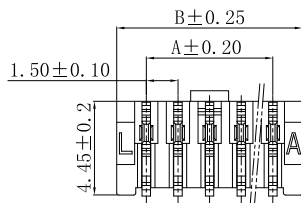
Poles	Dimensions (mm)		
	A	B	C
02	1.50	4.30	3.70
03	3.00	5.80	5.20
04	4.50	7.30	6.70
05	6.00	8.80	8.20
06	7.50	10.30	9.70
07	9.00	11.80	11.20
08	10.50	13.30	12.70
09	12.00	14.80	14.20
10	13.50	16.30	15.70
11	15.00	17.80	17.20
12	16.50	19.30	18.70
13	18.00	20.80	20.20
14	19.50	22.30	21.70
15	21.00	23.80	23.20

Unit:mm

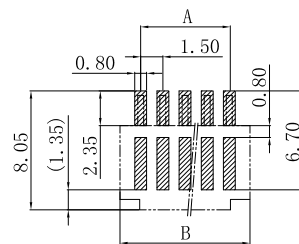
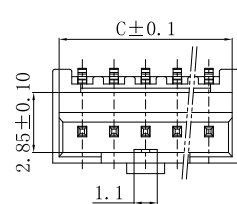
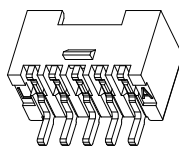
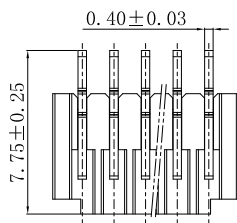
JVT1502WLP-XXSNR-S	LCP UL94V-0	Brass	Tin plated	JVT1502 Housing
PART NO	Material	Material(Pin)	Finish(Pin)	Mates With Part(s)

JVT1502W

1.5mm Pitch 90° Wafer-SMT TYPE



JVT1502WLP-XXSNRL-S
Logo
Series NO.
Wafer
LCP UL94V-0
SMT
L-Lock
R-Right Angle 90°
Tin Plated
Pin NO.



SUGGESTED PCB LAYOUT

Poles	Dimensions (mm)		
	A	B	C
02	1.50	4.30	3.70
03	3.00	5.80	5.20
04	4.50	7.30	6.70
05	6.00	8.80	8.20
06	7.50	10.30	9.70
07	9.00	11.80	11.20
08	10.50	13.30	12.70
09	12.00	14.80	14.20
10	13.50	16.30	15.70
11	15.00	17.80	17.20
12	16.50	19.30	18.70
13	18.00	20.80	20.20
14	19.50	22.30	21.70
15	21.00	23.80	23.20

Unit:mm

JVT1502WLP-XXSNRL-S	LCP UL94V-0	Brass	Tin plated	JVT1502 Housing
PART NO	Material	Material(Pin)	Finish(Pin)	Mates With Part(s)