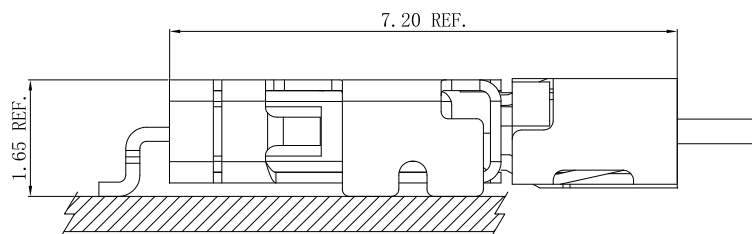


Specifications

- Voltage rating: 100V AC, DC
- Current Rating: 1A, AC, DC
- Withstand voltage: 300V AC/minute
- Contact resistance: 30m Ω max
- Insulation resistance: 500m Ω min
- Temperature range: -40 $^{\circ}$ C ~ +105 $^{\circ}$ C
- Compliant with RoHS and REACH
- Contact JVT for details

Assembly layout



JVT1019 SERIES

1.0mm pitch wire to board connector

JVT1019H

1.0mm Pitch housing

HOUSING

Part No. : JVT1019HNO-XX

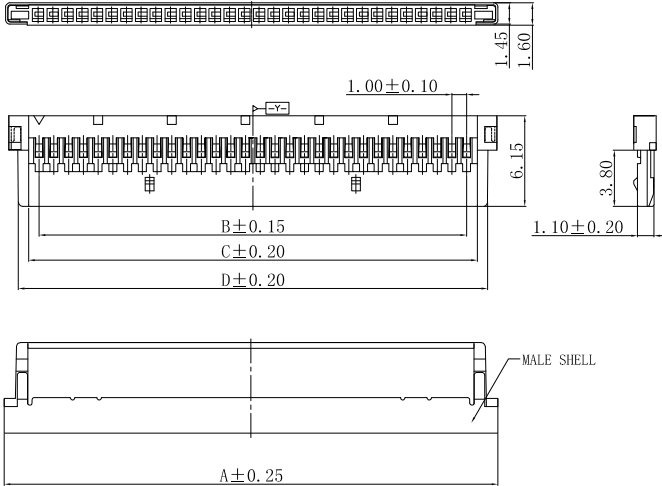
Material: Nylon 66 UL94V-0

Mates With Part(s): JVT1019 Terminal

JVT1019HNO-XX

Logo
Series NO.
Housing

Pin NO.
PA66 UL94V-0

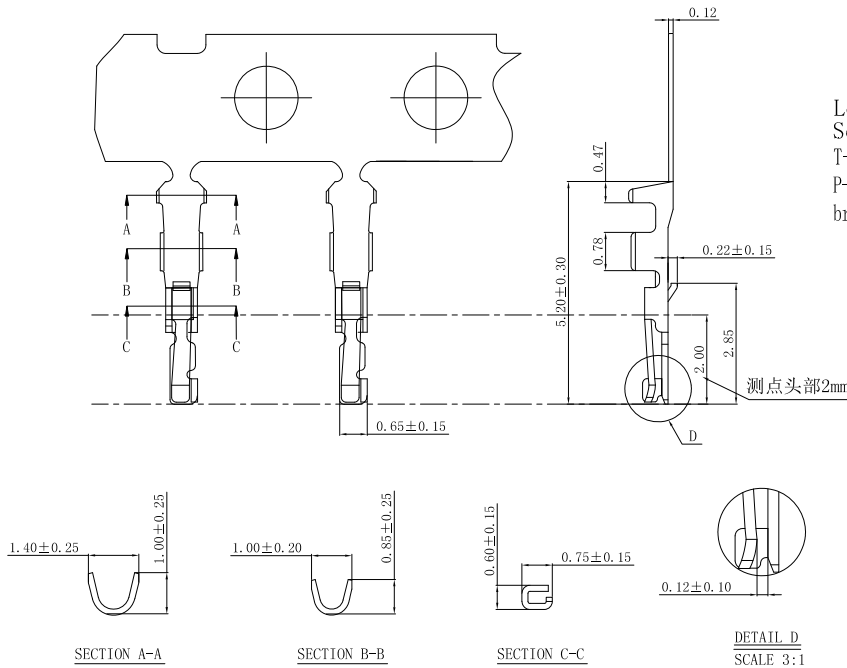


Poles	Dimensions			
	A	B	C	D
08	11.50	7.00	8.44	9.90
14	17.50	13.00	14.44	15.90
20	23.50	19.00	20.44	21.90
30	33.50	29.00	30.44	31.90

Unit:mm

JVT1019T

1.0mm Pitch Crimp Terminal



JVT1019TP-GAS

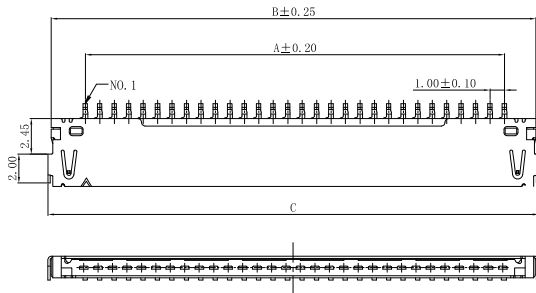
Logo
Series NO.
T-Terminal
P-phosphor bronze

S-Stamping before Plating
GA-Gold Plated

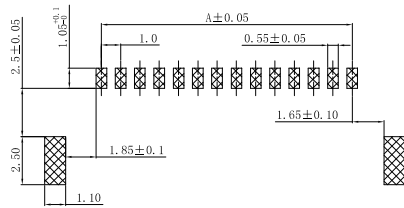
JVT1019TP-GAS	Phos Bronze	Gold Plated	AWG#28~32	0.75mm(Max)	JVT1019 HOUSING
PART NO	Material	Finish(Pin)	Wire Range	Insulation O.D.	Mates With Part(s)

JVT1019W

1.0mm Pitch 90° Wafer-SMT TYPE



JVT1019WXX-XXGAR-S
 Logo
 Series NO.
 Wafer
 LP-LCP
 9T-PA9T
 S-SMT
 R-Right Angle 90°
 GA-Gold plating
 Pin NO.



Recommended PCB LAYOUT

Poles	A	B	C
14	13.00	17.55	17.95
20	19.00	23.55	23.95
30	29.00	33.55	33.95

Unit:mm

JVT1019W9T-XXGAR-S	PA9T UL94V-0	Copper alloy	Gold Plated	Copper alloy	JVT1019 Housing
JVT1019WLP-XXSNR-S	LCP UL94V-0		Tin Plated		JVT1019 Housing
PART NO	Material	Material(Pin)	Finish(Pin)	Material (Solder Tabs)	Mates With Part(s)