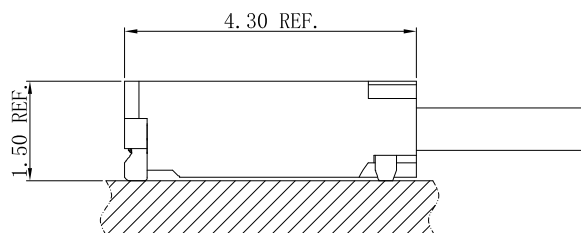


Specifications

- Voltage rating: 50V AC, DC
- Current Rating: 2A, AC, DC
- Withstand voltage: 500V AC/minute
- Contact resistance: 20mΩ max
- Insulation resistance: 100mΩ min
- Temperature range: -40°C ~ +105°C
- Compliant with RoHS and REACH
- Contact JVT for details

Assembly layout



JVT1201 SERIES

1.2mm pitch wire to board connector

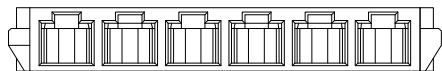
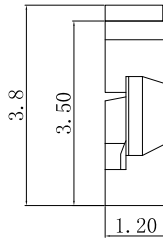
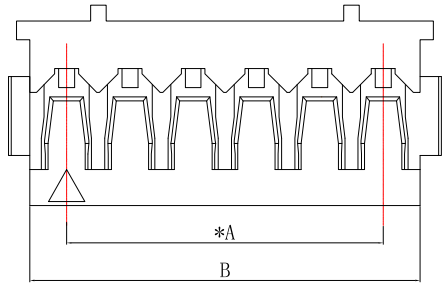
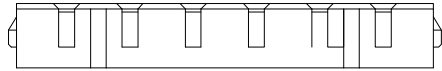
JVT1201H — 1.2mm Pitch housing

HOUSING

Part No. : JVT1201HN0-XX

Material: Nylon 66 UL94V-0

Mates With Part(s): JVT1201 Terminal

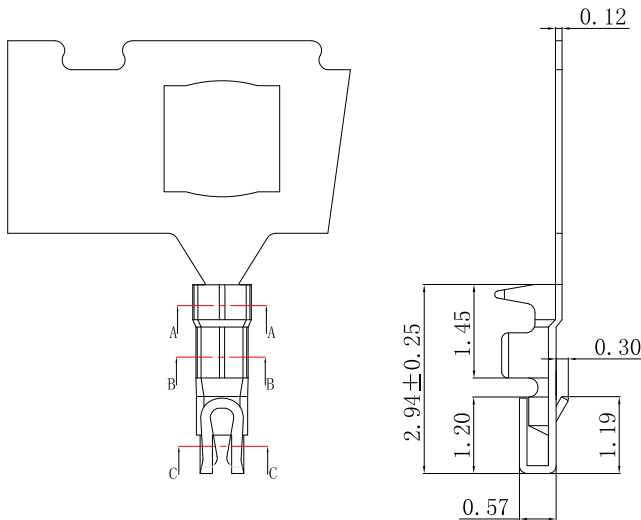


JVT1201HN0-XX
Logo — Series NO. — Housing — Pin NO. — PA66 UL94V-0

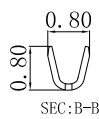
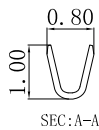
Poles	Dimensions (mm)	
	A	B
01	—	1.40
02	1.20	2.60
03	2.40	3.80
04	3.60	5.00
05	4.80	6.20
06	6.00	7.40
07	7.20	8.60
08	8.40	9.80
09	9.60	11.00
10	10.80	12.20
11	12.00	13.40
12	13.20	14.60
13	14.40	15.80
14	15.60	17.00
15	16.80	18.20

Unit:mm

JVT1201T — 1.2mm Pitch Crimp Terminal



JVT1201TP-GAS
Logo — Series NO. — T-Terminal — P-Phosphor bronze — Stamping before Plating — All gold plating



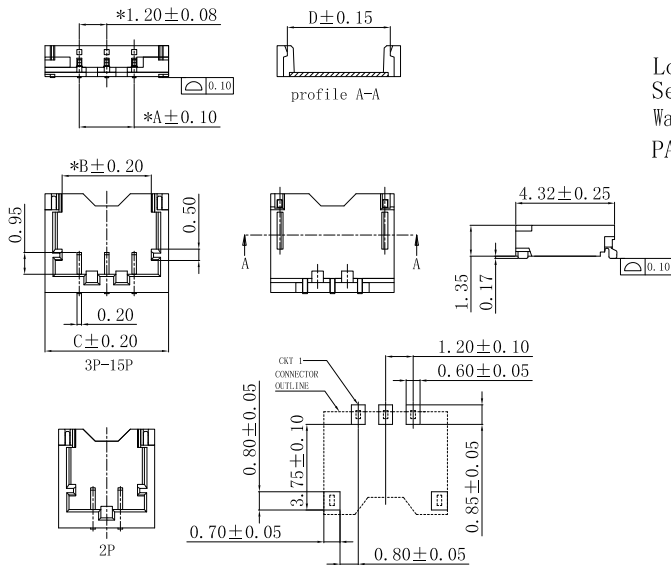
JVT1201TP-GAS	Phos Bronze	Gold Plated	AWG#28~32	0.63mm (Max)	JVT1202 HOUSING
PART NO	Material	Finish (Pin)	Wire Range	Insulation O.D.	Mates With Part(s)

JVT1201 SERIES

1.2mm pitch wire to board connector

JVT1201W

1.2mm Pitch 90° Wafer-SMT TYPE



JVT1201W6T-XXGAR-S
 Logo
 Series NO.
 Wafer
 PA6T UL94V-0
 SMT
 R-Right Angle 90°
 GA-All gold plating
 Pin NO.

Poles	Dimensions (mm)			
	A	B	C	D
02	1.20	2.70	4.20	3.20
03	2.40	3.90	5.40	4.40
04	3.60	5.10	6.60	5.60
05	4.80	6.30	7.80	6.80
06	6.00	7.50	9.00	8.00
07	7.20	8.70	10.20	9.20
08	8.40	9.90	11.40	10.40
09	9.60	11.10	12.60	11.60
10	10.80	12.30	13.80	12.80
11	12.00	13.50	15.00	14.00
12	13.20	14.70	16.20	15.20
13	14.40	15.90	17.40	16.40
14	15.60	17.10	18.60	17.60
15	16.80	18.30	19.80	18.80

Unit:mm

RECOMMENDED PCB LAYOUT
GENERAL TOLERANCE ±0.05

JVT1201W6T-XXGAR-S	PA6T UL94V-0	Phos Bronze	Gold Plated	Phos Bronze	Gold Plated	JVT1201 Housing
PART NO	Material	Material (Pin)	Finish (Pin)	Material (Solder Tabs)	Finish (Solder Tabs)	Mates With Part(s)